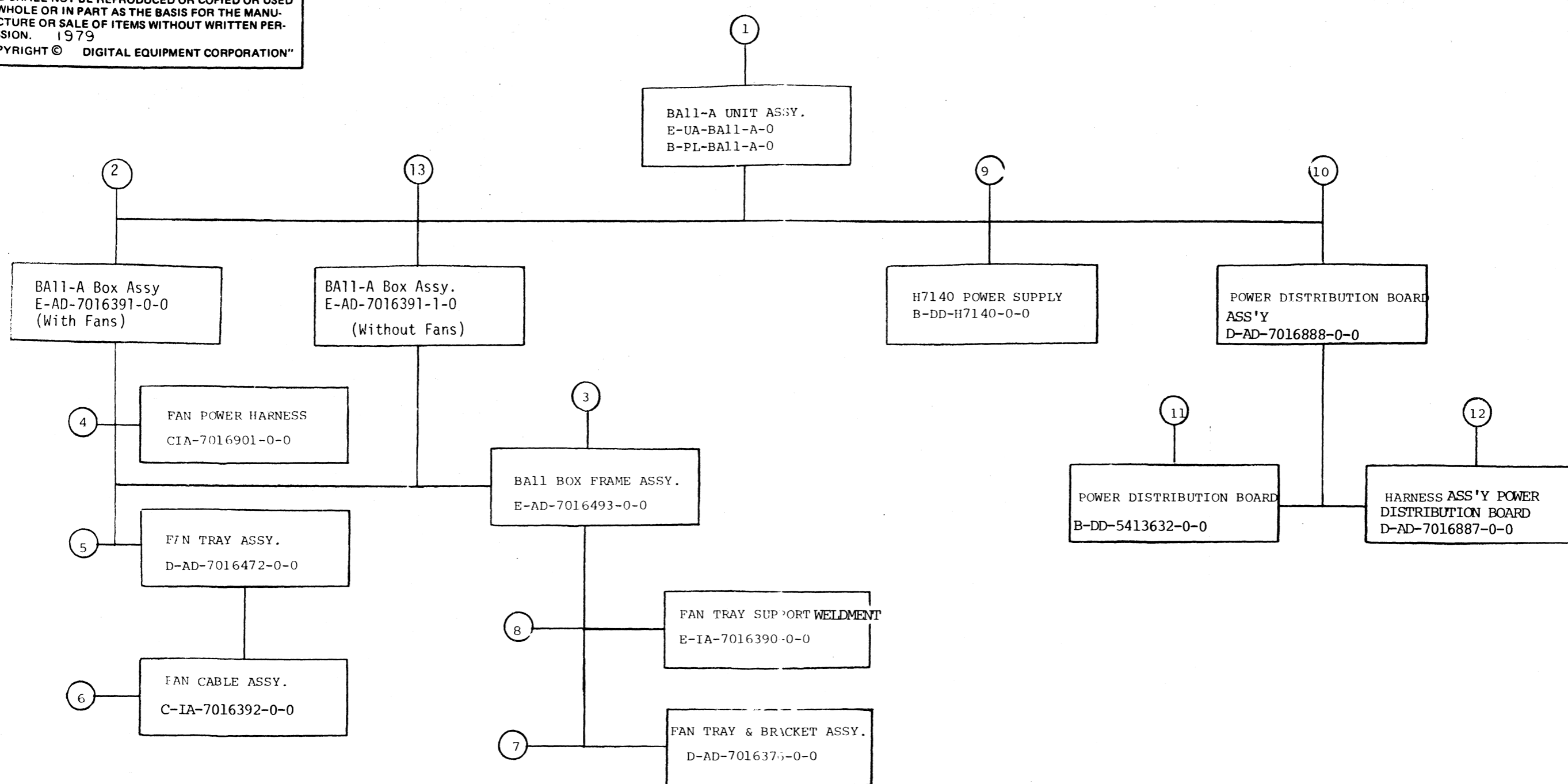


"THIS DRAWING AND SPECIFICATIONS, HEREIN, ARE THE PROPERTY OF DIGITAL EQUIPMENT CORPORATION AND SHALL NOT BE REPRODUCED OR COPIED OR USED IN WHOLE OR IN PART AS THE BASIS FOR THE MANUFACTURE OR SALE OF ITEMS WITHOUT WRITTEN PERMISSION. 1979
 COPYRIGHT © DIGITAL EQUIPMENT CORPORATION"

REV. | 0-A-1118 | BDD | B | SIZE CODE NUMBER



TITLE	BALL-A UNIT ASSY.	SIZE CODE	BDD	NUMBER	BALL-A -0	REV	*
SHEET 2 OF 3							

FIND NO.	DRAWING NO.	DESCRIPTION	TYPE	FIND NO.	DRAWING NO.	DESCRIPTION	TYPE
1	E-UA-Ball-A-0	Ball-A UNIT ASSY.	E/M	9	B-DD-H7140-0-0	H7140 POWER SUPPLY DRAWING DIRECTORY	REF
	B-PL-Ball-A-0	Ball-A PARTS LIST	REF				
2	E-AD-7016391-0-0	Ball-A BOX ASSY. (with fans)	E/M	10	D-AD-7016888-0-0	POWER DISTRIBUTION BOARD ASSY.	E/M
	D-PS-1216189-0-0	RETRACTOR SLIDE PAWL	M	11	B-DD-5413632-0-0	POWER DISTRIBUTION BOARD	E
	B-PS-1216190	SPRING SLIDE PAWL	M	12	D-AD-7016887	CABLE HARNESS ASS'Y POWER DISTRIBUTION BOARD	E
	B-MD-7421611-0-0	SLIDE PAWL	M				
	B-MD-7421444-0-0	PLATE SLIDE NUT	M				
	D-MD-7421613-0-0	SLIDE INDEX PLATE (2)	M				
	B-PS-1216197-0-0	PIVOT SCREW	M				
	D-PS-1215848-0-0	CARD GUIDE	M				
	B-MD-7421612-0-0	BAR GUIDE MNTING	M	13	E-AD-7016391-1-0	Ball-A Box Assy, Without fans (Reference only)	REF
3	E-MD-7016493-0-0	Ball BOX FRAME ASSY.	M				
	E-MD-7421631-0-0	SIDE PANEL LEFT	M				
	E-MD-7421441-0-0	CARD CAGE FRONT	M				
	D-MD-7421616-0-0	SPRING BOX LOCK	M				
	E-MD-7421610-0-0	SIDE PANEL RIGHT	M				
4	C-IA-7016901-0-0	FAN POWER HARNESS	E				
5	D-AD-7016472-0-0	FAN TRAY ASSY.	E/M				
6	D-IA-7016392-0-0	FAN CABLE ASSY.	E				
7	D-AD-7016376-0-0	FAN TRAY & BRACKET ASSY.	M				
	D-MD-7421632-0-0	FAN TRAY	M				
	B-MD-7421387-0-0	BRACKET FAN TRAY CONN	M				
8	E-AD-7016390-0-0	FAN TRAY SUPPORT WELDMENT	M				
	E-MD-7421634-0-0	FAN TRAY SUPPORT FRONT	M				
	E-MD-7421633-0-0	FAN TRAY SUPPORT REAR	M				

TYPE: E ELECTRICAL
M MECHANICAL
E/M ELECTRO/MECHANICAL



TITLE
Ball-A UNIT ASSY.

SHEET 3 OF 3

SIZE CODE
B DD

NUMBER
Ball-A-0

REV
*

DIGITAL EQUIPMENT CORPORATION PARTS LIST

QUANTITY / VARIATION

NOTES:

MADE BY JOHN NAGLE	CHECKED DATE <i>JRL 6/29/79</i>	SECTION
DATE 8 APRIL 1979		
ENG <i>Ken Boudreau</i>	PROD <i>John Conella</i>	ISSUED SECTION
DATE 6/29/79	DATE 6 JUL 79	

ITEM NO.	DRAWING NO.	PART NO.	DESCRIPTION	BATT-AA	BATT-AB											REF DESIGNATION			
1	E-AD-7016391-0-0		BATT BOX ASSY	1	1														
2	E-UA-H7140-0-0		H7140-AA PWR SUPPLY 120V	1	1														
3	E-UA-H7140-0-0		H7140-AB PWR SUPPLY 240V	1	1														
4	9006690-00		LOCKWASHER #8 SPLIT RING	6	6														
5	9006418-01		SCREW 8-32 X .38 TAPTITE	6	6														
6	A-SP-3790472-0-0		PACKAGING INSTRUCTIONS	REF	REF														
7	D-AD-7016888-0-0		POWER DISTRIBUTION BOARD	1	1														
8	9006039-01		SCREW #8-32 X .50 PLIPS PAN HD	6	6														
9	9006661-00		#8 FLAT WASHER	6	6														
10	9006690-00		#8 HELICAL SPLIT LOCKWASHER	6	6														

E.C.O. NO.

"THIS DRAWING AND SPECIFICATIONS, HEREIN, ARE THE PROPERTY OF DIGITAL EQUIPMENT CORPORATION AND SHALL NOT BE REPRODUCED OR COPIED OR USED IN WHOLE OR IN PART AS THE BASIS FOR THE MANUFACTURE OR SALE OF ITEMS WITHOUT WRITTEN PERMISSION. COPYRIGHT ©1979 DIGITAL EQUIPMENT CORPORATION"	TITLE BATT-A UNIT ASSEMBLY	ASSY NO. E-UA-BATT-A-0	SIZE B	CODE PL	NUMBER BATT-A-0	REV. *
		SHEET 1 OF 1	INSERTION PARTS LIST DATA BASE REV			

DIGITAL EQUIPMENT CORPORATION PARTS LIST				QUANTITY / VARIATION										NOTES:			
MADE BY J. NAGLE DATE 8 JUNE 1979		CHECKED <i>PHL</i> DATE <i>6/29/79</i>		SECTION										REF DESIGNATION			
ENG <i>Ron Bond</i> DATE <i>6/29/79</i>		PROD <i>John Conella</i> DATE <i>6 JUL-79</i>		ISSUED SECTION													
ITEM NO.	DRAWING NO.	PART NO.	DESCRIPTION	7016391-0-0	7016391-1-0												
1	E-MD-7016493-0-0		BA11 BOX FRAME ASSY	1	1												
2		9010107-00	CARD GUIDE (FAN TRAY)	2	2												
3		9007783-00	SNAP BUSHING	1	1												
4		1216189	RETRACTOR, SLIDE PAWL	2	2												
5		1216190	SPRING, SLIDE PAWL	2	2												
6	B-MD-7421611-0-0		SLIDE PAWL	2	2												
7	B-MD-7421444-0-0		PLATE, SLIDE NUT	2	2												
8		1216785	SEMS SCREW, PHIL TRUSS HD #10-32X.437 INT TOOTH	4	4												
9		9007035-00	GROMMET, CATAPILLER TYPE 5.70 INCHES	1	1												
10	D-MD-7421613-0-0		PLATE, SLIDE INDEX, RIGHT HAND	1	1												
11	D-MD-7421613-0-1		PLATE, SLIDE INDEX, LEFT HAND	1	1												
12		1216197	PIVOT SCREW	2	2												
13	B-MD-7421612-0-0		BAR, GUIDE MOUNTING	2	2												
14		1215848-0	CARD GUIDE (NATURAL)	15	15												
15		1215848-1	CARD GUIDE (BLACK)	14	14												
16		9010118-00	SCREW, NYLOCK 100° C STNK PHLP HD .31X#10-32	4	4												
17		9009087	FOAM TAPE, .125 X 2.10 X 12"	1	1												
18		1212405-0	CARD GUIDE (SNAP IN) WHITE	15	15												
19		1212405-10	CARD GUIDE (SNAP IN) BLACK	14	14												
20	C-IA-7016901-0-0		FAN POWER HARNESS	1	-												
21	D-AD-7016472-0-0		FAN TRAY ASSY	1	-												
22		9010120-00	SCREW 6-32 X .187 NYLOCK	2	-												
23		9009771-03	CABLE CLAMP	2	2												

E.C.O. NO.

"THIS DRAWING AND SPECIFICATIONS, HEREIN, ARE THE PROPERTY OF DIGITAL EQUIPMENT CORPORATION AND SHALL NOT BE REPRODUCED OR COPIED OR USED IN WHOLE OR IN PART AS THE BASIS FOR THE MANUFACTURE OR SALE OF ITEMS WITHOUT WRITTEN PERMISSION. COPYRIGHT © 1979 DIGITAL EQUIPMENT CORPORATION"

TITLE
BA11 BOX ASSEMBLY

ASSY NO.
E-AD-7016391-0-0

SIZE CODE
B PL

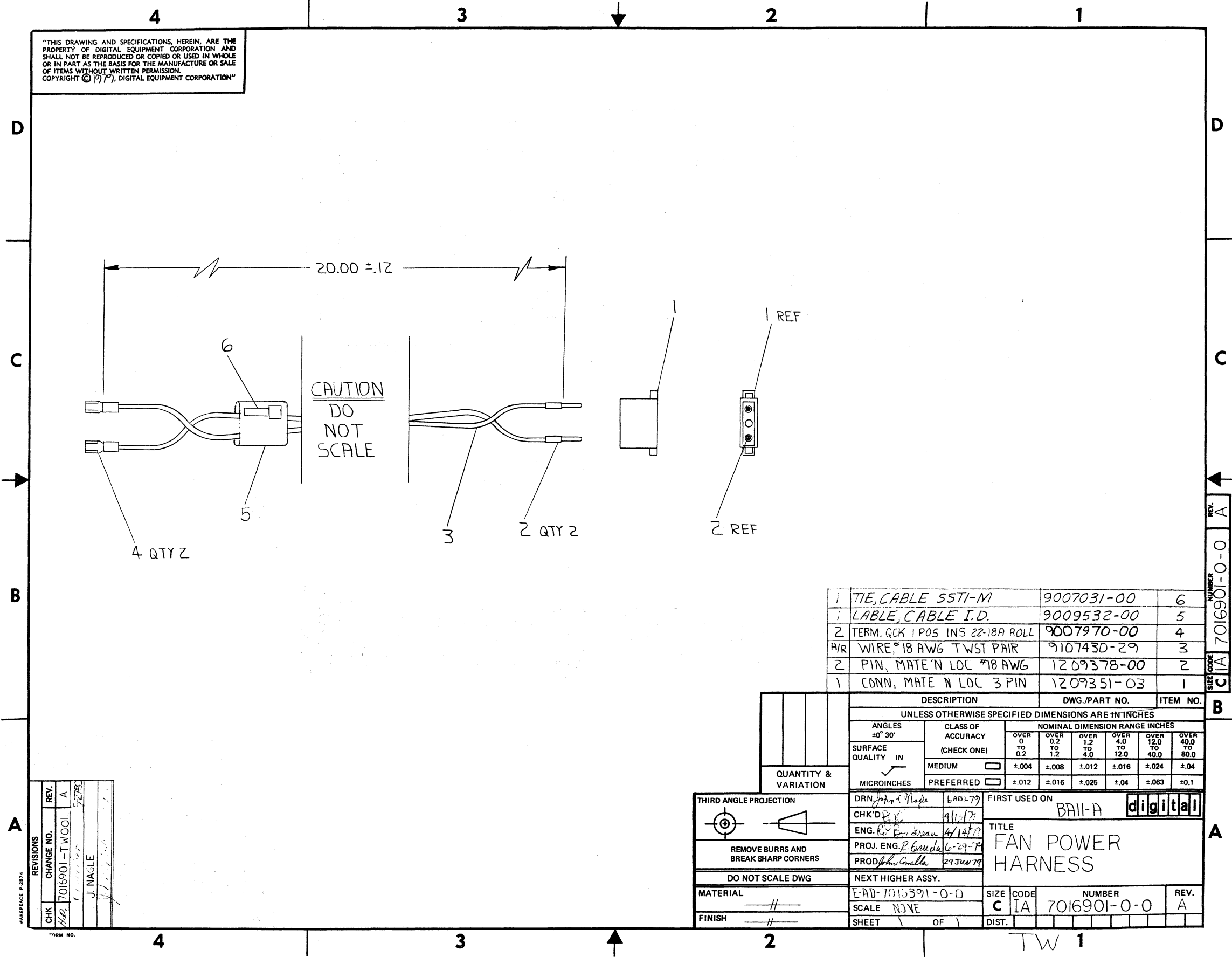
NUMBER
7016391-0-0

REV.
*

SHEET 1 OF 1

INSERTION PARTS LIST DATA BASE REV

"THIS DRAWING AND SPECIFICATIONS, HEREIN, ARE THE PROPERTY OF DIGITAL EQUIPMENT CORPORATION AND SHALL NOT BE REPRODUCED OR COPIED OR USED IN WHOLE OR IN PART AS THE BASIS FOR THE MANUFACTURE OR SALE OF ITEMS WITHOUT WRITTEN PERMISSION. COPYRIGHT © 1977, DIGITAL EQUIPMENT CORPORATION"



ITEM NO.	DESCRIPTION	DWG./PART NO.	QTY
1	TIE, CABLE SSTI-M	9007031-00	6
1	CABLE, CABLE I.D.	9009532-00	5
2	TERM. GCK 1 POS INS 22-18A ROLL	9007970-00	4
W/R	WIRE, #18 AWG TWST PAIR	910743D-29	3
2	PIN, MATE'N LOC #18 AWG	1209378-00	2
1	CONN, MATE'N LOC 3 PIN	1209351-03	1

ANGLES ±0° 30'	CLASS OF ACCURACY (CHECK ONE)	NOMINAL DIMENSION RANGE INCHES					
SURFACE QUALITY IN MICROINCHES	MEDIUM <input type="checkbox"/>	OVER 0 TO 0.2	OVER 0.2 TO 1.2	OVER 1.2 TO 4.0	OVER 4.0 TO 12.0	OVER 12.0 TO 40.0	OVER 40.0 TO 80.0
	PREFERRED <input checked="" type="checkbox"/>	±.004	±.008	±.012	±.016	±.024	±.04
		±.012	±.016	±.025	±.04	±.063	±.1

THIRD ANGLE PROJECTION	DRN <i>John Nagle</i> 6 APR 79	FIRST USED ON	BALI-A digital
REMOVE BURRS AND BREAK SHARP CORNERS	CHK'D <i>P. G.</i> 4/13/79	TITLE	
DO NOT SCALE DWG	ENG. <i>P. G. Brennan</i> 4/14/79	FAN POWER HARNESS	
MATERIAL	PROJ. ENG. <i>P. Brennan</i> 6-29-79	SIZE	CODE
FINISH	PROD. <i>John Nagle</i> 29 JUN 79	C	IA
	NEXT HIGHER ASSY.	NUMBER	REV.
	EAD-7016391-0-0	7016901-0-0	A
	SCALE NONE	DIST.	
	SHEET 1 OF 1		

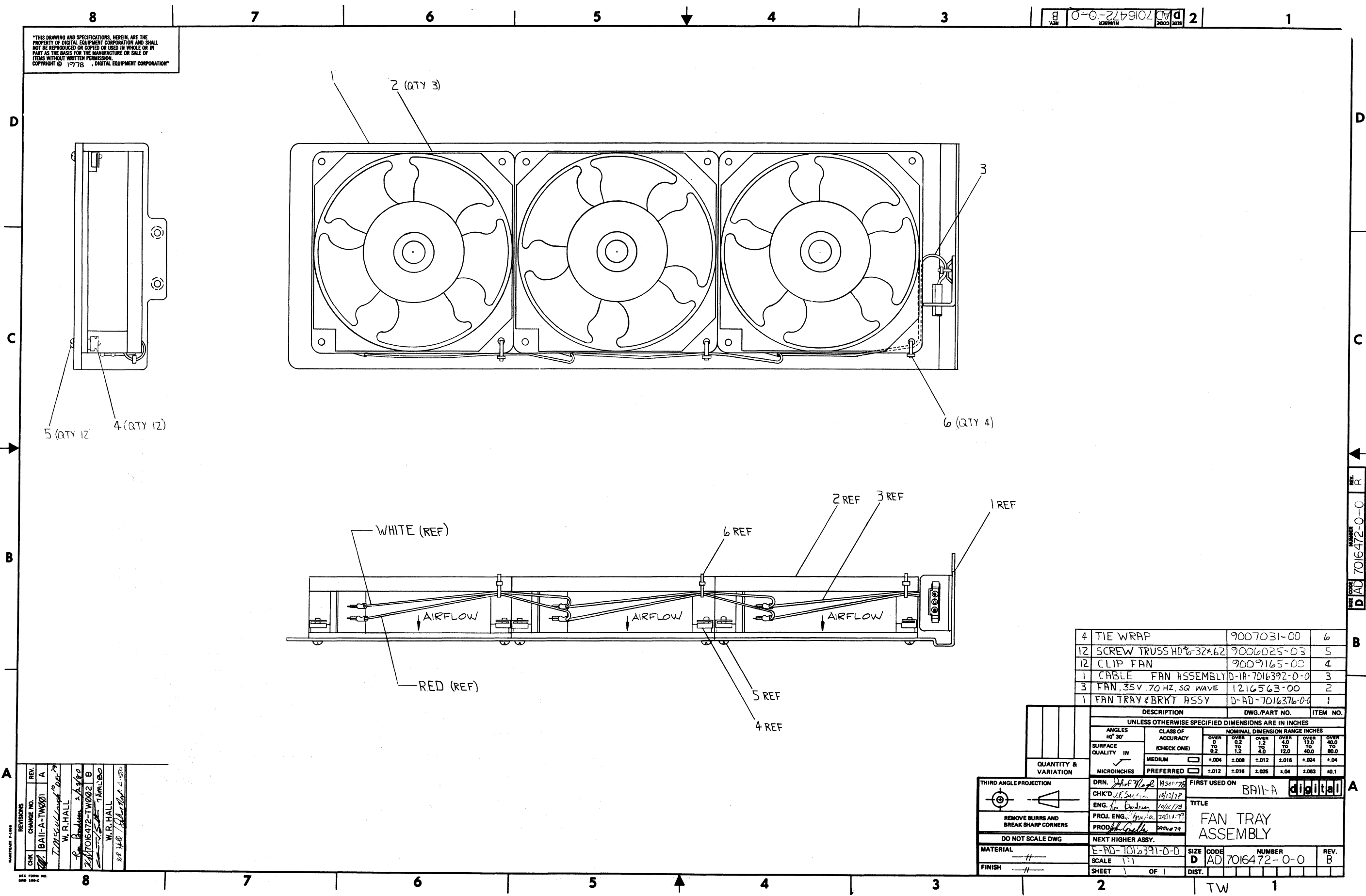
REV.	CHANGE NO.	DATE
A	1	5/27/79

CHK *J. Nagle*
 H.P. 7016901-TW001
 J. NAGLE

REV. A
 NUMBER 7016901-0-0
 SIZE CODE C IA

"THIS DRAWING AND SPECIFICATIONS, HEREIN, ARE THE PROPERTY OF DIGITAL EQUIPMENT CORPORATION AND SHALL NOT BE REPRODUCED OR COPIED OR USED IN WHOLE OR IN PART AS THE BASIS FOR THE MANUFACTURE OR SALE OF ITEMS WITHOUT WRITTEN PERMISSION. COPYRIGHT © 1978, DIGITAL EQUIPMENT CORPORATION"

REV. B AD 7016472-0-0
 SIZE CODE D
 2



QUANTITY	DESCRIPTION	DWG./PART NO.	ITEM NO.
4	TIE WRAP	9007031-00	6
12	SCREW TRUSS HD 6-32x.62	9006025-D3	5
12	CLIP FAN	9009165-00	4
1	CABLE FAN ASSEMBLY	D-1A-7016392-D-0	3
3	FAN, 35V, 70 HZ, SQ WAVE	1216563-00	2
1	FAN TRAY & BRKT ASSY	D-AD-7016376-D-0	1

ANGLES		CLASS OF ACCURACY	NOMINAL DIMENSION RANGE INCHES				
30°	90°		OVER 0 TO 0.25	OVER 0.25 TO 1.2	OVER 1.2 TO 4.0	OVER 4.0 TO 12.0	OVER 12.0 TO 40.0
✓	✓	(CHECK ONE)	±.004	±.008	±.012	±.016	±.024
✓	✓	(CHECK ONE)	±.012	±.016	±.025	±.04	±.063

THIRD ANGLE PROJECTION

REMOVE BURRS AND BREAK SHARP CORNERS

DO NOT SCALE DWG

MATERIAL: #

FINISH: #

DRN. *[Signature]* 19/5/78

CHK'D. *[Signature]* 19/12/78

ENG. *[Signature]* 19/11/78

PROJ. ENG. *[Signature]* 20/11/78

PRODR. *[Signature]* 20/11/78

FIRST USED ON: BAI-A digital

TITLE: FAN TRAY ASSEMBLY

E-AD-1016391-D-0

SCALE: 1:1

SHEET 1 OF 1

SIZE CODE: D

NUMBER: AD 7016472-0-0

REV. B

REV.	CHANGE NO.	DATE	BY	CHK'D.
A	BAI-A-TW001	1/24/78	W.R.HALL	
B	2/17/78	1/24/78	W.R.HALL	

"THE MATERIAL HEREIN IS FOR INFORMATION PURPOSES ONLY AND IS SUBJECT TO CHANGE WITHOUT NOTICE. DIGITAL EQUIPMENT CORPORATION ASSUMES NO RESPONSIBILITY FOR ANY ERRORS WHICH MAY APPEAR HEREIN."

FIELD MAINTENANCE PRINT SET

"THIS DRAWING AND SPECIFICATIONS, HEREIN, ARE THE PROPERTY OF DIGITAL EQUIPMENT CORPORATION AND SHALL NOT BE REPRODUCED OR COPIED OR USED IN WHOLE OR IN PART AS THE BASIS FOR THE MANUFACTURE OR SALE OF ITEMS WITHOUT WRITTEN PERMISSION. COPYRIGHT © 1979 DIGITAL EQUIPMENT CORPORATION."

TABLE OF CONTENTS

H7140-0-1	UNIT ASSY
E-UA-H7140-0-0	UNIT ASSY
B-PL-H7140-0-0	UNIT ASSY
E-AD-7016476-0-0	INPUT ASSY
B-PL-7016476-0-0	INPUT ASSY
E-AD-7016054-0-0	OUTPUT PANEL ASSY
B-PL-7016054-0-0	OUTPUT
E-AD-7016048-0-0	RELAY ASSY
B-PL-7016048-0-0	RELAY ASSY
D-AD-7016478-0-0	POWER CORD ASSY
D-AD-7016907-0-0	LINE CORD ASSY
D-UA-5413663-0-0	SNUBBER BOARD
D-CS-5413663-0-0	SNUBBER BOARD
E-PL-5413663-0-0	SNUBBER BOARD
E-UA-5413615-0-0	MOTHER BOARD H7140
D-CS-5413615-0-0	MOTHER BOARD H7140
B-PL-5413615-0-0	MOTHER BOARD
D-UA-5413605-0-0	BIAS & INTERFACE BOARD
D-CS-5413605-0-0	BIAS & INTERFACE BOARD
B-PL-5413605-0-0	BIAS & INTERFACE BOARD
D-UA-5413601-0-0	LOGIC INVERTER CONTROL BOARD
D-CS-5413601-0-0	LOGIC INVERTER CONTROL BOARD
B-PL-5413601-0-0	LOGIC INVERTER CONTROL BOARD
D-UA-5413599-0-0	LOGIC INVERTER BOARD
D-CS-5413599-0-0	LOGIC INVERTER BOARD
B-PL-5413599-0-0	LOGIC INVERTER BOARD
D-UA-5413607-0-0	MEM REG. BOARD
D-CS-5413607-0-0	MEM REG. BOARD
B-PL-5413607-0-0	MEM REG. BOARD
D-UA-5413603-0-0	MEM INV. BOARD
D-CS-5413603-0-0	MEM INV. BOARD
B-PL-5413603-0-0	MEM INV. BOARD
D-AD-7016050-0-0	MEM VOLTAGE ASSY
D-AD-7016057-0-0	+5V INVERTER ASSY

UNIT VARIATIONS COVERED BY THIS PRINT SET
H7140-AA
H7140-AB

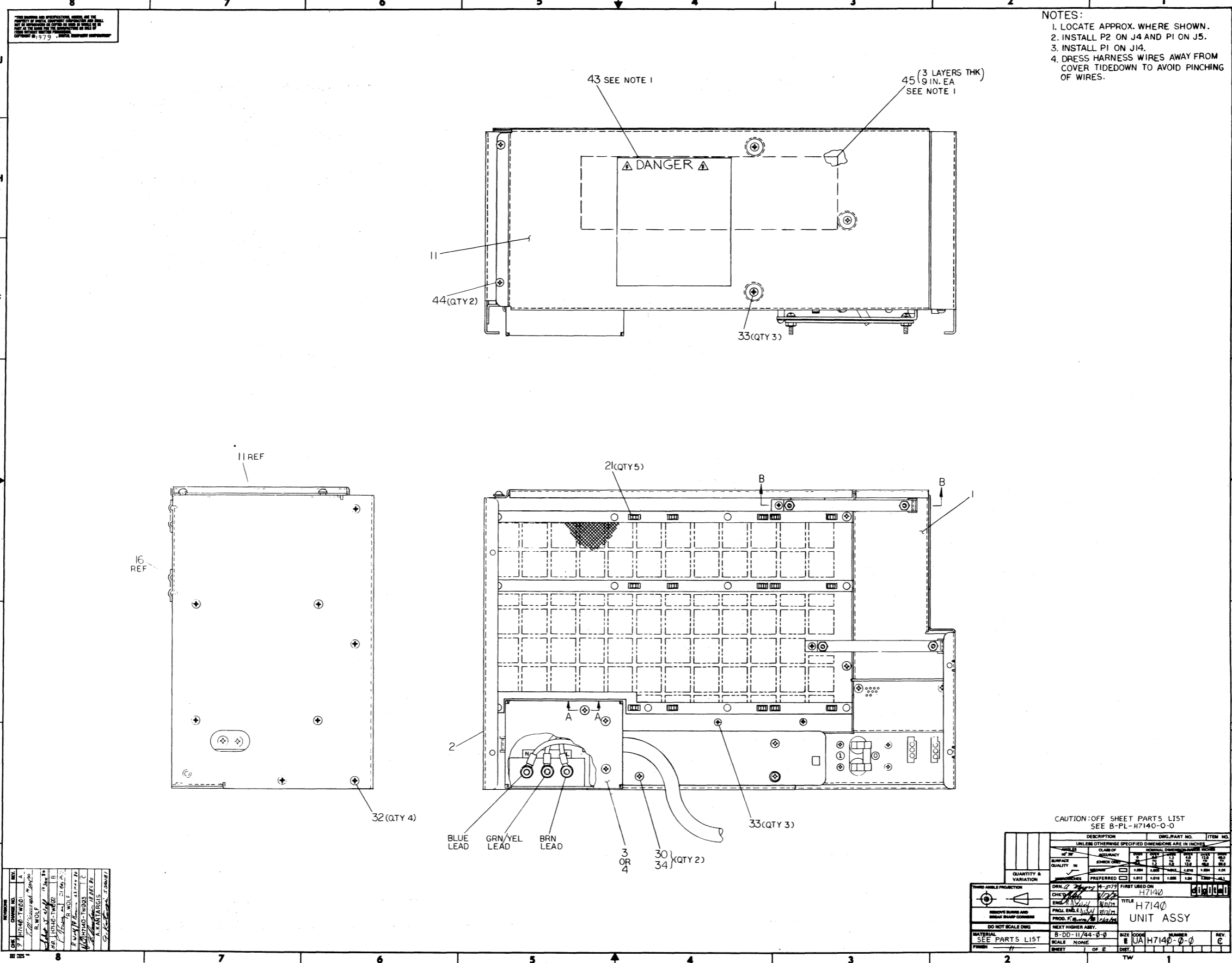
Field Maintenance Print Set

H7140 UNIT ASSY
MP00837

Digital Equipment Corporation

REV. *
NUMBER H7140-0-1
CODE TC
SIZE B

REVISIONS	REV		USED ON OPTION/MODEL H7140	DRN.	DATE	TITLE: UNIT ASSEMBLY						
	CHG. NO.				M. CARROLL						10/24/79	
					CHK'D						DATE	
DATE				PROJ. ENG.	DATE	SIZE	CODE	NUMBER	REV.			
						B	TC	H7140-0-1	*			
SHEET 1 OF 1				FIELD SERV.	DATE	DIST.						
				W. Macy	11/16/79							



NOTES:
 1. LOCATE APPROX. WHERE SHOWN.
 2. INSTALL P2 ON J4 AND P1 ON J5.
 3. INSTALL P1 ON J14.
 4. DRESS HARNESS WIRES AWAY FROM COVER TIEDOWN TO AVOID PINCHING OF WIRES.

THIS DRAWING AND SPECIFICATIONS SHALL BE THE PROPERTY OF THE COMPANY AND SHALL BE KEPT IN CONFIDENCE. IT IS TO BE USED ONLY FOR THE PURPOSES SPECIFIED HEREIN. © 1979

REV	DATE	BY	CHKD	DESCRIPTION
1				INITIALS
2				REVISIONS
3				APPROVED
4				DATE
5				BY
6				CHKD
7				DATE
8				BY

CAUTION: OFF SHEET PARTS LIST
SEE B-PL-H7140-O-0

DESCRIPTION	H7140	UNIT ASSY
DATE	11/24/74	
SCALE	NONE	
SHEET	1	TW

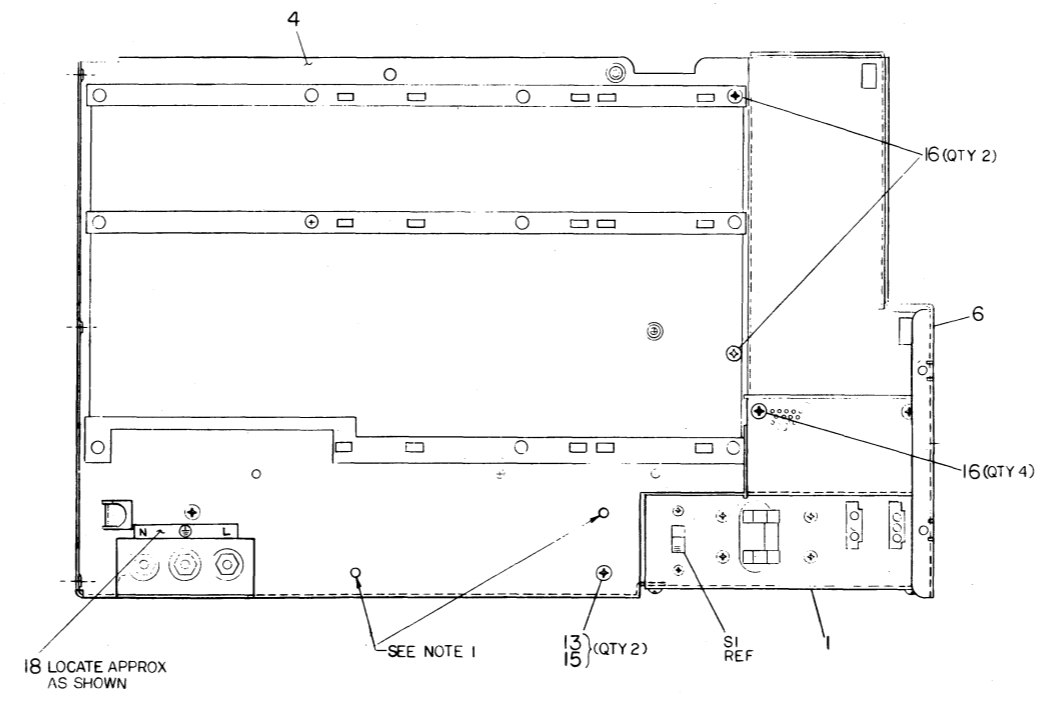
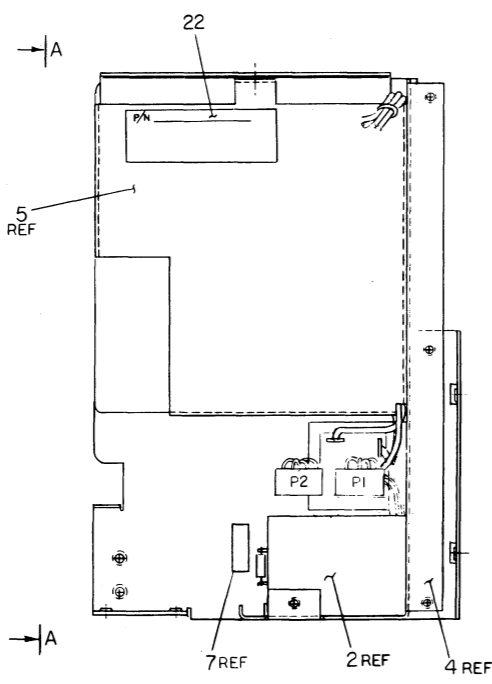
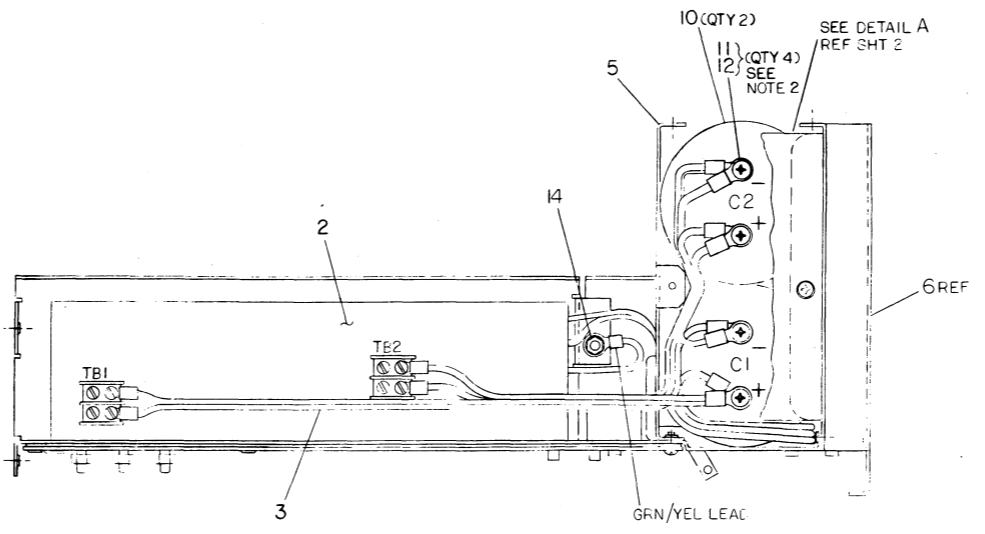
DIGITAL EQUIPMENT CORPORATION PARTS LIST				QUANTITY / VARIATION										NOTES:			
MADE BY A. MOWRY DATE 8/15/79		CHECKED <i>[Signature]</i> DATE 8/17/79															
ENG <i>[Signature]</i> DATE 8/17/79		PROD F. Muniz <i>[Signature]</i> DATE 8/17/79															
ITEM NO.	DRAWING NO.	PART NO.	DESCRIPTION	H7140-AA	H7140-AB	H7140-BA	H7140-BB										REF DESIGNATION
28		9006664-00	WASHER, FLAT #10	2	2	2	2										
29		9007906-00	WASHER, SPLIT, LOCK #10	7	7	7	7										
30		9006037-01	SCR PHL PAN HD #8-32 X .38 LG	2	2	2	2										
31		9006022-01	SCR PHL PAN HD #6-32 X .38 LG	5	5	5	5										
32		9009796-00	SCR PHL FLAT HD #6-32 X 1/4 LG SELF TAP	14	14	14	14										
33		9009798-00	SCR PHL PAN HD #6-32 X 5/16 LG SELF TAP	11	11	11	11										
34		9006690-00	WASHER, SPLIT, LOCK #8	3	3	3	3										
35		9009243-00	NUT, KEP #6-32	1	1	1	1										
36		9007801-00	WASHER, SPLIT, LOCK #6	14	14	14	14										
37		9006656-00	WASHER, FLAT #6	6	6	6	6										
38		9008212-00	SCR NYLON SLTD PAN HD #6-32 X 7/16 LG	3	3	3	3										
39		9006039-02	SCR PHL FLAT HD #8-32 X .5 LG	1	1	1	1										
40		9009537-01	SCR PHL PAN HD #6-32 X .62 SELF TAP	4	4	4	4										
41		9008957-00	NUT, HEX #6-32	4	4	4	4										
42		3615037-02	LABEL, "DANGER HIGH CURRENT"	1	1	1	1										
43		3616930-00	LABEL, DANGER STORED HIGH VOLTAGE	1	1	1	1										
44		9009791-00	SCREW, SEMS, PHL PAN HD #6-32 X 5/16 LG	4	4	4	4										
45		9009087-00	FOAM, TAPE, SINGLE SIDED 1/8 X 2.10	2.25	2.25	2.25	2.25										
46	D-UA-5413607-00	5413607-YA	MEMORY REGULATOR BOARD	0	0	1	1										
47	B-MD-7424586-0-0	7424586-00	INSULATOR, HEATSINK	1	1	1	1										

E.C.O. NO.	"THIS DRAWING AND SPECIFICATIONS, HEREIN, ARE THE PROPERTY OF DIGITAL EQUIPMENT CORPORATION AND SHALL NOT BE REPRODUCED OR COPIED OR USED IN WHOLE OR IN PART AS THE BASIS FOR THE MANUFACTURE OR SALE OF ITEMS WITHOUT WRITTEN PERMISSION. COPYRIGHT © 1979 DIGITAL EQUIPMENT CORPORATION"	TITLE	ASSY NO.	SIZE	CODE	NUMBER	REV.
		H7140 UNIT ASSEMBLY	E-UA-H7140-00	B	PL	H7140-0-0	C
		SHEET 2 OF 2		INSERTION PARTS LIST DATA BASE REV			

1579

NOTE
 1. DO NOT INSTALL HARDWARE IN THESE HOLES.
 2. TORQUE TO 16 IN-LB ± 10%.

J
H
F
E
D
C
B
A



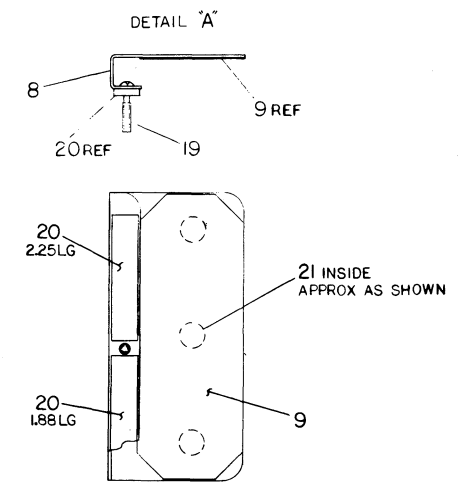
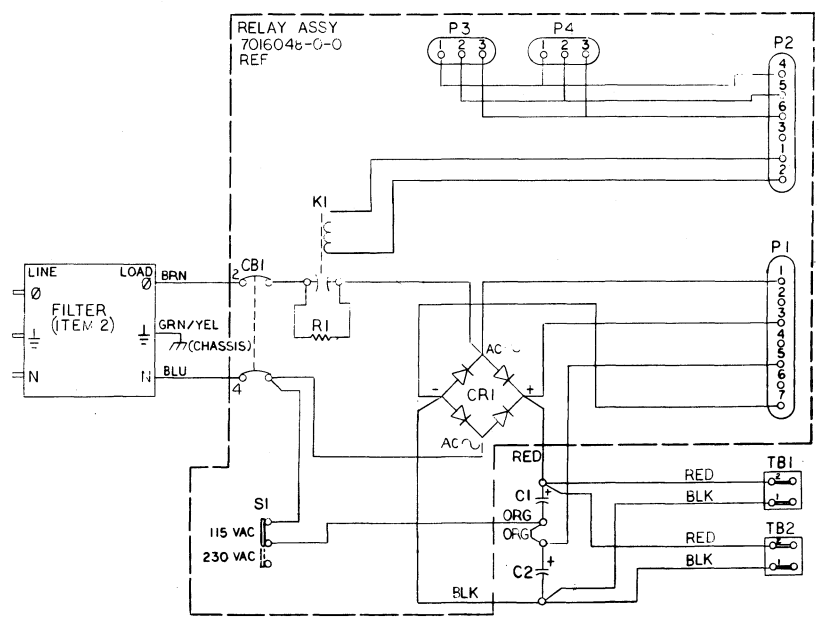
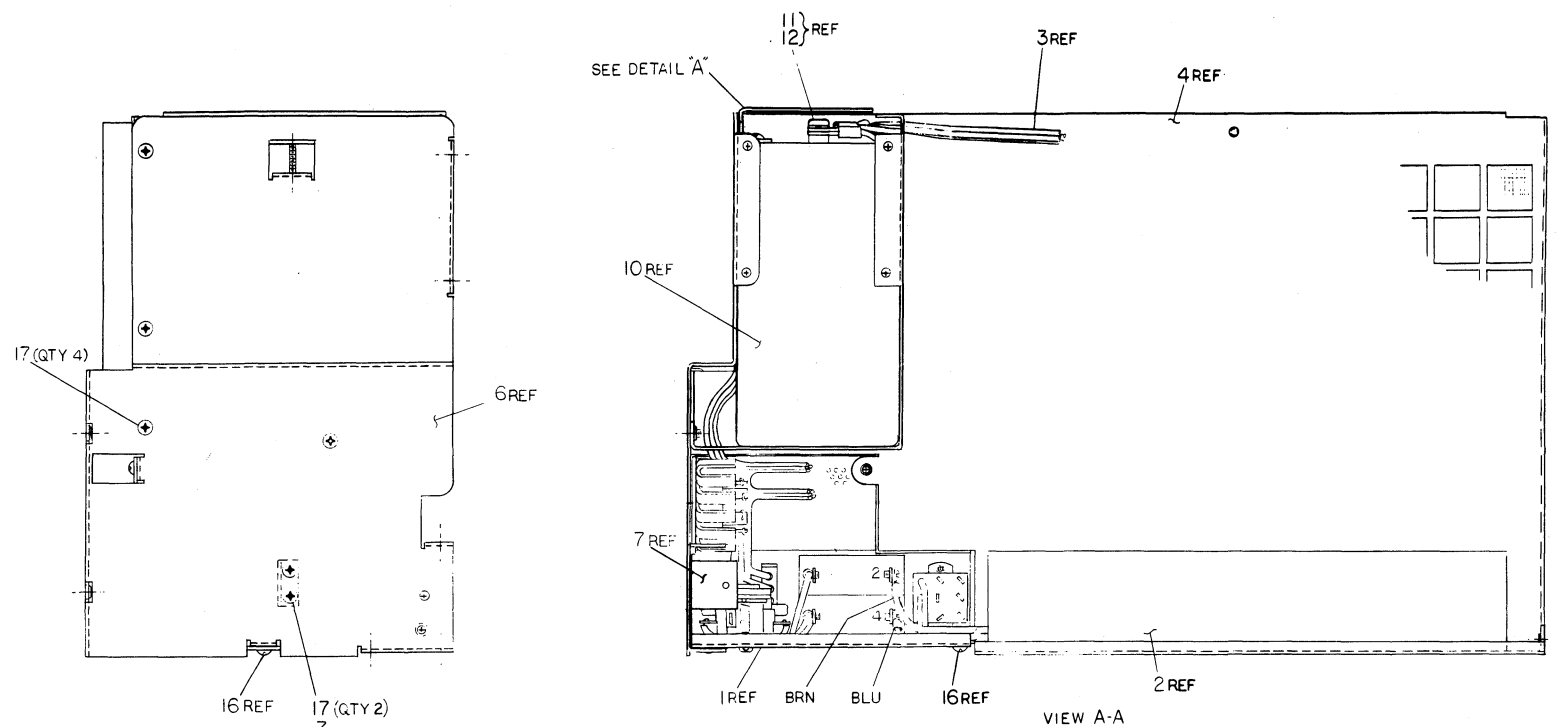
1579
 1579-1
 1579-2
 1579-3
 1579-4
 1579-5
 1579-6
 1579-7
 1579-8
 1579-9
 1579-10
 1579-11
 1579-12
 1579-13
 1579-14
 1579-15
 1579-16
 1579-17
 1579-18
 1579-19
 1579-20

CAUTION: OFF SHEET PARTS LIST
 SEE B-PL-7016476-0-0

QTY	DESCRIPTION	UNL PART INCL	ITEM INCL
1	INPUT ASSY		
1	SEE PARTS LIST		

REV. 1	DATE 12/11/60	BY R. WOLF
REV. 2	DATE 12/11/60	BY R. WOLF
REV. 3	DATE 12/11/60	BY R. WOLF
REV. 4	DATE 12/11/60	BY R. WOLF
REV. 5	DATE 12/11/60	BY R. WOLF
REV. 6	DATE 12/11/60	BY R. WOLF
REV. 7	DATE 12/11/60	BY R. WOLF
REV. 8	DATE 12/11/60	BY R. WOLF
REV. 9	DATE 12/11/60	BY R. WOLF
REV. 10	DATE 12/11/60	BY R. WOLF

THIS DRAWING IS THE PROPERTY OF THE AIR FORCE AND IS LOANED TO YOU BY THE AIR FORCE. IT IS TO BE RETURNED TO THE AIR FORCE AT THE END OF YOUR LEASE. IT IS NOT TO BE REPRODUCED OR TRANSMITTED IN ANY FORM OR BY ANY MEANS, ELECTRONIC OR MECHANICAL, INCLUDING PHOTOCOPYING, RECORDING, OR BY ANY INFORMATION STORAGE AND RETRIEVAL SYSTEM.



DIGITAL EQUIPMENT CORPORATION PARTS LIST

QUANTITY / VARIATION

NOTES:

MADE BY DATE	A. MOWRY 04-09-79	CHECKED DATE	SECTION
ENG DATE	Robert J. Way 8-10-79	PROD DATE	ISSUED SECTION
		F. MUNIZ / a 8/10/79	

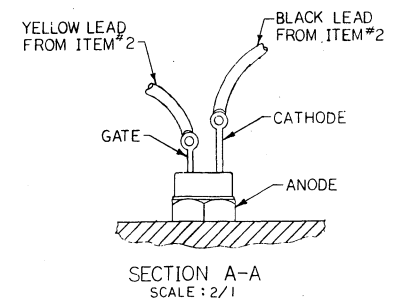
ITEM NO.	DRAWING NO.	PART NO.	DESCRIPTION	1	2	3	4	5	6	7	8	9	10	11	12	13	14	15	16	17	18	19	20	21	22	REF DESIGNATION
1	E-AD-7016048-0-0	7016048-00	RELAY ASSY	1																						
2	C-IA-7016898-0-0	7016898-00	FILTER, RFI, ASSY	1																						
3	D-IA-7016477-0-0	7016477-00	HARNESS, 300V	1																						
4	D-IA-7016926-0-0	7016926-00	CHASSIS ASSY, REAR	1																						
5	D-MD-7421433-0-0	7421433-00	BRACKET, CAPACITOR	1																						
6	D-MD-7421438-0-0	7421438-00	PANEL, SIDE	1																						
7	B-MD-7423546-0-0	7423546-00	BLOCK, MTG	1																						
8	B-MD-7422382-0-0	7422382-00	CLAMP, CAPACITOR	1																						
9	B-MD-7422401-0-0	7422401-00	INSULATOR, CAPACITOR	1																						
10		1014336-00	CAPACITOR, 4500 uf/200 VDC, E%	2																						
11		9006072-01	SCR, PHL PAN HD SS #10-32 x .438 LG	4																						
12		9007906-00	WASHER, SPLIT, LOCK #10	4																						
13		9006037-01	SCR, PHL PAN HD SS #8-32 x .375 LG	2																						
14		9006565-00	NUT, KEP CS/CAD #10-32 x 3/8 AF	1																						
15		9006690-00	WASHER, SPLIT, LOCK #8	2																						
16		9009708-00	SCREW, PHL PAN HD SELF TAP #6-32 x .312	6																						
17		9009796-00	SCR, PHL FLAT HD SELF TAP #6-32 x .250	6																						
18		3617016-00	LABEL, N-GROUND-L	1																						
19		9010133-00	SCREW, PHILL PAN HD #8-32 x .88 LG	1																						
20		9009342-00	FOAM TAPE ADH. BACK .50 x .125	.35	FT																					
21		9009157-00	ADHESIVE, PERMABOND #101	A/R																						
22		9009255-00	LABEL, POWER SUPPLY	1																						

E.C.O. NO. H7140 - TV001	
--------------------------------	--

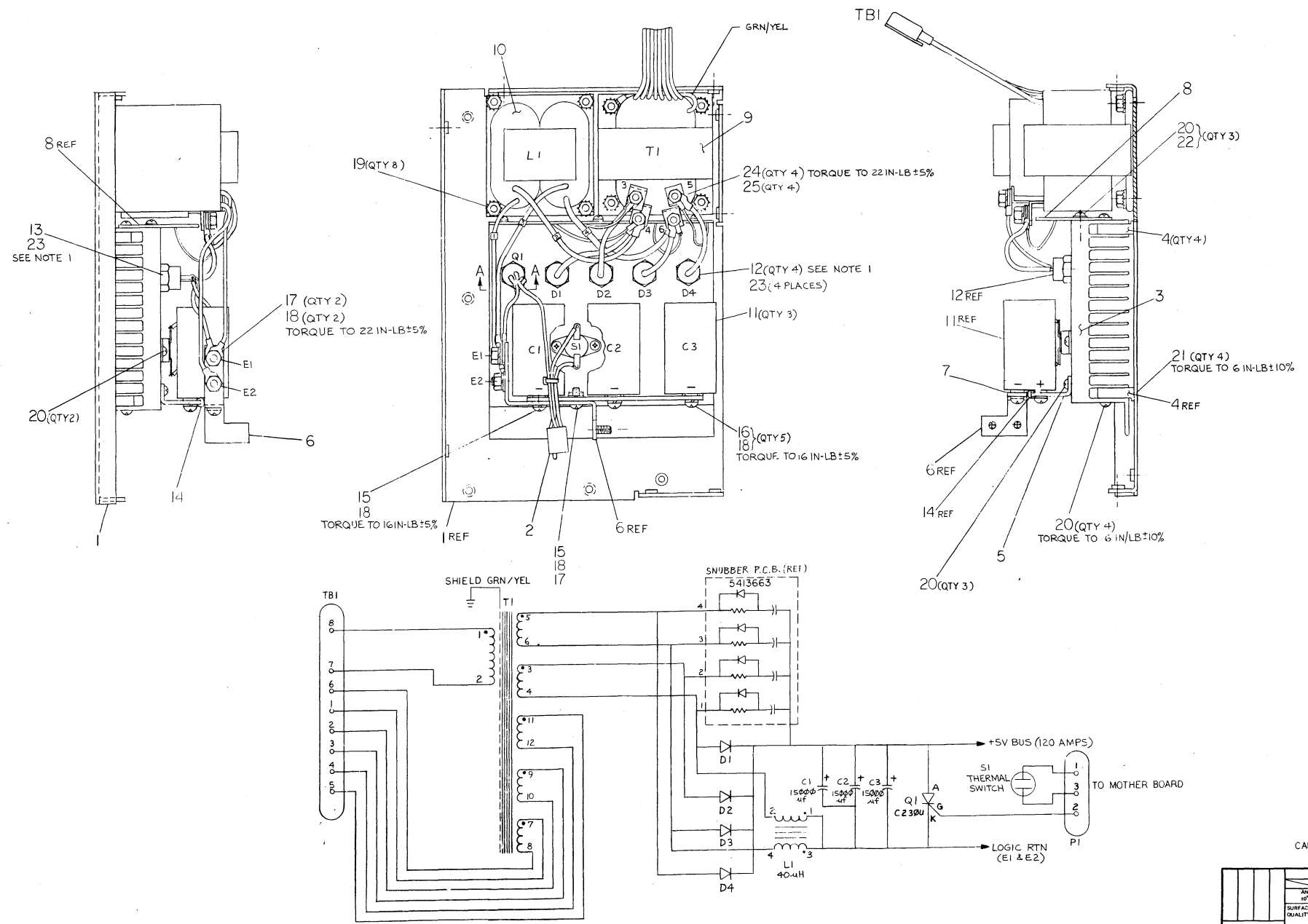
<p>"THIS DRAWING AND SPECIFICATIONS, HEREIN, ARE THE PROPERTY OF DIGITAL EQUIPMENT CORPORATION AND SHALL NOT BE REPRODUCED OR COPIED OR USED IN WHOLE OR IN PART AS THE BASIS FOR THE MANUFACTURE OR SALE OF ITEMS WITHOUT WRITTEN PERMISSION. COPYRIGHT © 1979 DIGITAL EQUIPMENT CORPORATION"</p>	<p>TITLE INPUT ASSY</p>	<p>ASSY NO. E-AD-7016476-00</p>	<p>SIZE B</p>	<p>CODE PL</p>	<p>NUMBER 7016476-0-0</p>	<p>REV. A</p>
		SHEET 1 OF 1	INSERTION PARTS LIST DATA CASE REV			

REVISIONS AND INTERCONNECTION TABLES ARE THE PROPERTY OF THE MILITARY EQUIPMENT CORPORATION AND SHALL NOT BE REPRODUCED OR COPIED IN WHOLE OR IN PART BY THE RECIPIENT FOR FILE OR FOR USE ON ANY OTHER MILITARY EQUIPMENT CORPORATION PRODUCT.

INTERCONNECTION TABLE		REMARKS
FROM	TO	
DI	T1-4	
LI-2	T1-4	
WIRE #1 ITEM 8	T1-3	
D2	T1-3	
WIRE #2 ITEM 8	T1-6	
D3	T1-6	
LI-4	T1-6	
WIRE #3 ITEM 8	T1-5	
D4	T1-5	
WIRE #4 ITEM 8	MTD STUD	
T1-GRN/YEL	Q1-GATE	
YEL LEAD ITEM 2	Q1-CATHODE	
BLK LEAD ITEM 2	E1	
Q1-CATHODE	E1	
LI-3	E2	
LI-1	E2	



NOTES:
 1. ITEMS 12 & 13 (DI-D4 & Q1) MUST SEAT FLUSH ON HEATSINK (ITEM 3). USE TSM 23 (QINTC19RD) UNDER ITEMS 12 & 13. TORQUE TO 25 IN.-LBS MIN. UNTIL FULLY SEATED.



CAUTION: OFF SHEET PARTS LIST
 SEE B-PL-7016054-0-0

DESCRIPTION		DWG. PART NO.	ITEM NO.
UNLESS OTHERWISE SPECIFIED DIMENSIONS ARE IN INCHES			
ANGLE	CL. 90°		
SURFACE QUALITY	FIN. 125		
QUANTITY & VARIATION	QUANTITY	VARIATION	
APPROACHES	PREFERRED		
THIRD ANGLE PROJECTION	DRN. 11-7-78	FIRST USED ON	H7140
REMOVE BURRS AND BREAK SHARP CORNERS	CHKD. 11-7-78	TITLE	OUTPUT PANEL ASSY
DO NOT SCALE DWG.	NEXT HIGHER ASSY.	MATERIAL	E-UA-117140-0-0
SEE PARTS LIST	SCALE NONE	SIZE	CODE
FINISH	SHEET 1 OF 1	NUMBER	AD7016054-0-0

REV.	CHANGE NO.	DESCRIPTION

DIGITAL EQUIPMENT CORPORATION PARTS LIST				QUANTITY / VARIATION								NOTES:					
MADE BY DATE		CHECKED DATE		SECTION		7016054-00		REF DESIGNATION		REF DESIGNATION		REF DESIGNATION		REF DESIGNATION			
A. Mowry 07/02/79		<i>[Signature]</i> 7/29/79															
ENG DATE		PROD DATE		ISSUED SECTION													
Robert J. [Signature] 7-26-79		Manuel Hidalgo (R.J.W.) 7-31-79															
ITEM NO.	DRAWING NO.	PART NO.	DESCRIPTION														REF DESIGNATION
1	D-MD-7421434-0-0	7421434-00	CHASSIS, SIDE	1													
2	D-IA-7016511-0-0	7016511-00	OVERTEMP CABLE & SWITCH ASSY	1													
3		1216648-00	HEAT SINK	1													
4		1216965-00	MTG BLOCK, INSULATED	4													
5	B-MD-7422038-0-0	7422038-00	CAP., BRKT POS.	1													
6	B-MD-7422037-0-0	7422037-00	BRKT, RETURN BUS	1													
7	B-MD-7422036-0-0	7422036-00	BRKT, CAP NEG.	1													
8	D-UA-5413663-0-0	5413663-00	SNUBBER P.C.B.	1													
9	C-IA-7016056-0-0	7016056-00	XFORMER, PWR, HIGH FREQ ASSY	1	T1												
10	C-IA-7016055-0-0	7016055-00	CHOKE, OUTPUT DOUBLE SECTION ASSY	1	L1												
11		1014338-00	CAPACITOR, 15,000 MFD 7.5V ± 20%	3	C1	C2	C3										
12		1114197-00	RECTIFIER PLU=45 I=60	4	D1	D2	D3	D4									
13		1109978-00	RECTIFIER, C230V SCR @ 25V I = 25A	1	Q1												
14		9007036-00	GROMMET, CATERPILLAR	.33	FT												
15		9006071-01	SCR PHL PAN HD #10-32 X .38	2													
16		9006070-01	SCR PHL PAN HD #10-32 X .31	5													
17		9009005-00	NUT, HEX #10-32 X 1/4 AF	3													
18		9007906-00	WASHER, SPLIT LOCK #10	9													
19		9006563-00	NUT, KEP #8-32 X 11/32 AF	8													
20		9009708-00	SCR, PHL PAN HD SELF TAP #6-32 X .31	12													
21		9009796-00	SCR PHL (FLT) HD SELF TAP #6-32 X .25	4													
22		9009882-00	WASHER, LOCK INT TOOTH #6	3													
23		9008268-00	COMPOUND, THERMAL JOINT	A/R													
24		9006561-00	NUT, HEX #8-32 x 5/16 AF	4													
25		9006690-00	WASHER, LOCK, S.S. #8	4													

E.C.O. NO.

"THIS DRAWING AND SPECIFICATIONS, HEREIN, ARE THE PROPERTY OF DIGITAL EQUIPMENT CORPORATION AND SHALL NOT BE REPRODUCED OR COPIED OR USED IN WHOLE OR IN PART AS THE BASIS FOR THE MANUFACTURE OR SALE OF ITEMS WITHOUT WRITTEN PERMISSION. COPYRIGHT ©1979 DIGITAL EQUIPMENT CORPORATION"

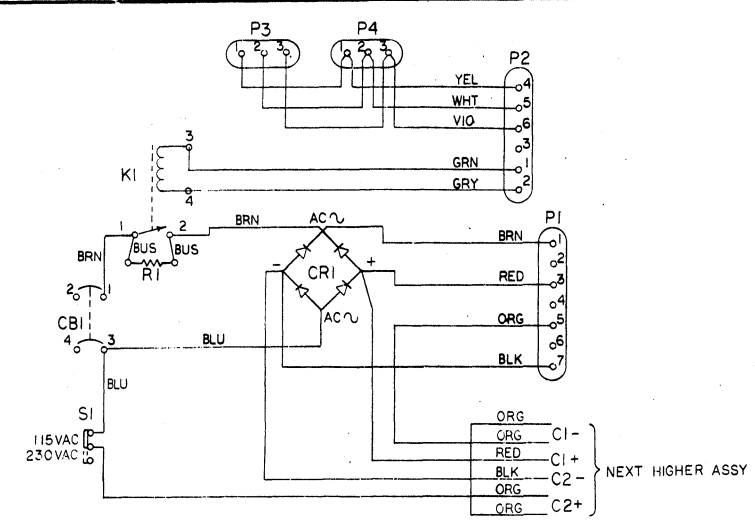
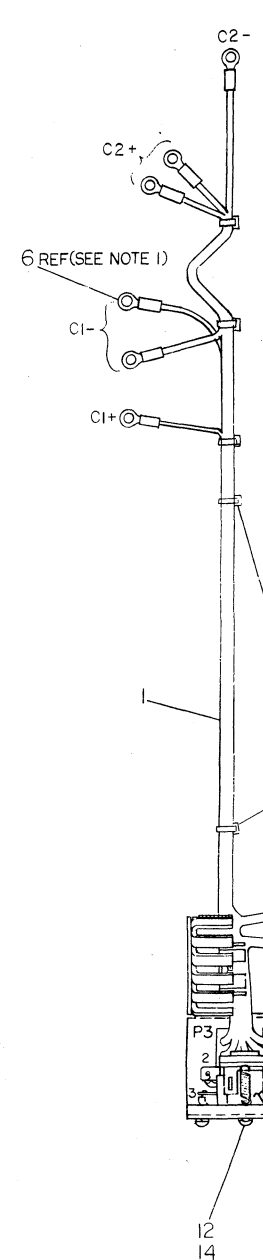
TITLE
OUTPUT PANEL ASSEMBLY

ASSY NO.
E-AD-7016054-0-0
SHEET 1 OF 1

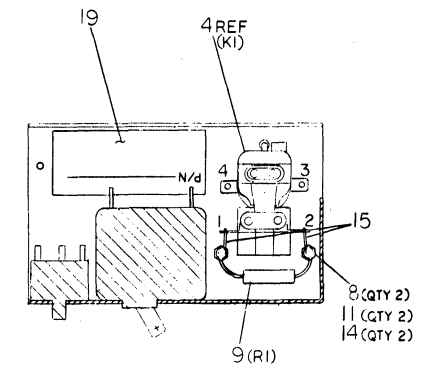
SIZE B	CODE PL	NUMBER 7016054-0-0	REV. *
INSERTION PARTS LIST DATA BASE REV			

FOR REVISION AND INFORMATION, REFER TO THE
 REVISIONS AND INFORMATION, REFER TO THE
 REVISIONS AND INFORMATION, REFER TO THE
 REVISIONS AND INFORMATION, REFER TO THE

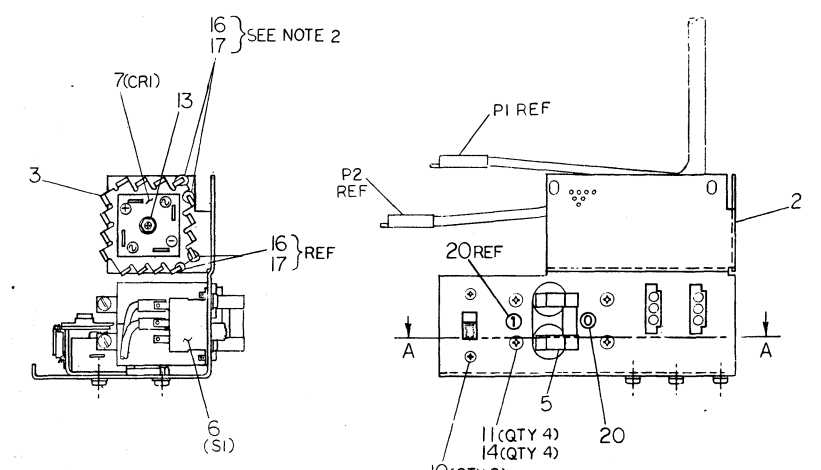
NOTES:
 1. DRESS ORG LEAD OF ITEM 6(S1) AROUND ITEM 2(B) AND LAY IN WITH MAIN HARNESS BODY. USE ITEM 18 (CABLE TIES) APPROX WHERE SHOWN.
 2. CUT ITEM 16 (CAT-R PILLAR GRONMET) TO 70 LG. 4 PIECES CEMENT IN PLACE WITH ITEM 17 (PERMABOND ADHESIVE) AS SHOWN.



WIRING DIAGRAM



SECTION A-A



VIEW SHOWN WITH ITEM 1 (HARNESS) REMOVED FOR CLARITY

CAUTION: OFF SHEET PARTS LIST
 SEE B-PL-7016048-0-0

QUANTITY & VARIATION	DESCRIPTION	DWG. PART NO.	ITEM NO.
1	RELAY ASSY	H7140	1

UNLESS OTHERWISE SPECIFIED DIMENSIONS ARE IN INCHES	ANGLE OF SP	AS SHOWN
SURFACE QUALITY	CHECK ONE	AS SHOWN
QUANTITY & VARIATION	AS SHOWN	AS SHOWN
THIRD ANGLE PROJECTION	ORIGINATOR'S SYMBOL	FIRST USED ON
REVISIONS AND CHANGES	PROJ. ENG.	DATE
DO NOT SCALE DIMS	NEXT HIGHER ASSY.	SIZE CODE
MATERIAL SEE PARTS LIST	AD-7016048-0-0	NUMBER
FINISH	SHEET	DIST.

REVISIONS AND CHANGES

DIGITAL EQUIPMENT CORPORATION PARTS LIST				QUANTITY / VARIATION										NOTES:					
MADE BY DATE		CHECKED DATE		SECTION															
ENG DATE		PROD DATE		ISSUED SECTION															
ITEM NO.	DRAWING NO.	PART NO.	DESCRIPTION																REF DESIGNATION
1	D-IA-7016049-0-0	7016049-00	HARNES, A.C. INPUT	1															
2	D-MD-7422040-0-0	7422040-00	BRACKET, INPUT	1															
3		1216688-00	HEAT SINK	1															
4		1216206-00	RELAY, PWR 12V COIL. SPST 30A	1															
5		1212124-01	CKT BKR, 2 P SERIES TRIP, 20A 240V	1															
6	C-IA-7016923-0-0	7016923-00	SWITCH ASSY	1															
7		1116216-00	BRIDGE RECTIFIER IF = 30A, 600V VR	1															
8		9006966-00	TERMINAL, P.C.B. 2 POS INS, TURRET	2															
9		1314848-00	RESISTOR 3 OHM 5% 7 WATT	1															
10		9000039-06	SCR, PHIL, FLAT HD #4-40 x .187	2															
11		9006020-01	SCR, PHIL, PAN HD #6-32 x .250	6															
12		9006021-01	SCR, PHIL, PAN HD #6-32 x .312	1															
13		9009243-00	NUT, KEP #6-32 x 5/16 AF S.S.	1															
14		9007801-00	WASHER, LOCK SS #6	7															
15		9107560-03	WIRE BUSS #18 AWG	.21	FT														
16		9007036-00	GROMMET, CATERPILLAR	.25	FT														
17		9009157-00	ADHESIVE, PERMABOND	A/R															
18		9007031-00	TIE, CABLE SST1-M	3															
19		9009255-00	LABEL, POWER SUPPLY	1															
20		3615680-00	LABEL, SWITCH POSITION, ADH BACK	1															

E.C.O. NO.

"THIS DRAWING AND SPECIFICATIONS, HEREIN, ARE THE PROPERTY OF DIGITAL EQUIPMENT CORPORATION AND SHALL NOT BE REPRODUCED OR COPIED OR USED IN WHOLE OR IN PART AS THE BASIS FOR THE MANUFACTURE OR SALE OF ITEMS WITHOUT WRITTEN PERMISSION. COPYRIGHT © 1979 DIGITAL EQUIPMENT CORPORATION"

TITLE
RELAY ASSY

ASSY NO.
E-AD-7016048-0-0
SHEET 1 OF 1

SIZE CODE NUMBER
B PL 7016048-0-0
INSERTION PARTS LIST DATA BASE REV

REV.
*

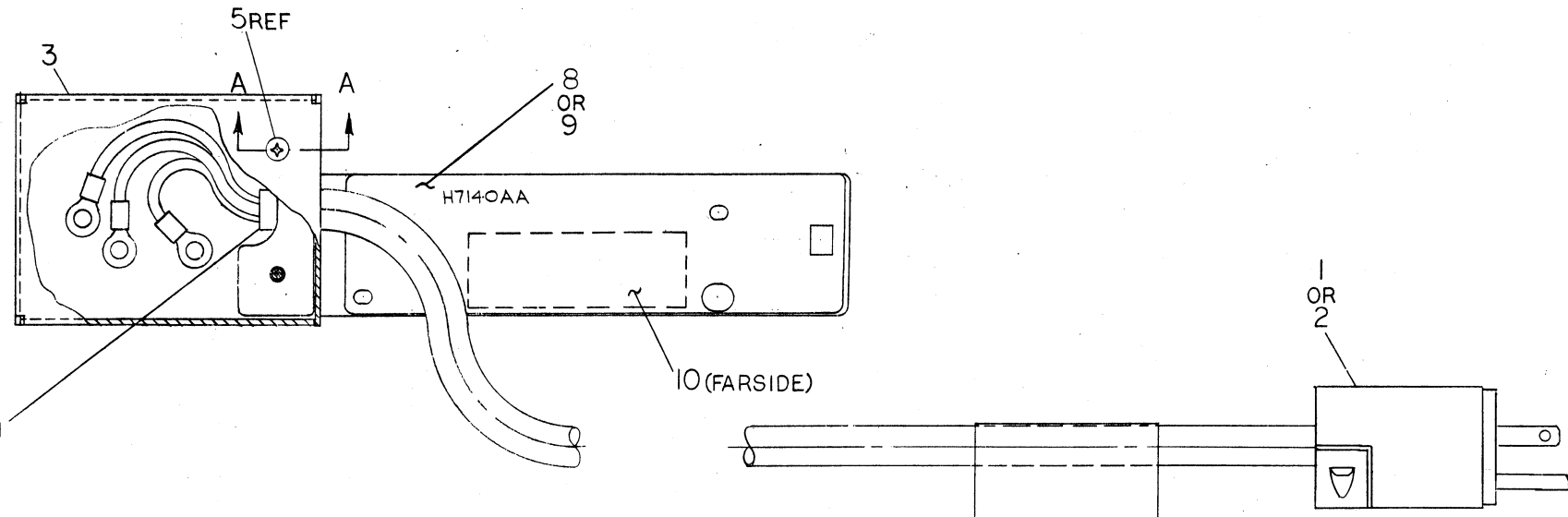
TW

THIS DRAWING AND SPECIFICATIONS, HEREIN, ARE THE PROPERTY OF DIGITAL EQUIPMENT CORPORATION AND SHALL NOT BE REPRODUCED OR COPIED OR USED IN WHOLE OR IN PART AS THE BASIS FOR THE DESIGN OR CONSTRUCTION OF ITEMS WITHOUT WRITTEN PERMISSION OF DIGITAL EQUIPMENT CORPORATION. COPYRIGHT © 1979.

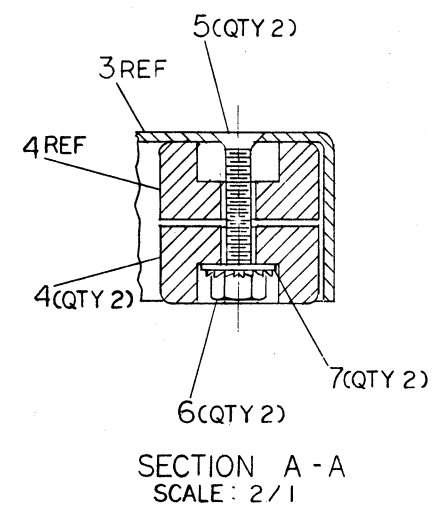
PARTS LEGEND	
PART NO.	VARIATION
7016478-00	120V (H7140AA)
7016478-01	220V-240V (H7140AB)

* 0-0-8279102 2

NOTES:
 1. OUTSIDE JACKET OF ITEM 1 OR 2 (LINE CORD) TO EXTEND APPROX. .25 IN. BEYOND CLAMPING AREA OF ITEM 4 (CABLE CLAMP).



SEE NOTE 1



QTY	DESCRIPTION	QTY/PART NO.	ITEM NO.
1	LABEL, PWR SUPPLY	9009255-00	10
1	LABEL, H7140AB (220-240V)	3616977-01	9
1	LABEL, H7140AA (120V)	3616977-00	8
2	2 WASHER, FLAT #8-32 X 1/32 AF	9006660-00	7
2	2 NUT, KEP #8-32 X 1/32 AF	9006563-00	6
2	2 SCR, FLAT, PHIL #8-32 X 1" LG	9006042-02	5
2	2 CLAMP, CABLE	1215566-00	4
1	1 COVER, A.C.	D-MD-7422048-0	3
1	1 CORD ASSY, LINE (220-240V)	D-1A-7016907-1-0	2
1	1 CORD ASSY, LINE (120V)	D-1A-7016907-0-0	1

7016478-01	7016478-00	DESCRIPTION	QTY/PART NO.	ITEM NO.
UNLESS OTHERWISE SPECIFIED DIMENSIONS ARE IN INCHES				
SURFACE QUALITY IN MICROINCHES				
PREFERRED				
THIRD ANGLE PROJECTION				
DRN. <i>[Signature]</i>	5-16-79	FIRST USED ON	H7140	
CHK'D <i>[Signature]</i>	8-10-79	TITLE	POWER CORD ASSY	
ENG. <i>[Signature]</i>	8-10-79	SCALE	D AD 7016478-0-0	
PROJ. ENGR. <i>[Signature]</i>	8-10-79	SHEET	1 OF 1	
PROD. <i>[Signature]</i>	7-12-79	DIST.	TW 1	
REVISIONS				
NO.	CHANGE NO.	REV.		
1				

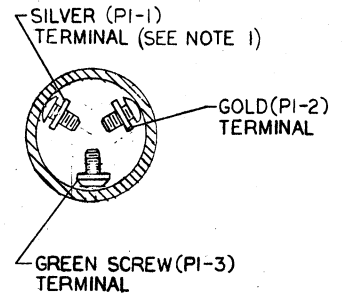
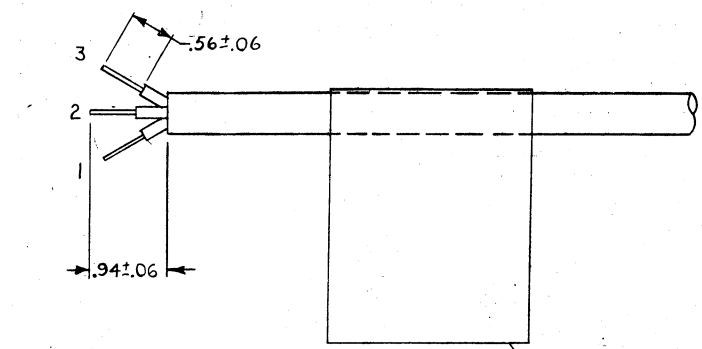
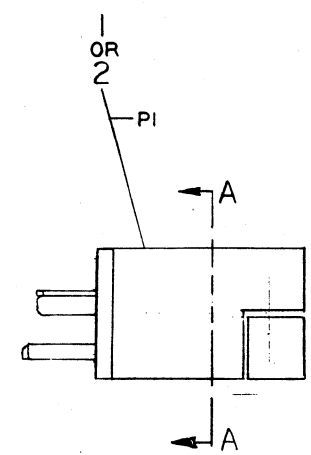
PART 7016478-0-0

THIS DRAWING AND SPECIFICATIONS, WHEN USED IN CONNECTION WITH THE
 INSTRUCTIONS FOR THE USE OF THE EQUIPMENT, SHALL
 BE CONSIDERED AS PARTS OF THE EQUIPMENT.
 Copyright © 1979, General Equipment Corporation

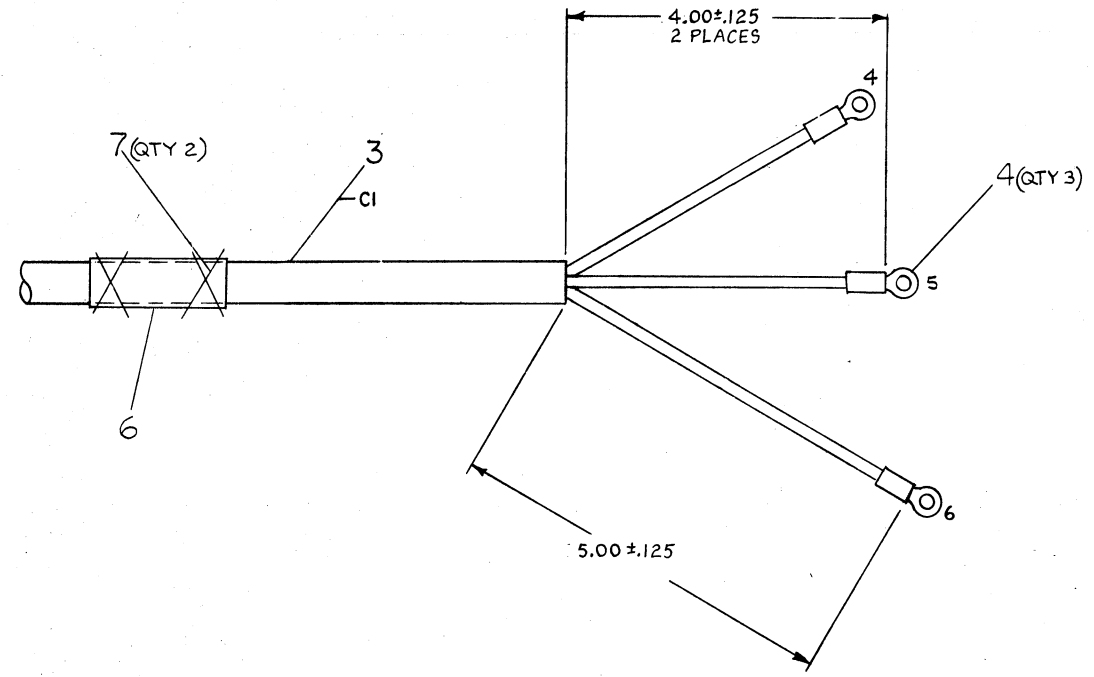
ITEM	DESCRIPTION		TO			FROM			LENGTH
	AWG	COLOR	POINT	CONNECTION	WITH	POINT	CONNECTION	WITH	
3	14	GRN/YEL	CI-1	PI-3	---	CI-6	---	4	9'5.0±2.0"
3	14	BLU	CI-2	PI-1	---	CI-5	---	4	9'4.0±2.0"
3	14	BRN	CI-3	PI-2	---	CI-4	---	4	9'4.0±2.0"

PARTS LEGEND	
PART NUMBER	VARIATION
7016907-00	120V
7016907-01	220V-240V

NOTES:
 1. TERMINAL PI-1 SILVER ON 120 V (215183-00)
 VARIATION ONLY. ON 230V VARIATIONS (9008853-00)
 PI-1 & PI-2 ARE GOLD.
 2. AFTER ASSY, COIL ITEM 3 (PWR CORD)
 3 TIMES LEAVING ENDS APPROX 18 INCHES
 EACH SIDE. CABLE TIE COILS TOGETHER
 USING ITEM 7.



SECTION A-A
 (ITEM #1 SHOWN)



ITEM NO.	DESCRIPTION	QTY	PART NO.	ITEM NO.
3	CABLE TIE SSTI-M	2	9007031-00	7
1	LABEL, CABLE IDENT.	1	9009532-00	6
1	LABEL, AC LINE CORD WARNING	1	3611448-00	5
3	TERMINAL RING, 1 POS, INS, 14AWG	3	9007928-00	4
3	POWER CORD, 14-3, 15A, 300V	3	1700027-01	3
1	CONN, PWR PLUG NEMA 6-15P	1	9008853-00	2
1	CONN, PWR PLUG NEMA 5-20P	1	1215183-00	1

UNLESS OTHERWISE SPECIFIED DIMENSIONS ARE IN INCHES	
ANGLES ±0.25°	CLASS OF ACCURACY
CURFACE QUALITY IN MICROINCHES	(CHECK ONE)
QUANTITY & VARIATION	PREFERRED
THIRD ANGLE PROJECTION	
DO NOT SCALE DWG	
MATERIAL SEE PARTS LIST	
FINISH	
DRN. <i>D. Mung</i> 5/18/79	FIRST USED ON
CHK'D <i>[Signature]</i> 7/24/79	H7140
ENG. <i>[Signature]</i> 7-24-79	TITLE
PROJ. ENG. <i>[Signature]</i> 7-24-79	LINE CORD ASSY
PROD. <i>[Signature]</i> 7-12-79	
NEXT HIGHER ASSY.	
D-AD-7016478-0-0	SIZE
SCALE NONE	CODE
ENSET	DIST.
	NUMBER
	AD 7016907-0-0
	REV.
	*

REV.	CHANGE NO.

8

7

6

5

4

3

DJA 5413663-0-0

2

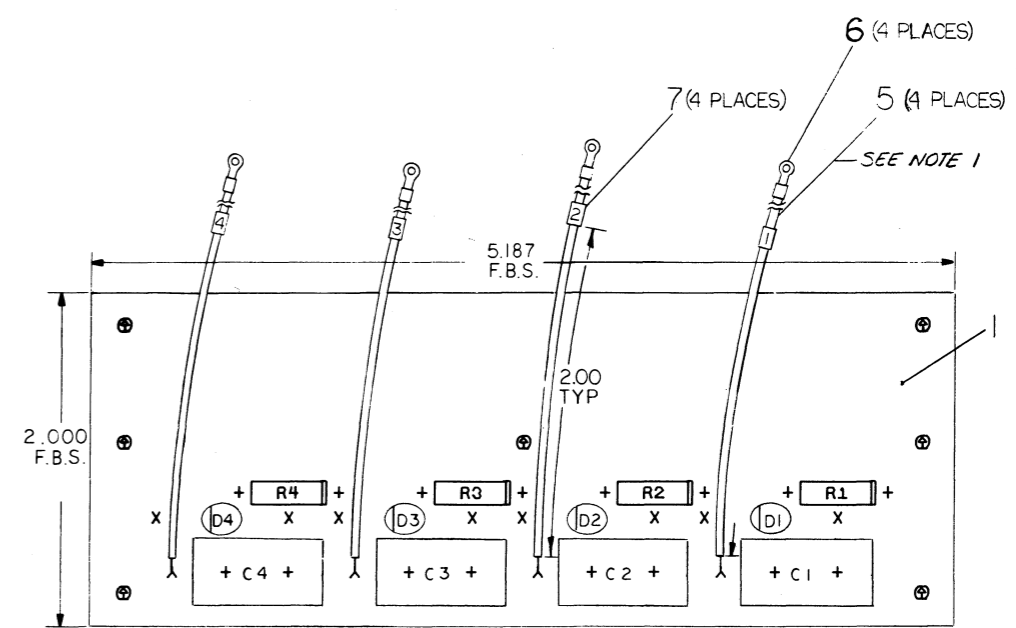
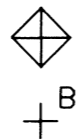
1

THIS DRAWING AND ALL INFORMATION CONTAINED HEREIN ARE THE PROPERTY OF DIGITAL EQUIPMENT CORPORATION AND SHALL BE KEPT IN CONFIDENTIALITY AND NOT TO BE REPRODUCED OR TRANSMITTED IN ANY FORM OR BY ANY MEANS, ELECTRONIC OR MECHANICAL, INCLUDING PHOTOCOPYING, RECORDING, OR BY ANY INFORMATION STORAGE AND RETRIEVAL SYSTEM.

COMPONENT SIDE VIEW

D
C
B
A

D
C
B
A



NOTES: 1. WIRE (ITEM 5) SHOULD BE PRECUT TO 4" LENGTHS (4 PIECES REQUIRED)

CHG	NO	REV

ETCH REV.	A
P.C. DESIGN DATA BASE REV.	A

SIGNATURES		DATE	digital
DRN.	<i>[Signature]</i>	7-7-78	
CHK'D.	<i>[Signature]</i>	7-14-78	TITLE H7140 SNUBBER BOARD
ENG.	<i>[Signature]</i>	6-26-78	
PROJ. ENG.	<i>[Signature]</i>	6-26-78	
PROD.	<i>[Signature]</i>	7-15-78	SIZE CODE NUMBER REV d UA 5413663-0-0 *
SCALE	2 / 1"		
SHT.	1 OF 2		
NEXT HIGHER ASSY.	B-DD-5413663-0		

8

7

6

5

4

3

2

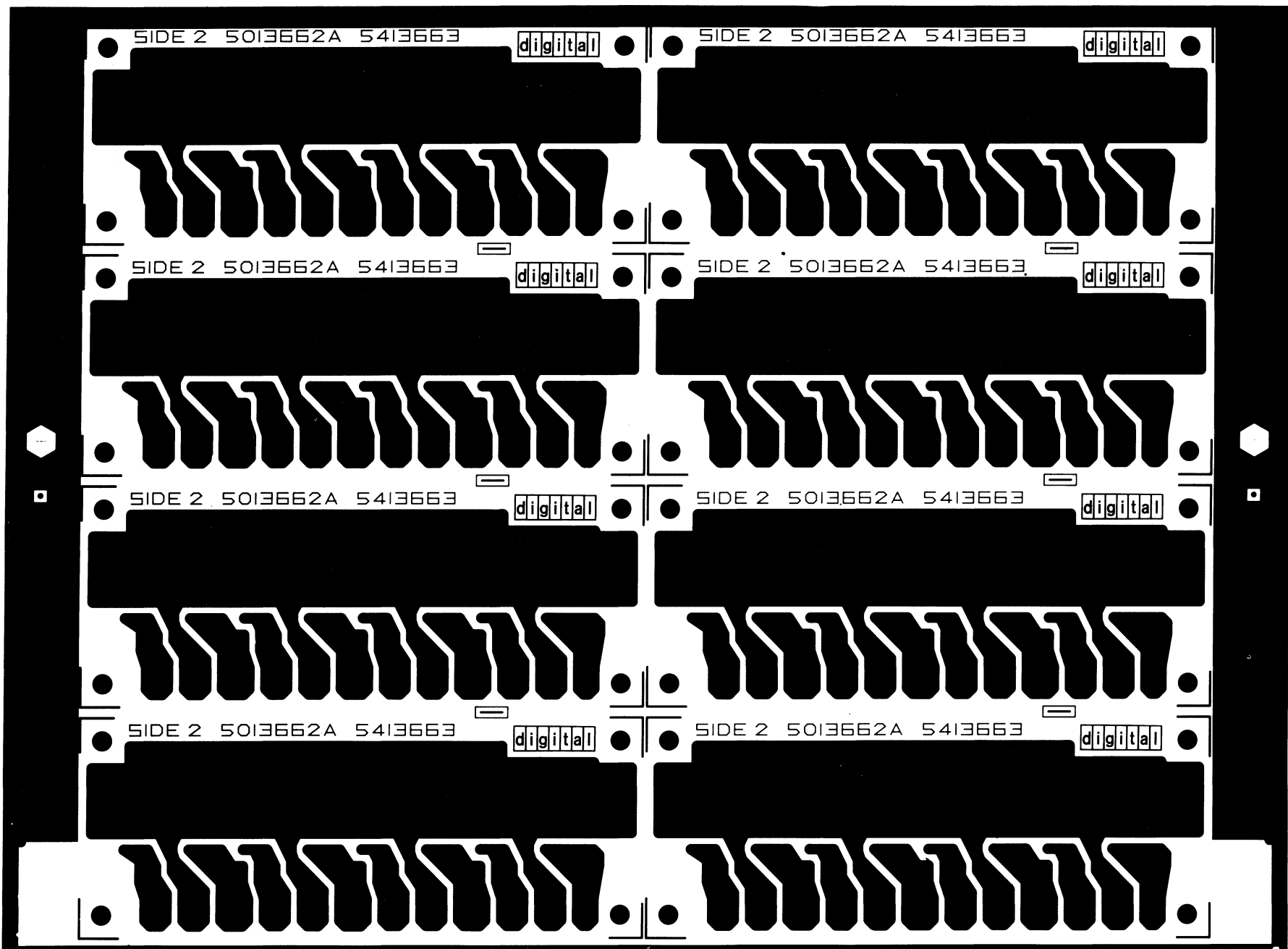
TU 1 MS# 125683A

"THIS DRAWING AND SPECIFICATIONS, HEREIN, ARE THE PROPERTY OF DIGITAL EQUIPMENT CORPORATION AND SHALL NOT BE REPRODUCED OR COPIED OR USED IN WHOLE OR IN PART AS THE BASIS FOR THE MANUFACTURE OR SALE OF ITEMS WITHOUT WRITTEN PERMISSION. COPYRIGHT © 1979 DIGITAL EQUIPMENT CORPORATION"

REV. 0-0-2992175
 DUA 5413663-0-0

D
C
B
A

D
C
B
A



REVISIONS		
CHK	CHANGE NO.	REV.

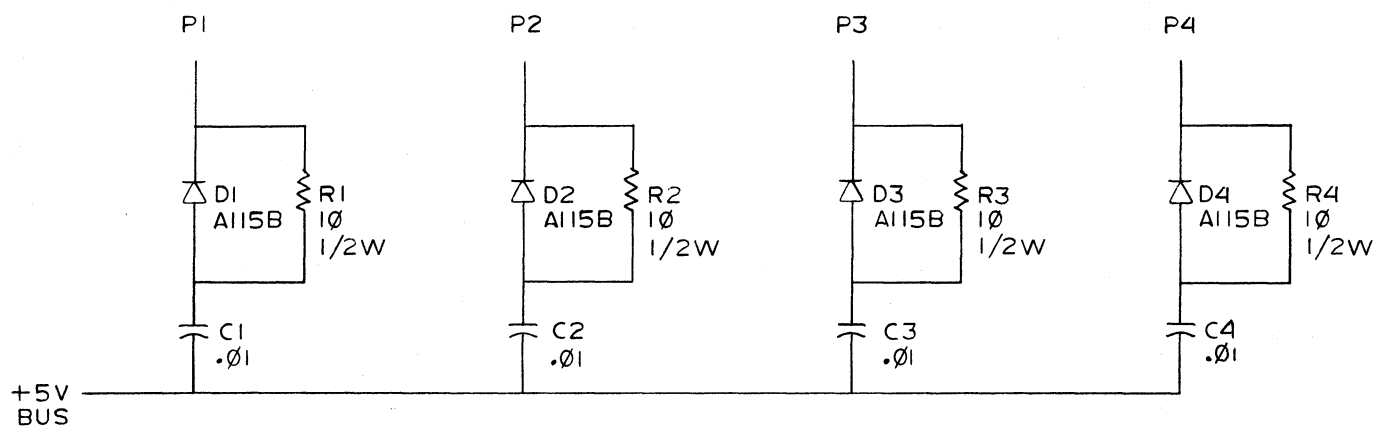
DEC FORM NO 580 127

TITLE: H7140 SNUBBER BOARD
 SCALE: 2/1
 SHEET: 2 OF 2
 SIZE CODE: DUA
 NUMBER: 5413663-0-0
 REV.: *

8 7 6 5 4 3 2 1

DUA 5413663-0-0 *

"THIS DRAWING AND SPECIFICATIONS, HEREIN, ARE THE PROPERTY OF DIGITAL EQUIPMENT CORPORATION AND SHALL NOT BE REPRODUCED OR COPIED OR USED IN WHOLE OR IN PART AS THE BASIS FOR THE MANUFACTURE OR SALE OF ITEMS WITHOUT WRITTEN PERMISSION. COPYRIGHT © 1978 DIGITAL EQUIPMENT CORPORATION"



REVISIONS	REV.
	CHANGE NO.
	CHK

QTY.	DESCRIPTION	PART NO.	ITEM NO.
PARTS LIST			
DRN. <i>James Angel</i>	DATE 5-29-78	<div style="border: 2px solid black; padding: 5px; display: inline-block; font-weight: bold; font-size: 1.2em;">digital</div> TITLE H7140 SNUBBER BOARD	
CHK'D. <i>James</i>	DATE 6-22-78		
ENG. <i>A. Norman</i>	DATE 6/26/78		
PROJ. ENG. <i>A. Norman</i>	DATE 6/26/78		
PROD. <i>F. Morris</i>	DATE 7-13-78		
NEXT HIGHER ASSY.		SIZE CODE	NUMBER
FIRST USED ON OPTION/MODEL		C CS	5413663-0-1
SCALE	NONE		REV. *
SHEET	OF	DIST.	

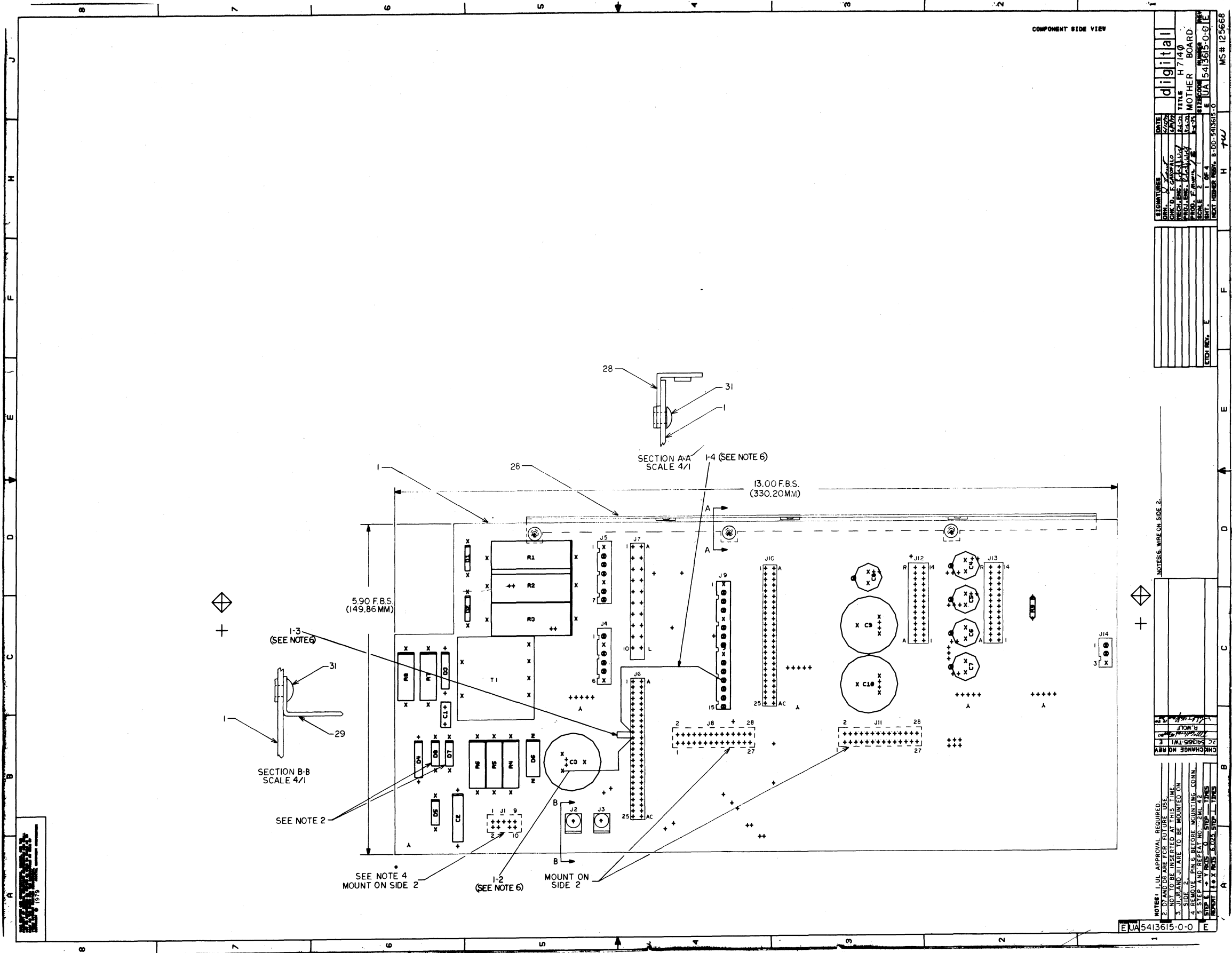
SIZE CODE C CS
 NUMBER 5413663-0-1
 REV. *

TW

LINE	ITEM	DOCUMENT NUMBER	PART NUMBER	DESCRIPTION	QTY PER VARIATION 00	REFERENCE DESIGNATOR
1	1	D-MD-5013662-0-0	5013662-00	DRILL & FTCH BD	1	
2	2		1011847-01	.01 MFD 400V 10% POLYPROP	4	C1-C4
3	3		1112594-01	A1158 PIV=200 I= 3A	4	D1-D4
4	4		1300168-00	10 1/2W 5% CC	4	R1-R4
5	5		9107801-33	WIRE,STRND,20AWG IPVC UL1431	A/R	
6	6		9007930-00	TERM RING 1POS INSULATED,22-16	4	
7	7		9008356-01	WIRE IDENTIFIER,(1-48)	1	

NOTE: ITEM #5, 1.33" IS USED.

REVISION HISTORY		BASIC PART NO: 5413663		DRN:	K.FRIEDGEN	DATE:	22-MAY-79	D I G I T A L			
ENG	ECO NUMBER	REV	SECTION A OF A	CHK'D:	J.CASEY	DATE:	19-JUL-79	TITLE PARTS LIST			
---	INITIAL	*	SECTION VARIATION INDEX	DFS.ENG:	J.A.HERRMANN	DATE:	22-MAY-79	DOCUMENT NUMBER			
			(A) 00	RESP.ENG.:	J.A.HERRMANN	DATE:	22-MAY-79	SIZE	CODE	NUMBER	REV
			(B)	MFG.ENG.:	F.MUNIZ	DATE:	19-JUL-79	K	PL	5413663-0-DBP	*
			(C)	ASSEMBLY NUMBER:	D-UA-5413663-0-0	TOP DOCUMENT NUMBER:	D-MD-5413663-0-0	FILE NAME:	13663.PLS	EDIT	*
			(D)								8
			(E)								
			(F)								
			(G)								
			(H)								
			(I)								
			(J)								
			(K)								
			(L)								
			(M)								
			(N)								
<p>"THIS DRAWING AND SPECIFICATIONS HEREIN, ARE THE PROPERTY OF DIGITAL EQUIPMENT CORPORATION AND SHALL NOT BE REPRODUCED OR COPIED OR USED IN WHOLE OR IN PART AS THE BASIS FOR THE MANUFACTURE OR SALE OF ITEMS WITHOUT WRITTEN PERMISSION. COPYRIGHT (C) 1979, DIGITAL EQUIPMENT CORPORATION"</p>											



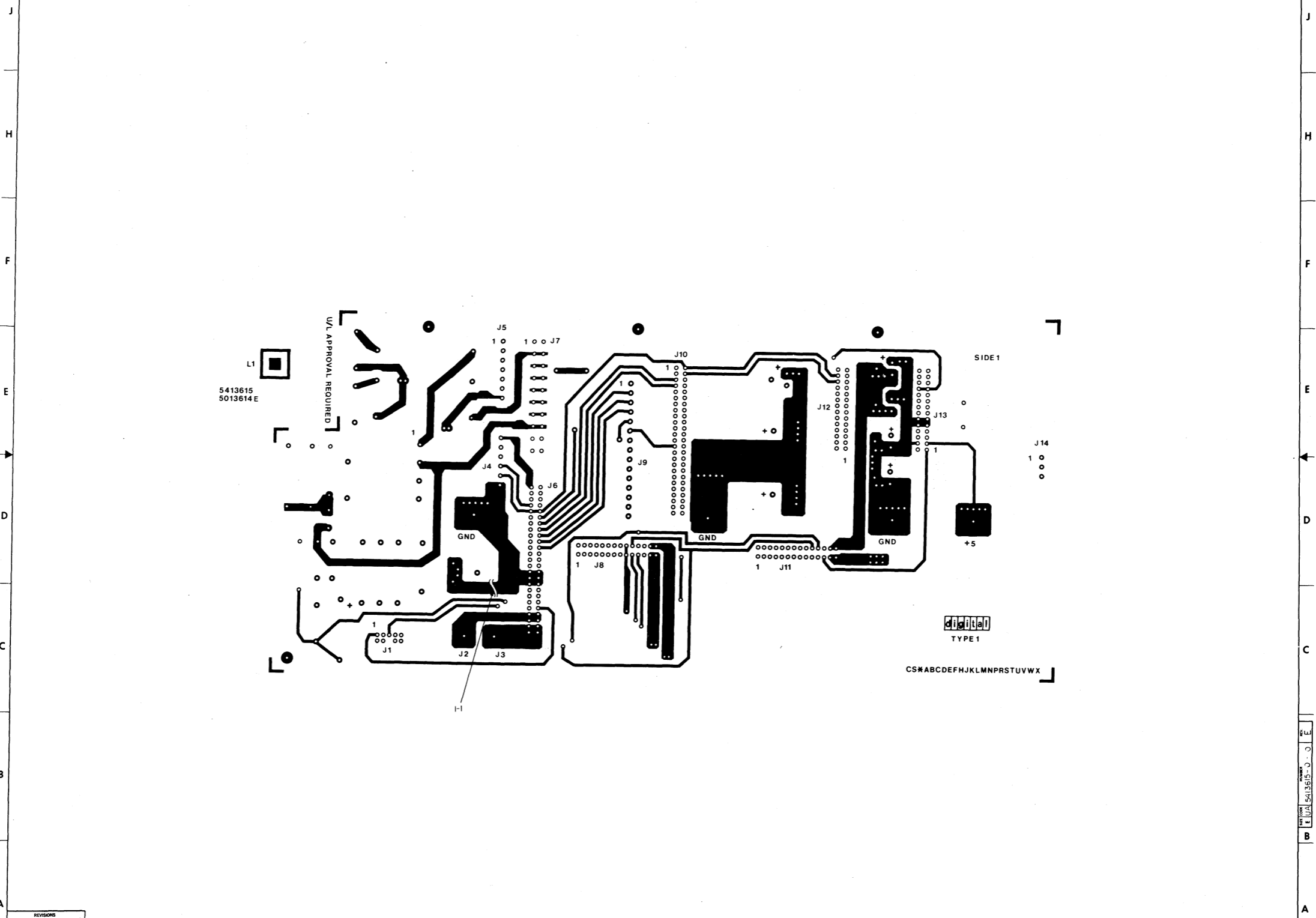
DATE	1/27/73	digital
CHECKED BY	F. GAROFALO	TITLE
DESIGNED BY	F. GAROFALO	H7140
APPROVED BY	F. GAROFALO	MOTHER BOARD
SCALE	1 OF 4	EJA5413615-0-0
REV.	1	MS# 125668

NOTES & WIRE ON SIDE 2
1. CHANGE NO. 1
2. CHANGE NO. 2
3. CHANGE NO. 3
4. CHANGE NO. 4
5. CHANGE NO. 5
6. CHANGE NO. 6
7. CHANGE NO. 7
8. CHANGE NO. 8
9. CHANGE NO. 9
10. CHANGE NO. 10

EJA5413615-0-0

8 7 6 5 4 3 2 1

THIS DRAWING AND SPECIFICATIONS HEREIN ARE THE PROPERTY OF DIGITAL EQUIPMENT CORPORATION AND SHALL NOT BE REPRODUCED OR COPIED OR USED IN WHOLE OR IN PART AS THE BASIS FOR THE MANUFACTURE OR SALE OF ITEMS WITHOUT WRITTEN PERMISSION. COPYRIGHT © 1982 DIGITAL EQUIPMENT CORPORATION



REVISIONS		
CHK	CHANGE NO.	REV.

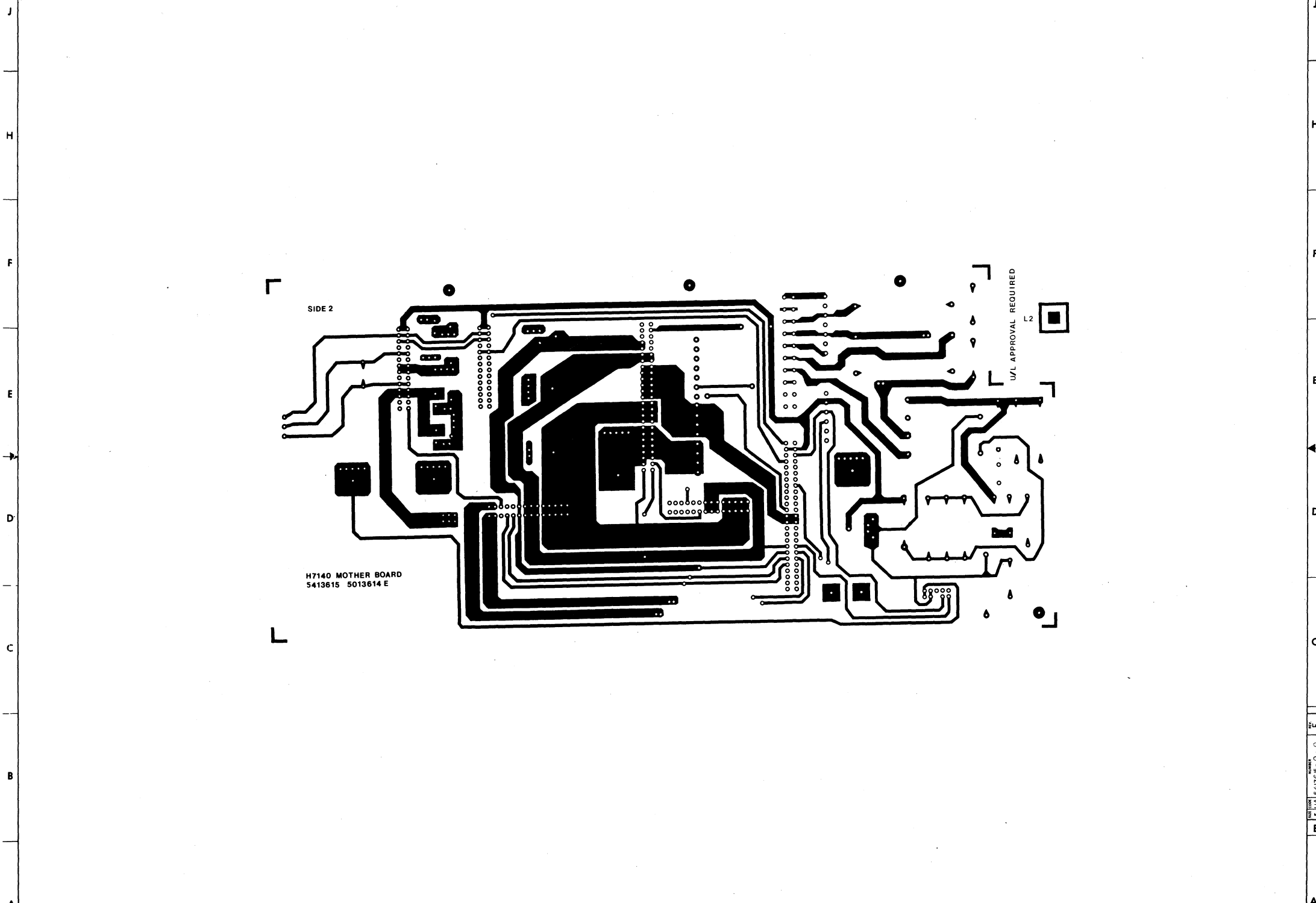
8 7 6 5 4 3 2 1

TITLE	H7140 MOTHER BD	DESIGNER	EUA	NUMBER	5413615-0-0	REV.	E
SCALE	2-1	SHEET	2 OF 4	DIST.			

FILE
LUA5413615-0-0

8 7 6 5 4 3 2 1

THIS DRAWING AND SPECIFICATIONS HEREIN ARE THE PROPERTY OF SUTRA ELECTRONIC CORPORATION AND SHALL NOT BE REPRODUCED OR COPIED IN WHOLE OR IN PART WITHOUT THE WRITTEN PERMISSION OF SUTRA ELECTRONIC CORPORATION.



SIDE 2

H7140 MOTHER BOARD
5413615 5013614 E

U/L APPROVAL REQUIRED
L2

REVISIONS		
CHK	CHANGE NO.	REV.

8	7	6	5	4	3	2	1
---	---	---	---	---	---	---	---

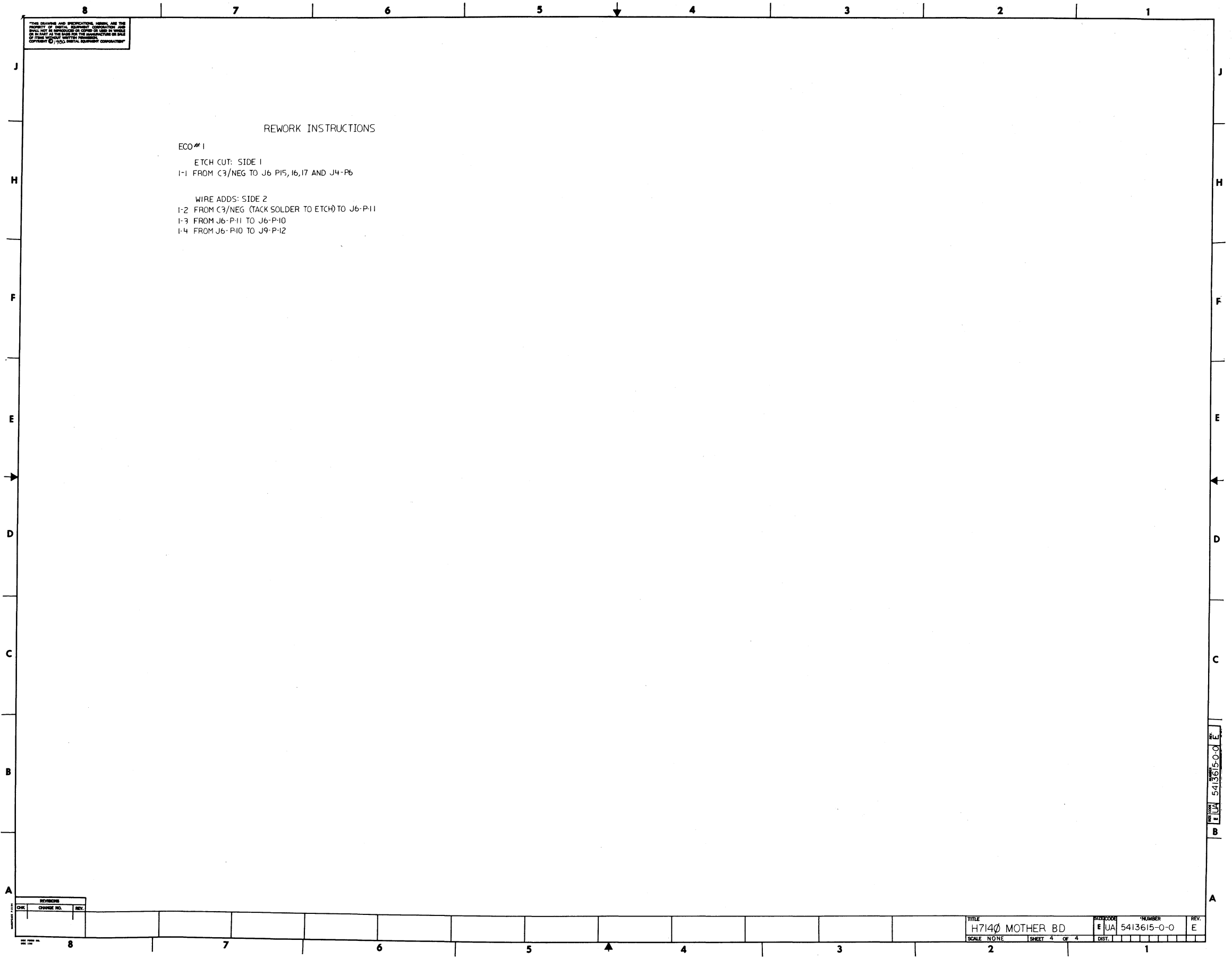
TITLE	H7140 MOTHER BD	REV.	E
SCALE	2-1	NUMBER	5413615-0-0
SHEET	3 OF 4	DIST.	

5413615-0-0 E

THIS DRAWING AND SPECIFICATIONS, HEREIN, ARE THE PROPERTY OF GUNTER, SQUAMOND, CORPORATION AND SHALL NOT BE REPRODUCED OR COPIED IN WHOLE OR IN PART AS THE BASIS FOR THE MANUFACTURE OR SALE OF ANY PRODUCT WITHOUT THE WRITTEN CONSENT OF GUNTER, SQUAMOND, CORPORATION.

REWORK INSTRUCTIONS

- ECO # 1
- ETCH CUT: SIDE 1
 1-1 FROM C3/NEG TO J6 P15, 16, 17 AND J4-P6
- WIRE ADDS: SIDE 2
 1-2 FROM C3/NEG (TACK SOLDER TO ETCH) TO J6-P11
 1-3 FROM J6-P11 TO J6-P10
 1-4 FROM J6-P10 TO J9-P12

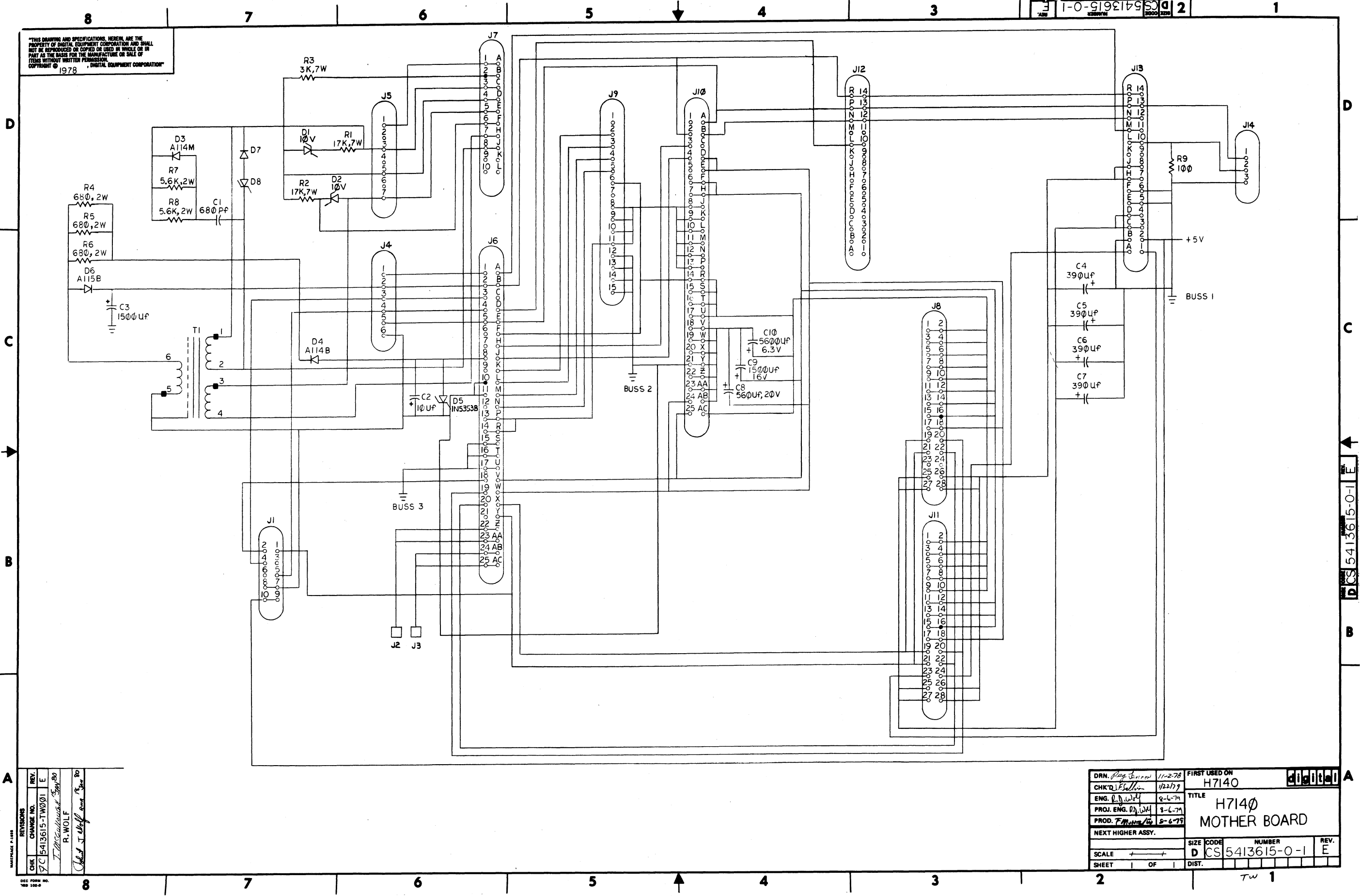


REVISIONS	
CHK	REV.

TITLE	H7140 MOTHER BD	SHEET	4	OF	4	DIST.															
SCALE	NONE	NO. 0008		NUMBER																	

H7140 MOTHER BD
 5413615-0-0
 E

THIS DRAWING AND SPECIFICATIONS, HEREIN, ARE THE PROPERTY OF DIGITAL EQUIPMENT CORPORATION AND SHALL NOT BE REPRODUCED OR COPIED OR USED IN WHOLE OR IN PART AS THE BASIS FOR THE MANUFACTURE OR SALE OF ITEMS WITHOUT WRITTEN PERMISSION. DIGITAL EQUIPMENT CORPORATION, COPYRIGHT © 1978



REV.	CHANGE NO.	DATE	BY
E	1	11-2-78	R. WOLF
D	1	8-6-78	R. WOLF
C	1	8-6-78	R. WOLF
B	1	8-6-78	R. WOLF
A	1	8-6-78	R. WOLF

DEC FORM NO. 100 100-0

DRN. <i>Prop. Design</i>	11-2-78	FIRST USED ON	H7140	digital
CHK'D. <i>Ballin</i>	1/22/79	TITLE	H7140 MOTHER BOARD	
ENG. <i>D. Wolf</i>	8-6-78	SCALE	+	
PROJ. ENG. <i>D. Wolf</i>	8-6-78	SHEET	1	
PROD. <i>F. Minnie</i>	8-6-78	OF	1	
NEXT HIGHER ASSY.		DIST.		
SIZE	D	CODE	CS 5413615-0-1	REV. E

LINE	ITEM	DOCUMENT NUMBER	PART NUMBER	DESCRIPTION	QTY PER VARIATION	REFERENCE DESIGNATOR
					00	
1	1	D-MD-5013614-0-0	5013614-00	DRILL & ETCH BD	1	
2	2		1004813-00	10 MFD 20V 10% S.TANT	1	C2
3	3		1012607-00	560 MFD 20V H8 672D AL EL	1	C8
4	4		1012607-00	390 MFD 20V H8 67D AL EL	4	C4-C7
5	5		1013280-00	680.0 MMF1000V 50200PPM	1	C1
6	6		1014229-00	1500 MFD 16V +75-10% AL EL	2	C9,C3
7	7		1016169-00	5600 MFD 6.3V +75,-10% AL EL	1	C10
8	8		1110054-00	1N 5353B VZ= 16.0V 5% .40W M	1	D5
9	9		1100125-00	1N 750A VZ= 10.0 5% .40W PPE	2	D1,D2
10	10		1112594-01	A115B PIV=200 I= 3A	1	D6
11	11		1112595-01	A114B PIV=200 I= 1A	1	D4
12	12		1112595-02	A114M PIV=600 I= 1A	1	D3
13	13		1215341-01	HEADER 10POS VERTICAL	1	J1
14	14		1211004-00	SOCKET.100 20POS BOTTOM MOUNT	4	J12,J13,J11,J8
15	15		1211004-04	SOCKET.100 40POS	1	J7
16	16		1211004-05	SOCKET.100 50POS	2	J6,J10
17	17		1216122-01	HEADER.156 7POS KEYED	1	J5
18	18		1216122-02	HEADER.156 15POS KEYED	1	J9
19	19		1216122-04	HEADER.156 3POS	1	J14
20	20		1216122-05	HEADER.156 6POS	1	J4
21	21		1300229-00	100.0 .25 W 5.0 % CC	1	R9
22	22		1300340-00	500.0 2.0 W 5.0 % CC	3	R4-R6
23	23		1300456-00	5.60 K 2.0 W10.0 % CC	2	R7,R8
24	24		1316207-00	3.0 K 7W+,-5% WH	1	R3
25	25		1316209-00	17.0 K 7W+,-5% WH	2	R1,R2
26	26		1616215-00	XFMR P=240/360 S=5V	1	T1
27	27		7422391-00	SUPPORT,MOTHER BOARD	1	
28	28		9000219-00	TERM QUICK 1POS ADAPTER	2	J2,J3
29	31		9009000-00	EYELET, ROLLED FLANGE, .121 OD X	5	
30	32		9107688-55	WIRE(WRAP)24AWG UL1327 A/R		

REVISION HISTORY			BASIC PART NO: 5413615		
ENG	ECO NUMBER	REV	SECTION A OF A	IDRN: M.CICCONE	DATE: 27-MAR-79
---	INITIAL	D	SECTION,VARIATION INDEX	CHK'D: E.T.GERRY	DATE: 27-MAR-79
R.W	TW001	E	[A] 00	DES.ENG: R.WOLF	DATE: 27-MAR-79
			[B]	RESP.ENG.: R.WOLF	DATE: 27-MAR-79
			[C]		
			[D]		
			[E]		
			[F]		
			[H]		
			[J]		
			[K]	MFG.ENG.: P.WAITKUS	DATE: 6-AUG-79
			[L]		
			[M]	ASSEMBLY NUMBER:	TOP DOCUMENT NUMBER:
			[N]	ID-UA-5413615-0-0	FILE NAME: Z0376E.PLS

"THIS DRAWING AND SPECIFICATIONS HEREIN, ARE THE PROPERTY OF DIGITAL EQUIPMENT CORPORATION AND SHALL NOT BE REPRODUCED OR COPIED OR USED IN WHOLE OR IN PART AS THE BASIS FOR THE MANUFACTURE OR SALE OF ITEMS WITHOUT WRITTEN PERMISSION. COPYRIGHT (C) 1980, DIGITAL EQUIPMENT CORPORATION"

TAM

AUTOMATED BY PRTLST,3J(25)

P A R T S L I S T

SHEET A2 OF A2

LINE ITEM DOCUMENT NUMBER

PART NUMBER

DESCRIPTION

QTY PER VARIATION
00

REFERENCE DESIGNATOR

31 NOTE: FOR ITEM #32, 46' IS USED.

D	I	G	I	T	A	L	TITLE	SECTION A OF A	SIZE	CODE	DOCUMENT NUMBER	REV
							MOTHER BOARD		K	PL	5413615-0-DBP	E

TW

8

7

6

5

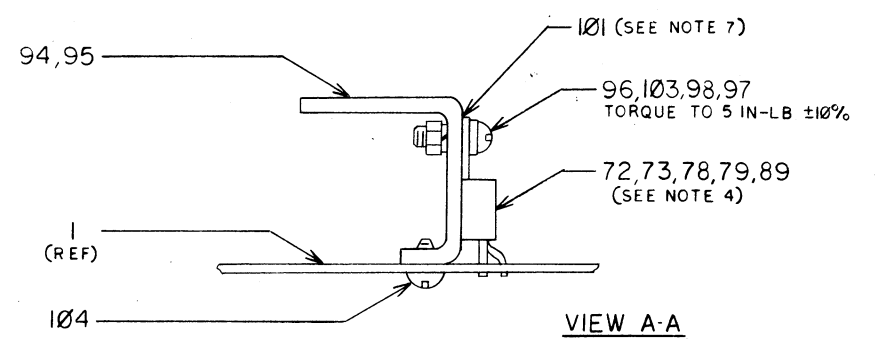
4

3

DUA5413605-0-0 E

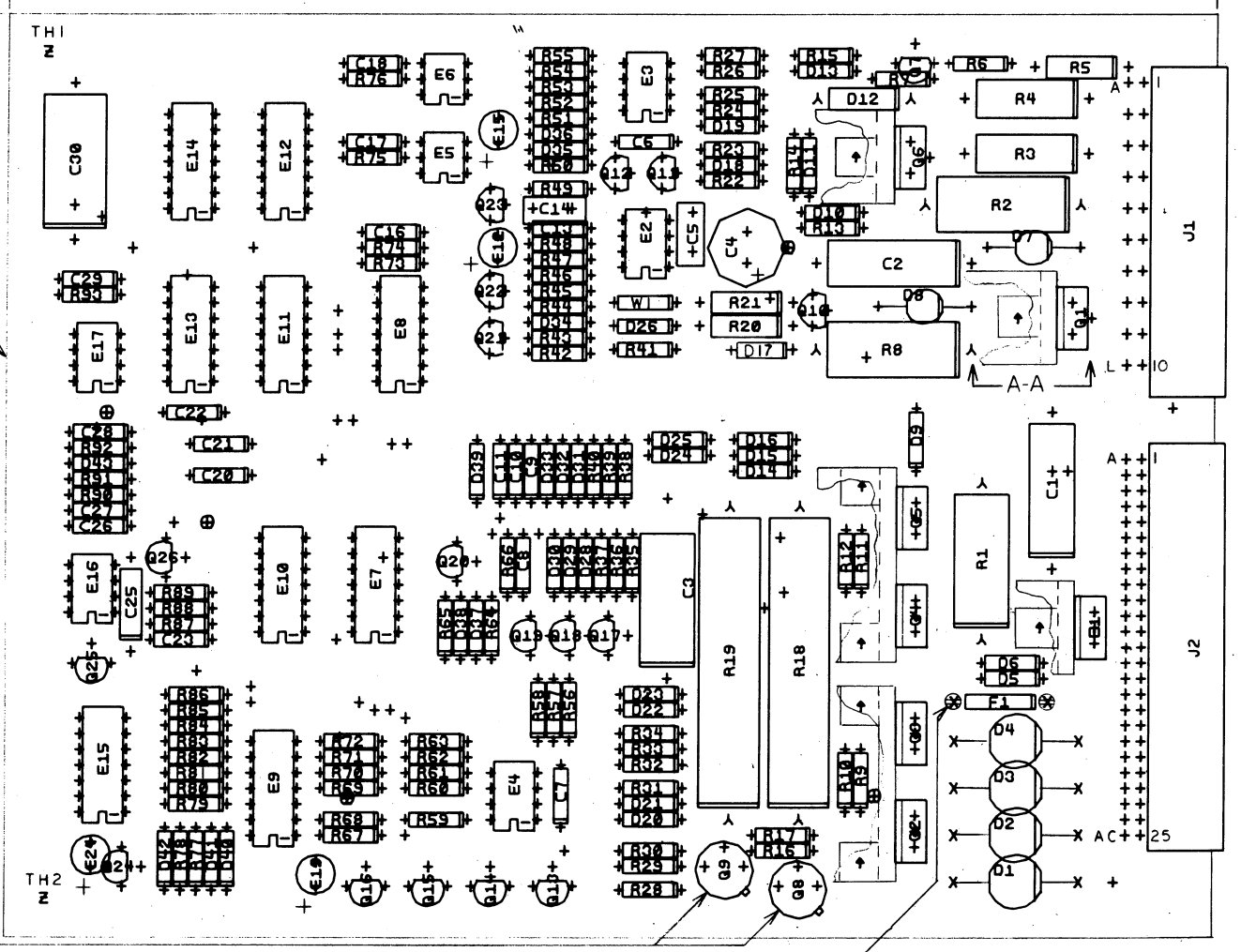
1

THE INFORMATION CONTAINED HEREIN IS UNCLASSIFIED
DATE 03-28-2001 BY 60322 UCBAW/SJS/STP
EXCEPT WHERE SHOWN OTHERWISE
© 1980



7.78 F.B.S.
197.49MM

5.90 F.B.S.
149.86MM



100 (SEE NOTE 6)

99 (SEE NOTE 5)

- NOTES:
1. STEP AND REPEAT CODE 2ML 39
 2. R18, R19 MUST BE RAISED .125" TO .150"
 3. D1 - D4, R1, R2, R8 MUST BE RAISED .05" TO .10"
 4. E1 AND Q1-Q6, MUST BE MOUNTED TO HEAT SINK BEFORE BEING ATTACHED TO PCB.
 5. SEE VIEW A-A.
 6. EYELET ITEM NO. 99, USED IN MOUNTING HOLES OF F1.
 7. USE TRANSIPADS, ITEM NO. 100, UNDER Q8, Q9.
 8. USE THERMAL COMPOUND, ITEM NO. 101, BETWEEN E1, Q1-Q6, AND HEAT SINK'S.

STEP	Y	FIXES	STEP	TIMES
REPEAT	X	FIXES	STEP	TIMES

CHANGE NO	REV	DATE	BY	CHK'D
1	1	10-17-80	R. WOLF	

ETCH REV.	CPI
-----------	-----

SIGNATURES		DATE	digital
DRN. J. Hunt		1-4-80	
CHK'D. Frank Sample		1-17-80	
MECH. ENG. Bob Hill	RWA	10-5-80	TITLE BIAS AND
PROJ. ENG. Bob Hill	RWA	10-3-80	INTERFACE BOARD
PROD. Bob Hill	RWA	10-9-80	SCALE
SHT. 1 OF 1			SIZE CODE NUMBER REV
NEXT HIGHER ASSY. B-DD-5413605-0			D UA 5413605-0-0 E

8

7

5

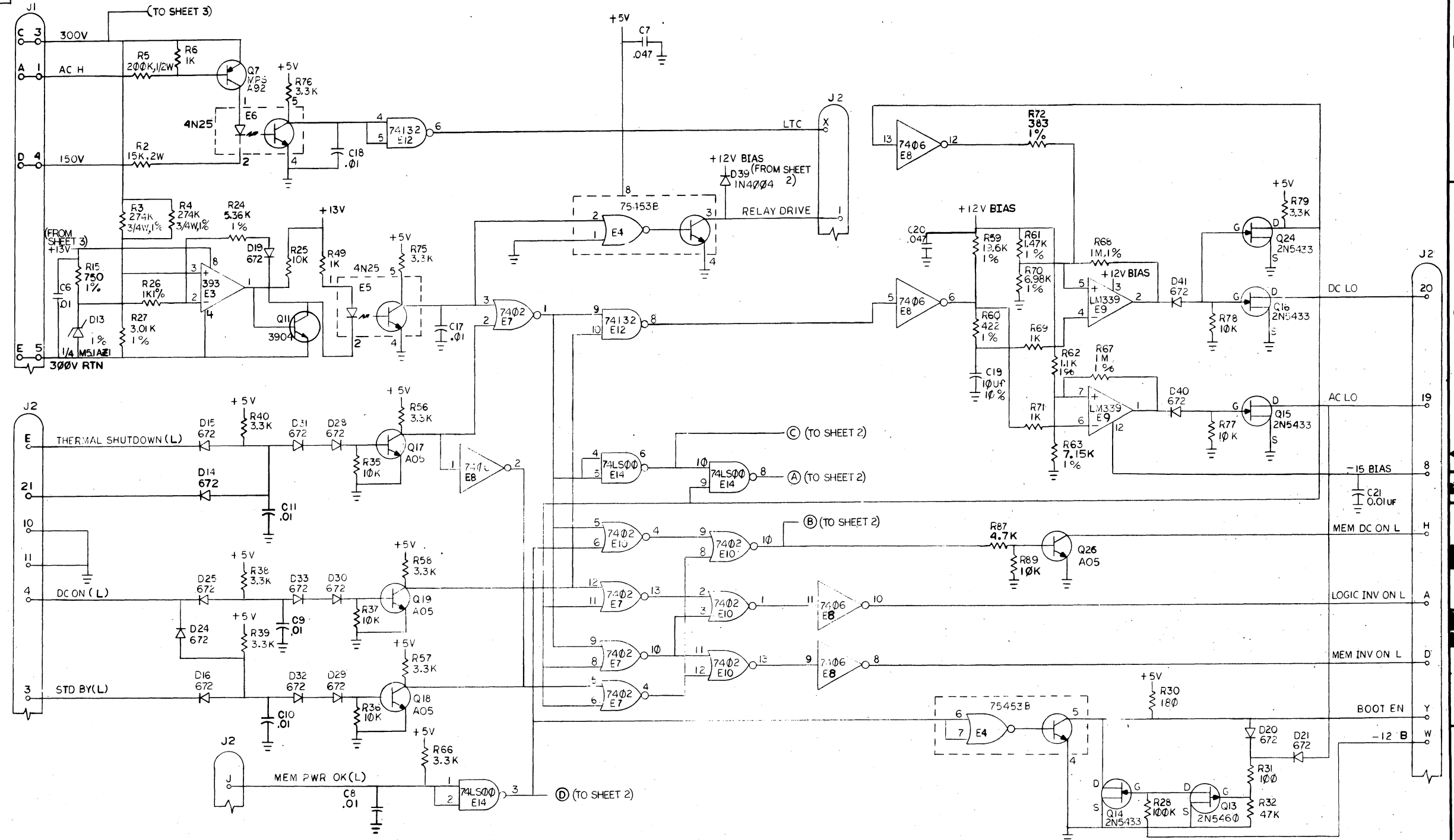
4

3

2

TW 1 MS#171997

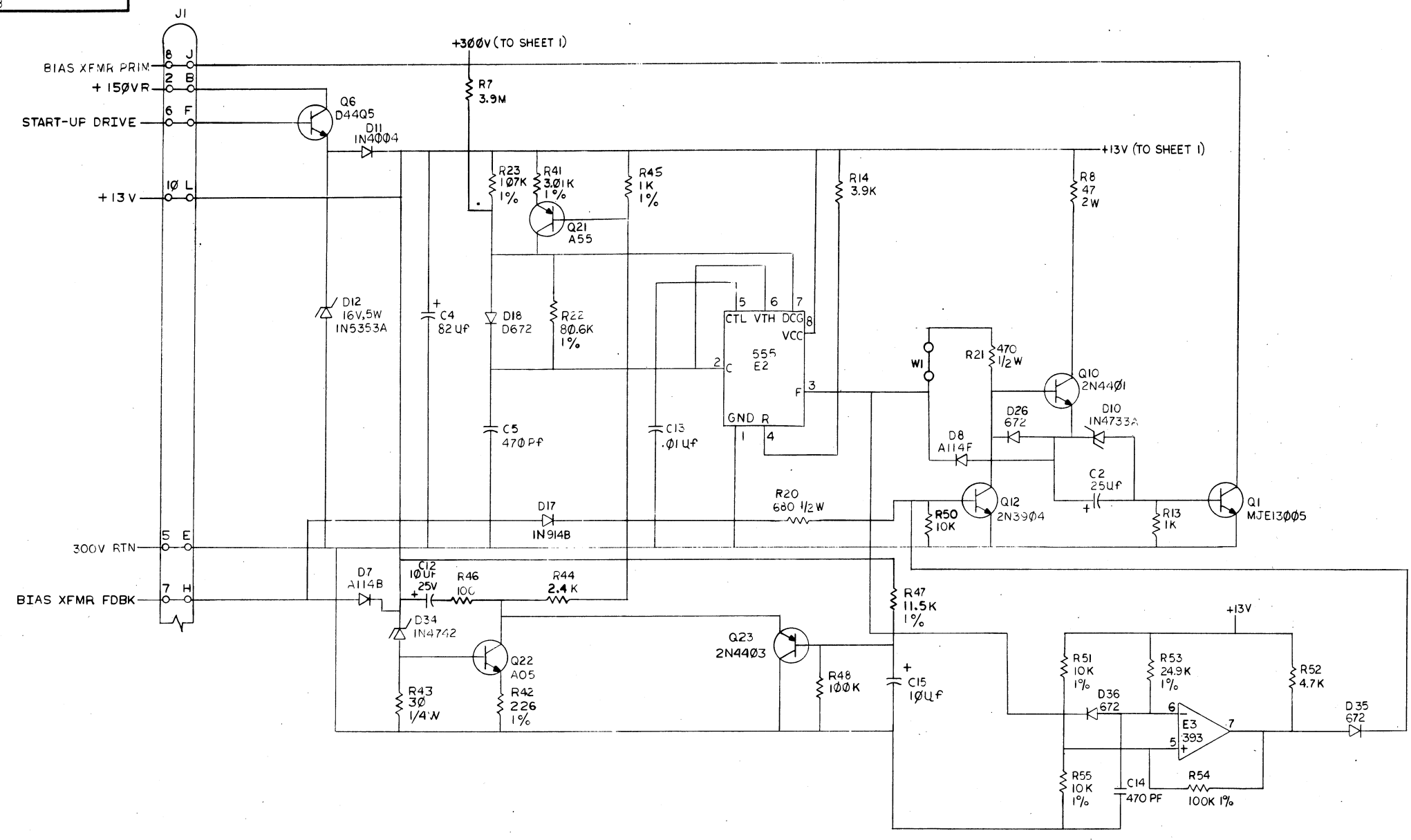
THIS DRAWING AND SPECIFICATIONS HEREIN ARE THE PROPERTY OF DIGITAL EQUIPMENT CORPORATION AND SHALL NOT BE REPRODUCED OR COPIED IN WHOLE OR IN PART AS THE BASIS FOR THE MANUFACTURE OR SALE OF ITEMS WITHOUT WRITTEN PERMISSION.
 DIGITAL EQUIPMENT CORPORATION
 COPYRIGHT © 1976



REV.	REV.	REV.	REV.	REV.	REV.	REV.	REV.	REV.	REV.
1	2	3	4	5	6	7	8	9	10
15413605-TW001	15413605-TW002	15413605-TW003	15413605-TW004	15413605-TW005	15413605-TW006	15413605-TW007	15413605-TW008	15413605-TW009	15413605-TW010
R. NICKERSON	R. WOLF	R. WOLF	R. WOLF	R. WOLF	R. WOLF	R. WOLF	R. WOLF	R. WOLF	R. WOLF

DRN. No.	11-778	FIRST USED ON	20-00-0
CHK'D		TITLE	BIAS AND INTERFACE BOARD
ENG. No.	7-27-77	SCALE	D
PROJ. ENG. No.	7-27-77	SIZE	CS
PROD. No.	7-13-77	NUMBER	5413605-0-1
NEXT HIGHER ASSY.		REV.	E
		SHEET	1 OF 3

"THIS DRAWING AND SPECIFICATIONS, HEREIN, ARE THE PROPERTY OF DIGITAL EQUIPMENT CORPORATION AND SHALL NOT BE REPRODUCED OR COPIED OR USED IN WHOLE OR IN PART AS THE BASIS FOR THE MANUFACTURE OR SALE OF ITEMS WITHOUT WRITTEN PERMISSION. DIGITAL EQUIPMENT CORPORATION. COPYRIGHT © 1978"



REVISIONS		
CHK	CHANGE NO.	REV.

TITLE	BIAS AND INTERFACE BOARD	SIZE/CODE	D	NUMBER	CS 5413605-0-1	REV.	E
SCALE	+	SHEET	3	OF	3	DIST.	

LINE	ITEM	DOCUMENT NUMBER	PART NUMBER	DESCRIPTION	QTY	PER VARIATION	REFERENCE DESIGNATOR
					00		
1	1	D-MD-5013604-0-0	5013604-00	DRILL & ETCH BD	1		
2	2		1000024-00	470.0 MMF 100V 5%200PPM MICA	2		C5,C14
3	3		1000070-00	10 MFD 50V+100-10% AL EL	1		C1
4	4		1000075-00	25 MFD 25V +75-10% AL EL	1		C2
5	5		1001610-00	.01 MFD 50V +80-20% 25U CER	12		C6,C8-C11,C13,C17,C18,C21, CONT C26-C28
6	6		1001776-00	1 MFD 35V 10% S.TANT	1		C25
7	7		1001796-00	50 MFD 25V +75-10% AL EL	1		C3
8	8		1010866-02	10 MFD 25V +50-20% S.TANT	4		C12,C15,C19,C24
9	9		1012784-00	.047 MFD 50V +80-20% CER	6		C7,C16,C20,C22,C23,C29
10	10		1013252-00	82 MFD 50V+100-10% AL EL	1		C4
11	11		1016138-00	1 MFD 50V 1% M.POLYCARB	1		C30
12	12		1105275-00	D 672 TR= 15NS PIV= 60V SI	24		D14-D16,D18-D21,D24-D26,D28-D33, CONT D35-D38,D40-D43
13	13		1105796-00	1N 4004 PIV=400 I= 1A D041 SP	7		D5,D6,D9,D11,D22,D23,D39
14	14		1105871-00	1/4MS.1AZ1 = 5.1 1% .25W N	1		D13
15	15		1109502-00	1N 4742 VZ= 12.0 10% 1W Y	1		D34
16	16		1109517-00	1N 914B TR= 4NS PIV= 75V SY	1		D17
17	17		1109943-00	1N 4733A VZ= 5.1 5% 1W Y	1		D10
18	18		1110420-00	1N 5624 PIV=200 I= 5A	4		D1-D4
19	19		1110854-00	1N 5353B VZ= 16.0V 5% .40W M	1		D12
20	20		1112595-00	A114F PIV= 50 I= 1A	1		D8
21	21		1112595-01	A114B PIV=200 I= 1A	1		D7
22	22		1205747-00	FUSE, SUB-MINI, 5.000A, 125V, A	1		F1
23	23		1216112-02	HEADER,100 40POS RT ANGLE	1		J1
24	24		1216112-03	HEADER,100 50POS RT ANGLE	1		J2
25	25		1300229-00	100.0 .25 W 5.0 % CC	7		R9-R12,R29,R31,R46
26	26		1300309-00	390.0 .25 W 5.0 % CC	2		R33,R34
27	27		1300315-00	470.0 .50 W 5.0 % CC	1		R21
28	28		1300347-00	680.0 .50 W 5.0 % CC	1		R20

REVISION HISTORY			BASIC PART NO: 5413605			DRN: J.FERGUSON			DATE: 16-OCT-80			DIGITAL		
ENG	ECO NUMBER	REV	SECTION A OF A			CHK'D:	F.GAROFALO	DATE:	16-OCT-80	TITLE PARTS LIST				
---	INITIAL	E	SECTION VARIATION INDEX			CHK'D:	F.GAROFALO	DATE:	16-OCT-80	BIAS AND INTERFACE BD				
			[A]	00										
			[B]											
			[C]			DES.ENG:	R.WOLF	DATE:	16-OCT-80					
			[D]											
			[E]							DOCUMENT NUMBER				
			[F]			RESP.ENG.:	R.WOLF	DATE:	16-OCT-80	SIZE	CODE	NUMBER	REV	
			[G]											
			[H]											
			[J]			MFG.ENG.:	J.COMELLA	DATE:	16-OCT-80	K	PL	5413605-0-DBP	E	
			[K]											
			[L]											
			[M]			ASSEMBLY NUMBER:	D-UA-5413605-0-0	TOP DOCUMENT NUMBER:	B-DD-5413605-0-0	FILE NAME:	Z0402.PLS	EDIT #:	11	
			[N]											

"THIS DRAWING AND SPECIFICATIONS HEREIN, ARE THE PROPERTY OF DIGITAL EQUIPMENT CORPORATION AND SHALL NOT BE REPRODUCED OR COPIED OR USED IN WHOLE OR IN PART AS THE BASIS FOR THE MANUFACTURE OR SALE OF ITEMS WITHOUT WRITTEN PERMISSION. COPYRIGHT (C) 1980. DIGITAL EQUIPMENT CORPORATION "

TW

LINE	ITEM	DOCUMENT NUMBER	PART NUMBER	DESCRIPTION	QTY	PER VARIATION	REFERENCE DESIGNATOR
					00		
29	29		1300365-00	1.0 K .25 W 5.0 % CC	10		R6,R13,R16,R17,R49,R64,R65,R69, R71,R93
30	30		1300439-00	3.30 K .25 W 5.0 % CC	14	CONT	R38-R40,R56-R58,R66,R73-R76,R79, R83,R85
31	31		1300444-00	3.90 K .25 W 5.0 % CC	1		R14
32	32		1300447-00	4.70 K .25 W 5.0 % CC	2		R52,R87
33	33		1300479-00	10.0 K .25 W 5.0 % CC	12	CONT	R25,R35-R37,R50,R77,R78,R82,R84, R86,R88,R89
34	34		1301322-00	180.0 .25 W 5.0 % CC	1		R30
35	35		1302091-00	330.0 K .25 W 5.0 % CC	1		R80
36	36		1302177-00	47.0 K .25 W 5.0 % CC	1		R32
37	37		1302334-00	15.0 K 2.0 W 5.0 % CC	1		R2
38	38		1302394-00	30.0 K .25 W 5.0 % CC	1		R81
39	39		1302466-00	100.0 K .25 W 5.0 % CC	2		R28,R48
40	40		1302479-00	200.0 K .50 W 5.0 % CC	1		R5
41	41		1302644-00	226.0 .25 W 1.0 % RN55D-F10	1		R42
42	42		1302645-00	1.10 K .25 W 1.0 % RN55D-F10	1		R62
43	43		1302748-00	1.0 K .25 W 1.0 % RN55C-F 5	2		R26,R45
44	44		1302751-00	30.0 .25 W 5.0 % CC	1		R43
45	45		1302836-00	56.0 2.0 W 5.0 % CC	1		R1
46	46		1302860-00	11.50 K .25 W 1.0 % RN55D-F10	1		R47
47	47		1302874-00	147.0 .25 W 1.0 % RN55D-F10	1		R92
48	48		1302955-00	750.0 .25 W 1.0 % RN55D-F10	1		R15
49	49		1303067-00	422.0 .25 W 1.0 % RN55D-F10	1		R60
50	50		1303177-00	2.40 K .25 W 5.0 % CC	1		R44
51	51		1303305-00	6.98 K .25 W 1.0 % RN55D-F10	1		R70
52	52		1303322-00	274.0 K .75 W 1.0 % RN65D-F10	2		R3,R4
53	53		1303438-00	121.0 K .25 W 1.0 % RN55D-F10	1		R90
54	54		1304870-00	6.81 K .25 W 1.0 % RN55D-F10	1		R91
55	55		1305108-00	1.47 K .25 W 1.0 % RN55D-F10	1		R61
56	56		1305125-00	383.0 .25 W 1.0 % RN55D-F10	1		R72
57	57		1305253-00	7.15 K .25 W 1.0 % RN55D-F10	1		R63
58	58		1305357-00	125.0 10.0 W 5.0 % WW	2		R18,R19
59	59		1309419-00	19.60 K .25 W 1.0 % RN55D-F10	1		R59
60	60		1305405-00	24.90 K .25 W 1.0 % RN55D-F10	1		R53
61	61		1313341-00	5.36 K .25 W 1.0 % RN55D-F10	1		R24
62	62		1313775-00	80.60 K .25 W 1.0 % RN55D-F10	1		R22
63	63		1313843-00	107.0 K .25 W 1.0 % RN55D-F10	1		R23
64	64		1314023-00	47.0 2.0 W 5.0 % CC	1		R8
65	65		1314041-00	3.01 K .25 W 1.0 % RN55D-F10	2		R27,R41
66	66		1314121-00	1.0 M .25 W 1.0 % RN55D-F10	2		R67,R68
67	67		1314387-00	3.90 M .25 W 5.0 % CC	1		R7
68	68		1509524-00	2N 3904 NPN 310MW SI 40 40 M	2		Q11,Q12
69	69		1510233-00	2N 5460 FET 310MW SIP CHNNL	1		Q13
70	70		1510705-00	XA 05 NPN 500MW SI 60 50 P	6		Q17-Q20,Q22,Q26
71	71		1510706-00	XA 55 PNP 500MW SI 60 50 P	2		Q21,Q25
72	72		1510707-00	D 44H8 NPN 25W SI 60@2A	2		Q2,Q4
73	73		1510708-00	D 45H8 PNP 50WT SI 60 60 Y	2		Q3,Q5

D	I	G	I	T	A	L	TITLE	SECTION A OF A	SIZE	CODE	DOCUMENT NUMBER	REV
							BIAS AND INTERFACE BD		K	PL	5413605-0-DBP	E

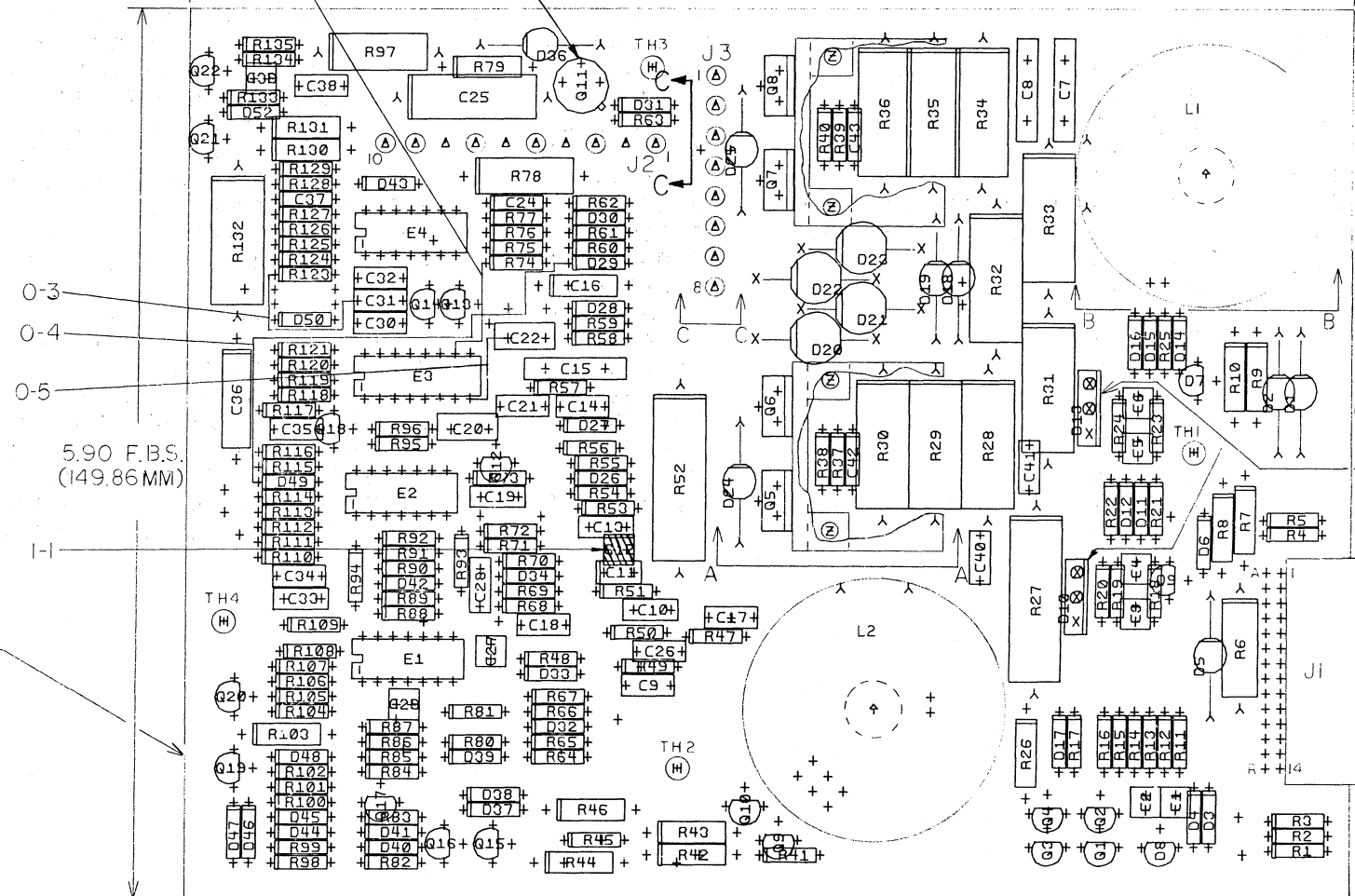
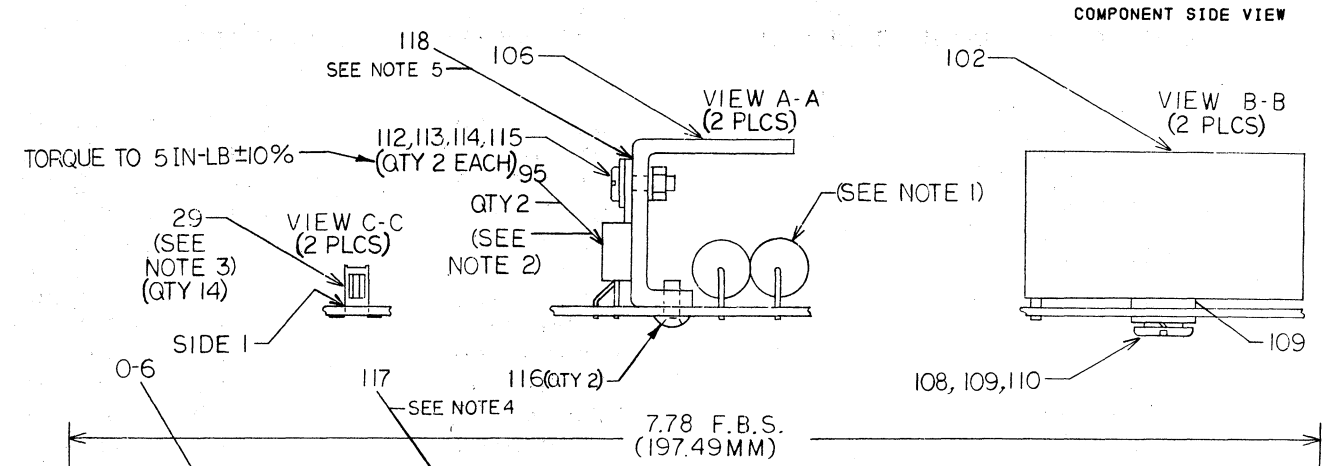
TW

LINE ITEM	DOCUMENT NUMBER	PART NUMBER	DESCRIPTION	QTY PER VARIATION 00	REFERENCE DESIGNATOR
74	74	1510959-00	2N 3725 NPN 3.5WC SI 50 60 F	2	Q8,Q9
75	75	1511686-00	DEC5433 FET N 350MW 10 25 1A	4	Q14-Q16,Q24
76	76	1513489-00	2N 4401 NPN 350MW SI 40 20	1	Q10
77	77	1513490-00	2N 4403 PNP 350MW SI-40 30	1	Q23
78	78	1514271-01	D 44Q5 NPN 31W SI225 30	1	Q6
79	79	1516119-00	NPN 600MW SI400 40	1	Q1
80	80	1516121-00	MPS A92 PNP 625MW SI300 25	1	Q7
81	81	1905547-00	7474 FF-D DUAL,EDGE TRIGG	1	E13
82	82	1909004-00	DEC 7402 NOR GATE-QUAD 2IN	2	E7,E10
83	83	1910538-00	74S15 AND GATE-TRIPLE 3IN	1	E11
84	84	1910741-00	7406 INVERTER GATE-HEX 1I	1	E8
85	85	1911036-00	75453 DRIVER,PERIPH,DUAL,	1	E4
86	86	1911637-00	74132 NAND GATE-QUAD 2 IN	1	E12
87	87	1911944-00	555CN TIMER,FUNCT.BLOCK	3	E2,E16,E17
88	88	1912108-00	339 VOLT CMPRTR,QUAD	1	E9
89	89	1912536-01	7805 VOLT REG,FIX +5V	1	E1
90	90	1912799-00	LS00 NAND-GATE-QUAD 2IN,P	1	E14
91	91	1912800-00	LS01 NAND-GATE-QUAD 2IN,P	1	E15
92	92	1914156-00	LM 393 VOLT.COMPARATOR DUAL	1	E3
93	93	1914194-00	OPTP-COUPLED ISOLATOR	2	E5,E6
94	94	C-MD-7422046-0-0	7422046-00 HEAT SINK,SINGLE	3	
95	95	B-MD-7422047-0-0	7422047-00 HEAT SINK,DOUBLE	2	
96	96	9006011-01	SCREW,PAN,PHIL 4-40X 3/8 SS	7	
97	97	9006556-00	NUT,HEX , 4-40X1/4 AF X 3/	7	
98	98	9006688-00	WASHER, LOCK, S.S. #4	7	
99	99	9006735-00	EYELET, FUNNEL FLANGE, .059 OD X	2	
100	100	9007201-00	TRANSIPADS #10253	2	
101	101	9008268-00	COMPOUND, THERMAL JOINT	A/R	
102	102	9009185-00	JUMPER, WIRE, INSULATED, BLACK B	1	W1
103	103	9009769-00	WASHER, RECTANGULAR .405X.225X.0	7	
104	104	9010128-00	SCREW,TAPPING,TYPE PAN,PHIL,	7	
105	105	1303312-00	10.0 K .25 W 1.0 % RN55D-F10	2	R51,R55
106	106	1303044-00	100.0 K .25 W 1.0 % RN55D-F10	1	R54

!	!	!	!	!	!	!	!	!	!	!	!	!	!	!	!	!	!	!	!	!
D	I	G	I	T	A	L		TITLE		BIAS AND INTERFACE BD		SECTION A	OF A		SIZE	CODE	DOCUMENT NUMBER	REV		
															K	PL	5413605-0-DBP	E		

TW

THIS DRAWING AND SPECIFICATIONS, HEREIN, ARE THE PROPERTY OF DIGITAL EQUIPMENT CORPORATION AND SHALL NOT BE REPRODUCED OR COPIED OR USED IN WHOLE OR IN PART AS THE BASIS FOR THE MANUFACTURE OR SALE OF ITEMS WITHOUT WRITTEN PERMISSION.
 COPYRIGHT © 1975 DIGITAL EQUIPMENT CORPORATION



METALIC SIDE OF DIODE

- NOTES:**
- D20-23, R27-36, R52, 78, 97, AND R132 TO BE RAISED .05 TO .10" OFF PCB. (SEE VIEW A-A)
 - Q5-8, MUST BE MOUNTED TO HEAT SINK, BEFORE BEING ATTACHED TO PCB. (SEE VIEW A-A)
 - ITEM 29 TO BE INSERTED IN J3 PINS 1-8 AND J2 PIN'S 1, 3, 5, 7, 9, 10. PINS 2, 4, 6, 8, ARE EMPTY. (SEE VIEW C-C)
 - USE TRANSPAD (ITEM 117) UNDER Q 11.

CHK	CHANGE NO	REV
AC	54136CI-0-0	1
WJL	1	2
R	WOLF	5

- NOTES:**
- USE THERMAL COMPOUND (ITEM 118) BETWEEN HEAT SINK AND Q5, 6, 7, 8.

ETCH REV.	C
P.C. DESIGN DATA BASE REV.	CL

SIGNATURES	DATE	digital	TITLE LOGIC INVERTER CONTROL BOARD
DRN. E.T.GERRY	3-5-75		
CHK'D. E.T.GERRY	3-22-75	SIZE CODE	NUMBER
ENG. [Signature]	7-20-75	D	UA 54136CI-0-0
PROJ. ENG. [Signature]	7-2-75	REV	C
PROD. [Signature]	7-15-75	NEXT HIGHER ASSY. B-DD-54136CI-0	

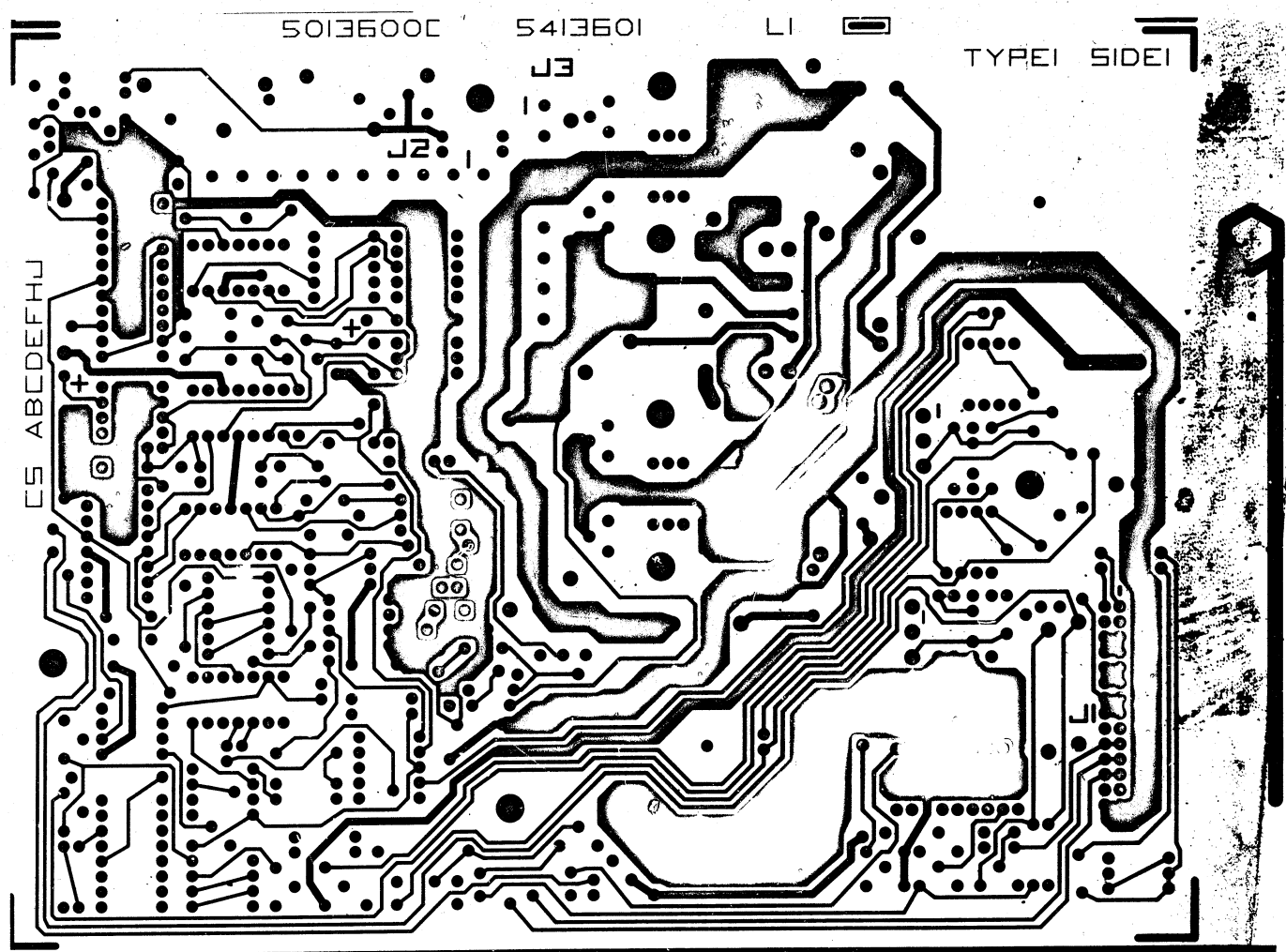
8 7 6 5 4 3 2 1

THIS DRAWING AND SPECIFICATIONS HEREIN ARE THE PROPERTY OF DIGITAL EQUIPMENT CORPORATION AND SHALL NOT BE REPRODUCED OR COPIED OR USED IN WHOLE OR IN PART AS THE BASIS FOR THE MANUFACTURE OR SALE OF ITEMS WITHOUT WRITTEN PERMISSION OF DIGITAL EQUIPMENT CORPORATION.

0-0-1099195
DUA 5413601-0-0
2

D
C
B
A

D
C
B
A



REVISIONS		
CHK	CHANGE NO.	REV.

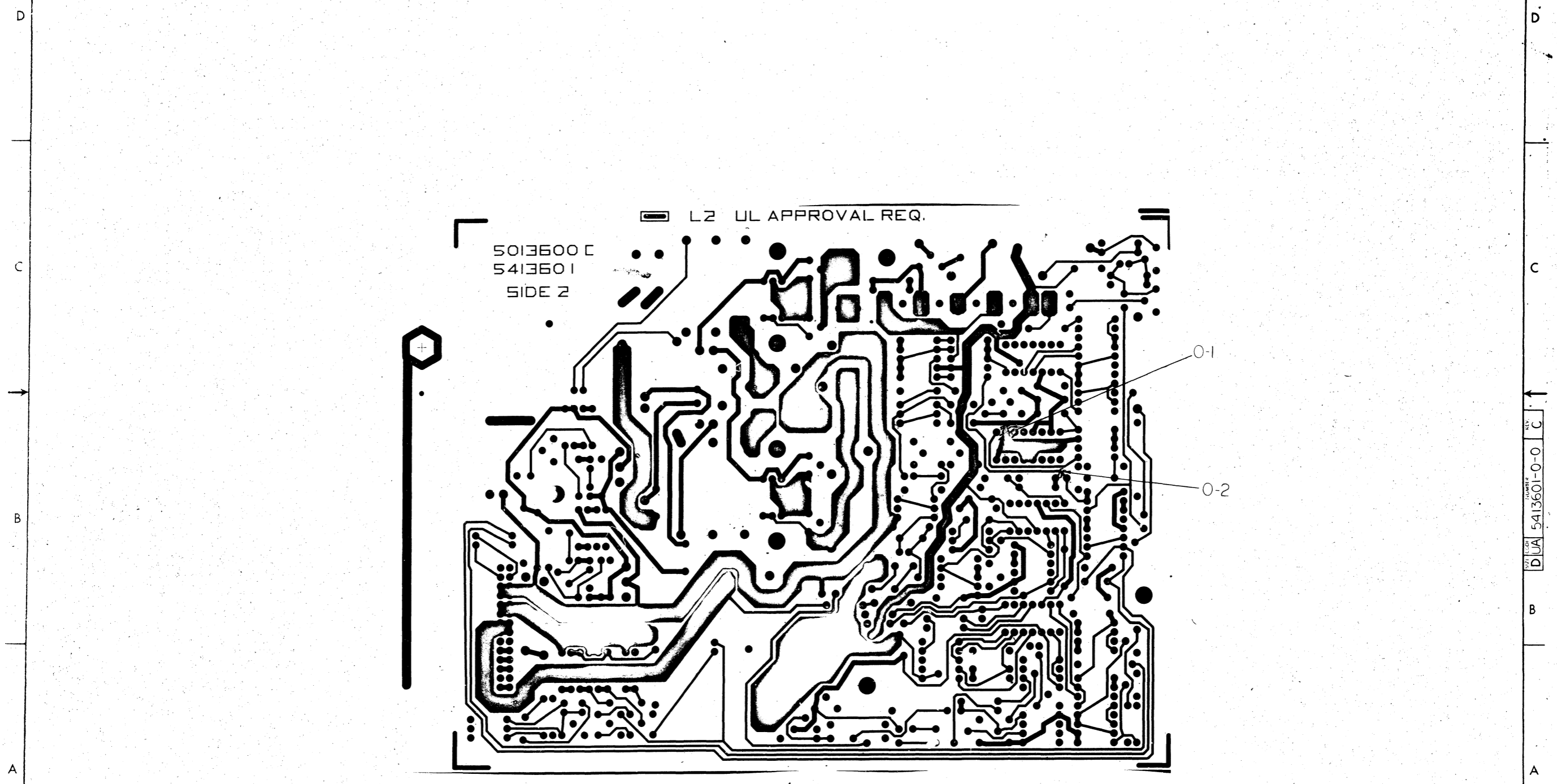
8 7 6 5 4 3 2 1

TITLE	LOGIC INVERTER CONTROL BOARD	SIZE CODE	DUA	NUMBER	5413601-0-0	REV.	C
SCALE	2/1	SHEET	2	OF	4	DIST.	

DUA 5413601-0-0
C

8 7 6 5 4 3 2 1

THIS DRAWING AND SPECIFICATIONS HEREIN ARE THE PROPERTY OF DIGITAL EQUIPMENT CORPORATION AND SHALL NOT BE REPRODUCED OR USED IN WHOLE OR IN PART AS THE BASIS FOR THE MANUFACTURE OR SALE OF ITEMS WITHOUT WRITTEN PERMISSION. COPYRIGHT © 1979 DIGITAL EQUIPMENT CORPORATION



5013600 C
5413601
SIDE 2

■ L2 UL APPROVAL REQ.

0-1

0-2

D
C
B
A

D JUA 5413601-0-0 C

REVISIONS		
CHK	CHANGE NO	REV

8 7 6 5 4 3 2 1

TITLE	LOGIC INVERTER CONTROL BOARD	SIZE CODE	D JUA	NUMBER	5413601-0-0	REV.	C
SCALE	2/1	SHEET	3	OF	4	DIST.	

THIS DRAWING AND SPECIFICATIONS, HEREIN, ARE THE PROPERTY OF DIGITAL EQUIPMENT CORPORATION AND SHALL NOT BE REPRODUCED OR COPIED OR USED IN WHOLE OR IN PART AS THE BASIS FOR THE MANUFACTURE OR SALE OF ITEMS WITHOUT WRITTEN PERMISSION.
 COPYRIGHT © 1979 DIGITAL EQUIPMENT CORPORATION

SIZE CODE DUA
 NUMBER 5413601-0-0
 REV C

REWORK INSTRUCTIONS:

ETCH CUTS SIDE 2

- 0-1 CUT ETCH ON BOTH SIDES OF E3-10 (2 CUTS)
- 0-2 FROM R74 TO Q18/BASE (CUT NEAR BASE).

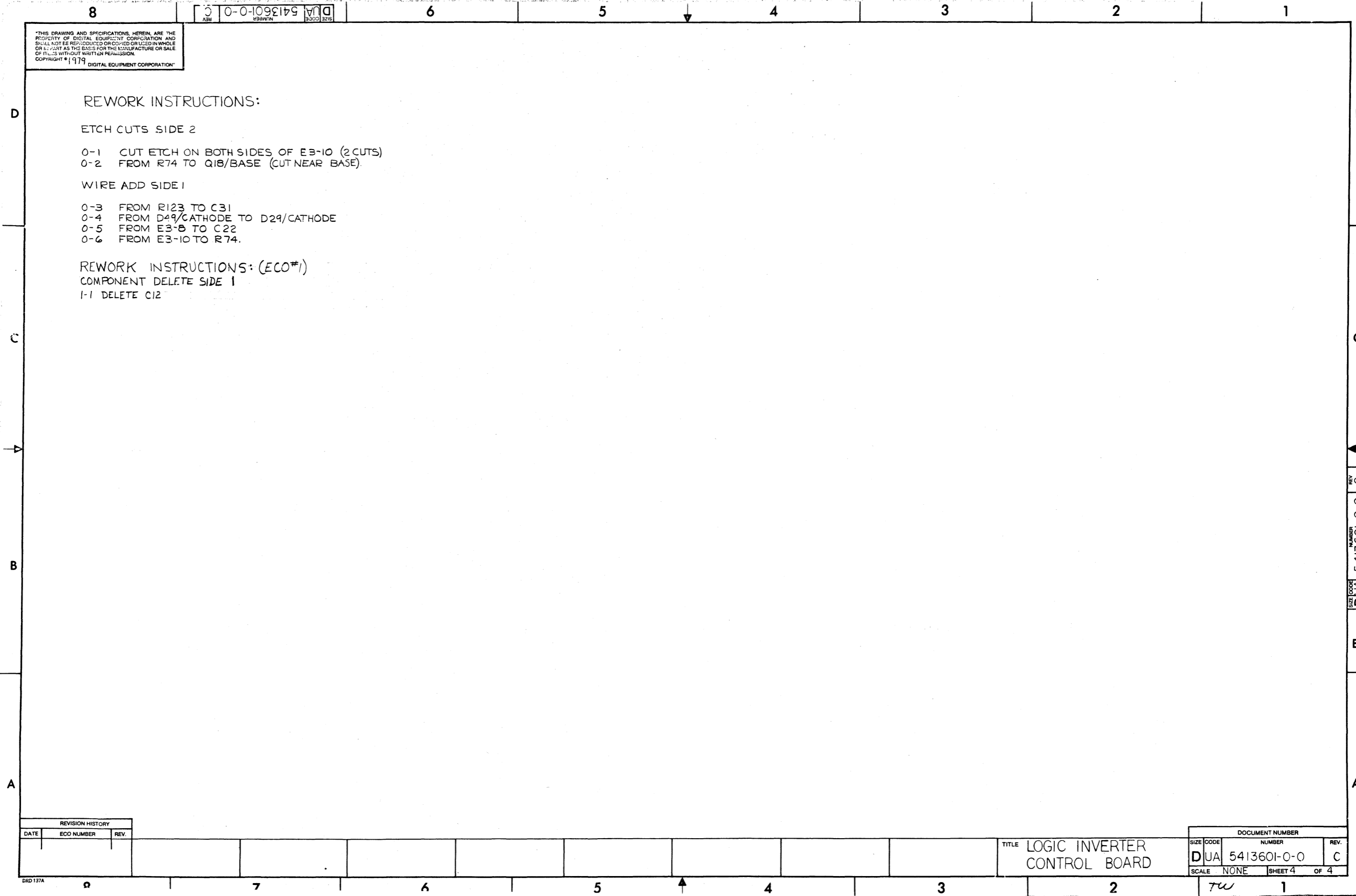
WIRE ADD SIDE 1

- 0-3 FROM R123 TO C31
- 0-4 FROM D49/CATHODE TO D29/CATHODE
- 0-5 FROM E3-B TO C22
- 0-6 FROM E3-10 TO R74.

REWORK INSTRUCTIONS: (ECO#)

COMPONENT DELETE SIDE 1

- I-1 DELETE C12



REVISION HISTORY		
DATE	ECO NUMBER	REV.

TITLE LOGIC INVERTER CONTROL BOARD

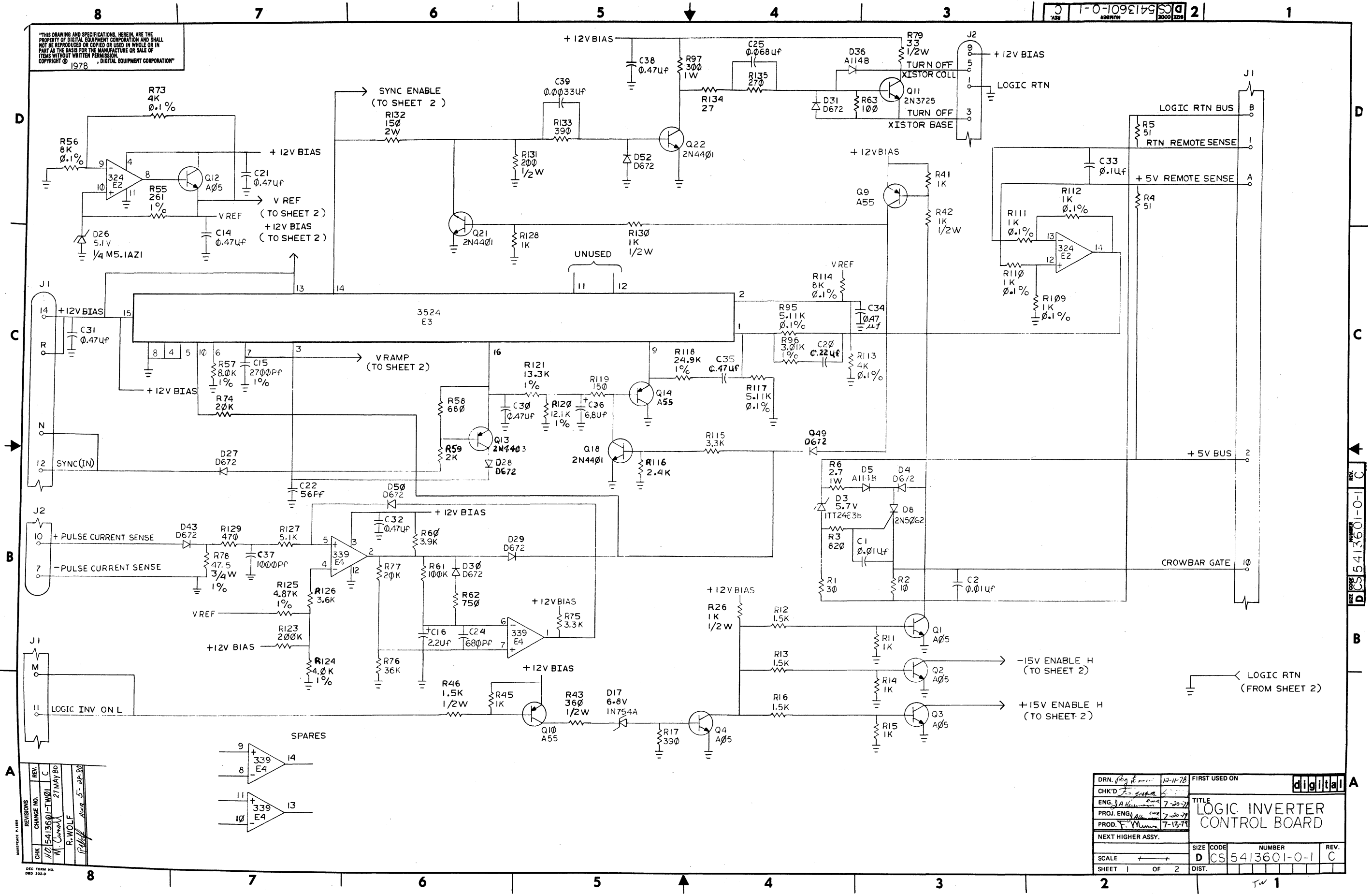
DOCUMENT NUMBER			
SIZE CODE	NUMBER	REV.	
DUA	5413601-0-0	C	
SCALE	NONE	SHEET 4	OF 4

SIZE CODE DUA
 NUMBER 5413601-0-0
 REV C

DRD 137A

TW

"THIS DRAWING AND SPECIFICATIONS, HEREIN, ARE THE PROPERTY OF DIGITAL EQUIPMENT CORPORATION AND SHALL NOT BE REPRODUCED OR COPIED OR USED IN WHOLE OR IN PART AS THE BASIS FOR THE MANUFACTURE OR SALE OF ITEMS WITHOUT WRITTEN PERMISSION. COPYRIGHT © 1978, DIGITAL EQUIPMENT CORPORATION"

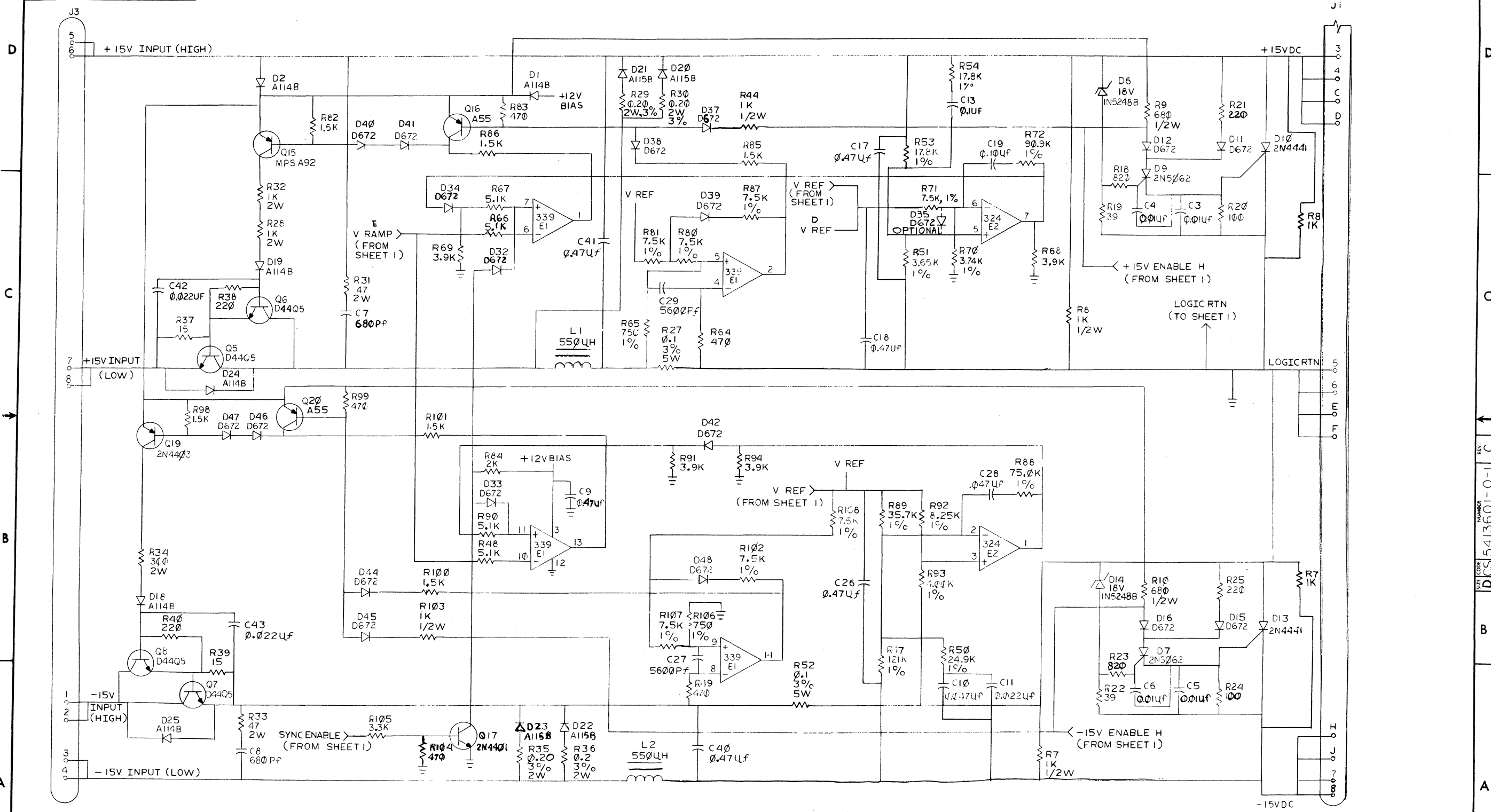


DRN. <i>log</i>	12-11-78	FIRST USED ON	digital
CHK'D <i>log</i>		TITLE	LOGIC INVERTER CONTROL BOARD
ENG. <i>A. Williams</i>	7-20-77	SIZE	D
PROJ. ENG. <i>Williams</i>	7-20-77	CODE	CS 5413601-0-1
PROD. <i>F. Williams</i>	7-13-79	NUMBER	C
NEXT HIGHER ASSY.		REV.	
SCALE		DIST.	
SHEET 1	OF 2		

REVISIONS	REV.	DATE
1	C	27 MAY 80
2	M	
3	R. WOLF	

DEC FORM NO. 100-2

"THIS DRAWING AND SPECIFICATIONS, HEREIN, ARE THE PROPERTY OF DIGITAL EQUIPMENT CORPORATION AND SHALL NOT BE REPRODUCED OR COPIED OR USED IN WHOLE OR IN PART AS THE BASIS FOR THE MANUFACTURE OR SALE OF ITEMS WITHOUT WRITTEN PERMISSION. COPYRIGHT © 1978 DIGITAL EQUIPMENT CORPORATION"



REVISIONS		
CHK	CHANGE NO.	REV.

TITLE	LOGIC INVERTER CONTROL BOARD	SIZE CODE	D	NUMBER	DCS 5413601-0-1	REV.	C
SCALE		SHEET	2	OF	2	DIST.	

LINE ITEM	DOCUMENT NUMBER	PART NUMBER	DESCRIPTION	QTY PER VARIATION	REFERENCE DESIGNATOR
1	D-MD-5013600-0-0	5013600-00	DRILL & ETCH BD	1	
2		1010978-24	.01 MFD 50V 10% 2C067 CER	6	C1-C6
3		1013280-00	680.0 MMF1000V 5%200PPM	2	C7,C8
4		1010279-01	.47 MFD 25V 20% 2C023 CER.	14	C9,C14,C18,C21,C30-C32,C34,C35, CONT C38,C17,C26,C40,C41
5		1010978-32	.047 MFD 50V 10% 2C067CER.	2	C10,C28
6		1011683-00	.022 MFD 50V 10% 2C067 CER.	1	C11
7		1014170-00	2700.0 MMF 100V 1% 70PPM	1	C15
8		1002627-00	2.2MFD 20V 10% 150D S.TA	1	C16
9	BLANK		*** THIS ITEM IS NOT USED ***	-	
10		1010978-36	.1 MFD 50V 10% 2C067 CER	3	C19,C33,C13
11		1010274-00	.22 MFD 50V -20+80 Z5U CER	1	C20
12		1000012-00	56.0 MMF 100V 5%200PPM DM15S	1	C22
13		1013466-08	680.0 MMF 50V 10% X7R CER	1	C24
14		1000052-00	.063 MFD 100V 10% 663UW MYLR	1	C25
15		1012783-00	.022 MFD 50V +80-20% CER	2	C43,C42
16		1011740-00	5600.0 MMF 50V 10% CW15C CER.	2	C27,C29
17		1005306-00	6.8MFD 35V 10% S.TANT	1	C36
18		1013466-09	1000.0 MMF 50V 10% X7RCER	1	C37
19		1011740-01	3300.0 MMF 50V 10% CW15C CER.	1	C39
20		1112595-01	A114B PIV=200 I= 1A	8	D1,D2,D5,D18,D19,D24,D25,D36
21		1111205-00	SCREENED VZ= 5.7 2% .40W	1	D3
22		1105275-00	D 672 TR= 15NS PIV= 60V SI	28	D4,D11,D12,D15,D16,D27-D34, CONT D37-D50,D52
23		1110766-00	1N 5248B VZ= 18.0 5% .50W	2	D6,D14
24		1110968-00	2N 5062 SCR@100V I=.8A T092	3	D7-D9
25		1109991-00	1N 754A VZ= 6.8 5% .40W	1	D17
26		1112594-01	A115B PIV=200 I= 3A	4	D20-D23
27		1105871-00	1/4M5.1AZ1 = 5.1 1% .25W N	1	D26
28		1105873-00	*** THIS ITEM IS NOT USED ***	-	

REVISION HISTORY		BASIC PART NO: 5413601		IDRN:	J.LENT	DATE:	3-JAN-79	D I G I T A L			
ENG	ECO NUMBER	REV	SECTION A OF A	CHK'D:	F.GERRY	DATE:	19-JUL-79	TITLE PARTS LIST			
---	INITIAL	B	SECTION.VARIATION INDEX					LOGIC INVERTER CONTROL BD			
---	INITIAL	B	[A] 00								
TRW	5413601-TW001	C	[B]	DES.ENG:	J.A.HERRMANN	DATE:	19-JUL-79				
			[C]								
			[D]								
			[E]	RESP.ENG.:	J.A.HERRMANN	DATE:	19-JUL-79	DOCUMENT NUMBER			
			[F]					SIZE	CODE	NUMBER	REV
			[G]								
			[H]	MFG.ENG.:	F.MUNIZ	DATE:	19-JUL-79	K	PL	5413601-0-DBP	C
			[I]								
			[J]	ASSEMBLY NUMBER:		TOP DOCUMENT NUMBER:		FILE NAME:		EDIT #:	
			[K]	D-UA-5413601-0-0				Z0400C.PLS		20	

"THIS DRAWING AND SPECIFICATIONS HEREIN, ARE THE PROPERTY OF DIGITAL EQUIPMENT CORPORATION AND SHALL NOT BE REPRODUCED OR COPIED OR USED IN WHOLE OR IN PART AS THE BASIS FOR THE MANUFACTURE OR SALE OF ITEMS WITHOUT WRITTEN PERMISSION.

COPYRIGHT (C) 1980. DIGITAL EQUIPMENT CORPORATION "

LINE ITEM	DOCUMENT NUMBER	PART NUMBER	DESCRIPTION	QTY PER VARIATION	REFERENCE DESIGNATOR
				00	
29	29	1211728-00	SOCKET 1POS STRIP FORM	14	J2,J3
30	30	1216112-01	HEADER.100 28POS RT ANGLE	1	J1
31	31	1302751-00	30.0 .25 W 5.0 % CC	1	R1
32	32	1301317-00	10.0 .25 W 5.0 % CC	1	R2
33	33	1301775-00	820.0 .25 W 5.0 % CC	3	R3,R18,R23
34	34	1312923-00	51.0 .25 W 5.0 % CC	2	R4,R5
35	35	1310382-00	2.70 1.0 W 5.0 % CC	1	R6
36	36	1300364-00	1.0 K .50 W 5.0 % CC	7	R7,R8,R26,R42,R44,R103,R130
37	37	1300347-00	680.0 .50 W 5.0 % CC	2	R9,R10
38	38	1300365-00	1.0 K .25 W 5.0 % CC	6	R11,R14,R15,R41,R45,R128
39	39	1300391-00	1.50 K .25 W 5.0 % CC	9	R12,R13,R16,R82,R85,R86,R98, R100,R101
					CONT
40	40	1300309-00	390.0 .25 W 5.0 % CC	2	R17,R133
41	41	1302377-00	39.0 .25 W 5.0 % CC	2	R19,R22
42	42	1300229-00	100.0 .25 W 5.0 % CC	3	R20,R24,R63
43	43	1300271-00	220.0 .25 W 5.0 % CC	4	R21,R25,R38,R40
44	44	1305872-00	.10 5.0 W 3.0 % WW	2	R27,R52
45	45	1301952-00	1.0 K 2.0 W 5.0 % CC	2	R28,R32
46	46	1311604-00	.20 3.0 W 3.0 % WW	4	R29,R30,R35,R36
47	47	1314023-00	47.0 2.0 W 5.0 % CC	2	R31,R33
48	48	1309855-00	300.0 2.0 W 5.0 % CC	1	R34
49	49	1301421-00	15.0 .25 W 5.0 % CC	2	R37,R39
50	50	1302955-00	750.0 .25 W 1.0 % RN55D-F10	2	R106,R65
51	51	1302383-00	360.0 .50 W 5.0 % CC	1	R43
52	52	1300394-00	1.50 K .50 W 5.0 % CC	1	R46
53	53	1303438-00	121.0 K .25 W 1.0 % RN55D-F10	1	R47
54	54	1300316-00	470.0 .25 W 5.0 % CC	6	R49,R64,R83,R99,R104,R129
55	55	1305405-00	24.90 K .25 W 1.0 % RN55D-F10	2	R50,R118
56	56	1304835-00	/REPLACED BY 13-05337-00	1	R51
57	57	1312989-00	17.80 K .25 W 1.0 % RN55D-F10	2	R53,R54
58	58	1313151-00	3.60 K .25 W 5.0 % CC	1	R126
59	59	1302873-00	261.0 .25 W 1.0 % RN55D-F10	1	R55
60	60	1305356-00	8.0 K .25 W .10% RN55C-B 5	2	R56,R114
61	61	1305129-00	8.0 K .25 W 1.0 % RN55D-F10	1	R57
62	62	1312930-00	5.10 K .25 W 5.0 % CC	5	R48,R66,R67,R90,R127
63	63	1300444-00	3.90 K .25 W 5.0 % CC	5	R60,R68,R69,R91,R94
64	64	1302466-00	100.0 K .25 W 5.0 % CC	1	R61
65	65	1301401-00	750.0 .25 W 5.0 % CC	1	R62
66	66	1304693-00	*** THIS ITEM IS NOT USED ***		
67	67	1302391-00	20.0 K .25 W 5.0 % CC	2	R77,R74
68	68	1312452-00	3.74 K .25 W 1.0 % RN55D-F10	1	R70
69	69	1313344-00	75.0 K .25 W 1.0 % RN55D-F10	1	R88
70	70	1311320-00	90.90 K .25 W 1.0 % RN55D-F10	1	R72
71	71	1304728-00	4.0 K .25 W .10% RN55E-B 2	2	R73,R113
72	72	1300439-00	3.30 K .25 W 5.0 % CC	3	R75,R105,R115
73	73	1312932-00	36.0 K .25 W 5.0 % CC	1	R76
74	74	1301459-00	47.50 .75 W 1.0 % RN65D-F10	1	R78
75	75	1300195-00	33.0 .50 W 5.0 % CC	1	R79

! TITLE	! SECTION A OF A	! SIZE	! CODE	! DOCUMENT NUMBER	! REV
! D ! I ! G ! I ! T ! A ! L ! LOGIC INVERTER CONTROL BD	! SECTION A OF A	! K	! PL	! 5413601-0-DBP	! C

LINE ITEM	DOCUMENT NUMBER	PART NUMBER	DESCRIPTION	QTY PER VARIATION	REFERENCE DESIGNATOR
76	76	1305322-00	7.50 K .25 W 1.0 % RN55D-F10	7	R80,R81,R107,R108,R87,R102,R71
77	77	1302388-00	2.0 K .25 W 5.0 % CC	2	R59,R84
78	78	1305421-00	35.70 K .25 W 1.0 % RN55D-F10	1	R89
79	79	1305325-00	8.25 K .25 W 1.0 % RN55D-F10	1	R92
80	80	1305127-00	4.0 K .25 W 1.0 % RN55D-F10	2	R93,R124
81	81	1305432-00	5.11 K .25 W .10% RN55E-B 2	2	R95,R117
82	82	1314041-00	3.01 K .25 W 1.0 % RN55D-F10	1	R94
83	83	1300292-00	300.0 1.0 W 5.0 % CC	1	R97
84	84	1304865-00	1.0 K .25 W .10% RN55E-B 2	4	R109-R112
85	85	1300250-00	150.0 .25 W 5.0 % CC	1	R119
86	86	1303313-00	12.10 K .25 W 1.0 % RN55D-F10	1	R120
87	87	1312565-00	13.30 K .25 W 1.0 % RN55D-F10	1	R121
88	88	1300202-00	*** THIS ITEM IS NOT USED ***	-	
89	89	4810004-48	*** THIS ITEM IS NOT USED ***	-	
90	90	1302381-00	200.0 .50 W 5.0 % CC	1	R131
91	91	1300257-00	150.0 2.0 W 5.0 % CC	1	R132
92	92	1301522-00	27.0 .25 W 5.0 % CC	1	R134
93	93	1301972-00	270.0 .25 W 5.0 % CC	1	R135
94	94	1510705-00	XA 05 NPN 500MW SI 60 50 P	5	Q1-Q4,Q12
95	95	1514271-01	D 4405 NPN 31W SI225 30	4	Q5-Q8
96	96	1510706-00	XA 55 PNP 500MW SI 60 50 P	5	Q9,Q10,Q14,Q16,Q20
97	97	1510959-00	2N 3725 NPN 3.5WC SI 50 60 P	1	Q11
98	98	1513490-00	2N 4403 PNP 350MW SI-40 30	2	Q13,Q19
99	99	1516121-00	MPS A92 PNP 625MW SI300 25	1	Q15
100	100	1513489-00	2N 4401 NPN 350MW SI 40 20	4	Q17,Q18,Q21,Q22
101	101	1505867-00	2N 4441 SCR@ 50V & 8A	2	D10,D13
102	102	1616213-00	550.0 UH VARIABLE	2	L1,L2
103	103	1912108-00	339 VOLT CMPRTR,QUAD	2	E1,E4
104	104	1912107-00	324 OP AMP,QUAD	1	E2
105	105	1914250-00	3524 MODULATOR-REGULATING	1	E3
106	106	7422047-01	HEAT SINK DOUBLE	2	
107	107	1301424-00	680.0 .25 W 5.0 % CC	1	R58
108	108	9006039-01	SCREW,PAN,PHIL 8-32X 1/2 SS	2	
109	109	9006660-00	WASHER, FLAT, .375 O.D. X .187 I	4	
110	110	9006690-00	WASHER, LOCK, S.S. #8	2	
111	111	1303177-00	2.40 K .25 W 5.0 % CC	1	R116
112	112	9006011-01	SCREW,PAN,PHIL 4-40X 3/8 SS	4	
113	113	9009769-00	WASHER, RECTANGULAR .405X.225X.0	4	
114	114	9006556-00	NUT,HEX , 4-40X1/4 AF X 3/	4	
115	115	9006688-00	WASHER, LOCK, S.S. #4	4	
116	116	9010128-00	SCREW,TAPPING,TYPE PAN,PHIL,	4	
117	117	9007201-00	TRANSIPADS #10253	1	C23
118	118	9008268-00	COMPOUND, THERMAL JOINT	A/R	
119	119	1314516-00	200.0 K .25 W 5.0 % CC	1	R123
120	120	1313592-00	4.87 K .25 W 1.0 % RN55D-F10	1	R125
121	121	9105740-55	WIRE(WRAP)30AWG UL1423	A/R	
122	122	1000009-00	*** THIS ITEM IS NOT USED ***	-	
123	123	4810004-34	*** THIS ITEM IS NOT USED ***	-	

! D ! I ! G ! I ! T ! A ! L !	! TITLE	! SECTION A OF A	! SIZE ! CODE !	! DOCUMENT NUMBER	! REV
	LOGIC INVERTER CONTROL BD		K ! PL !	5413601-0-DBP	C

TW

AUTOMATED BY PRTLST.3G(17)

PARTS LIST

SHEET A4 OF A4

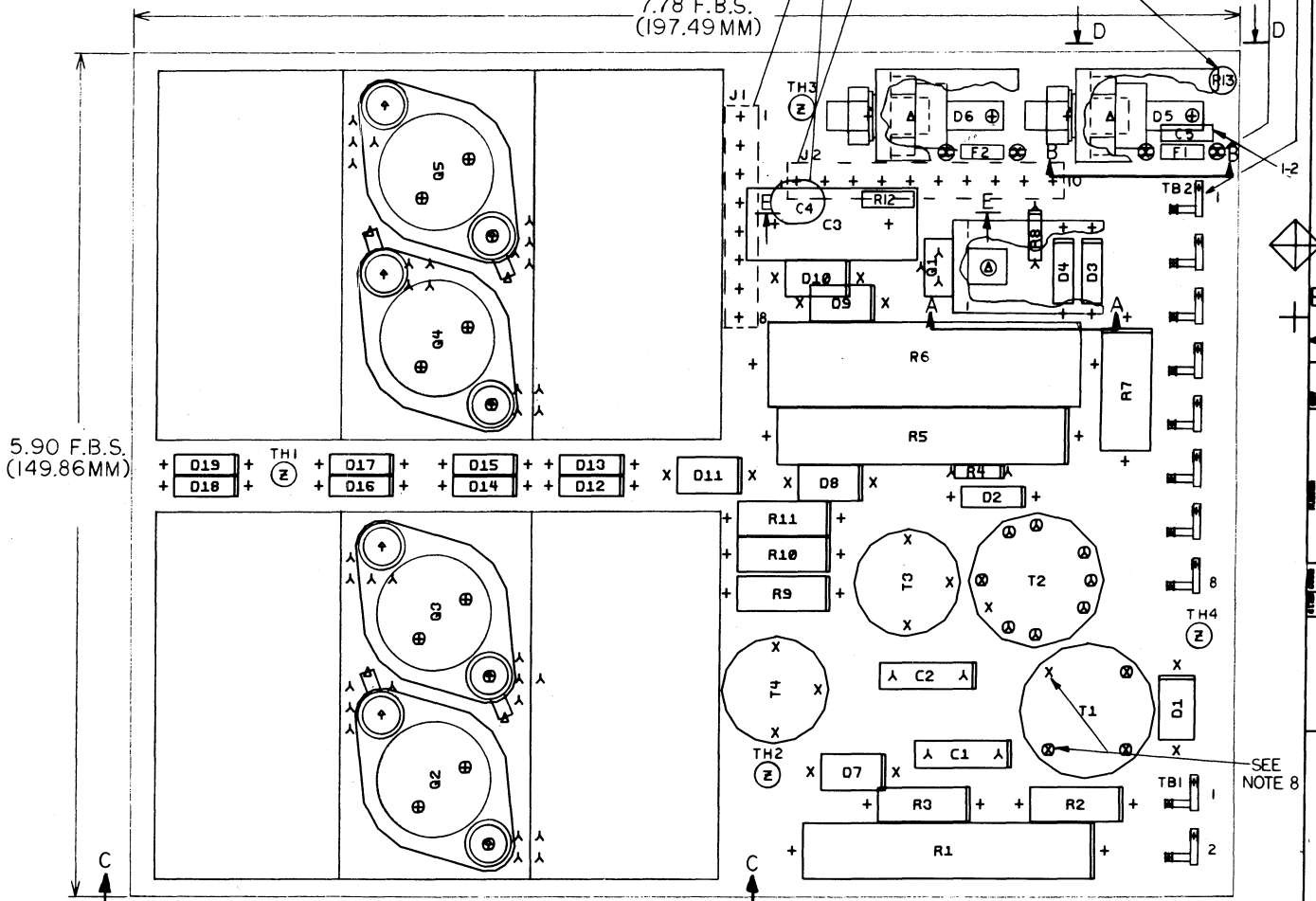
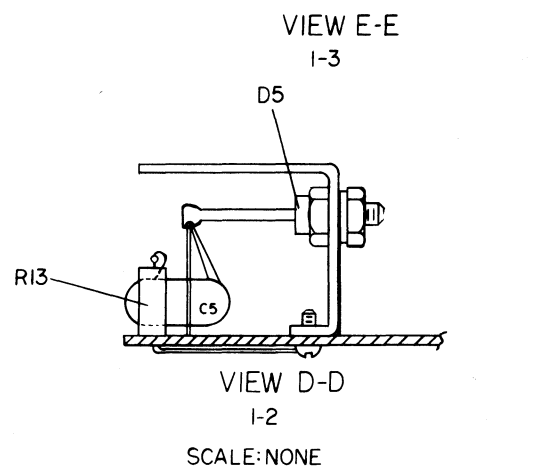
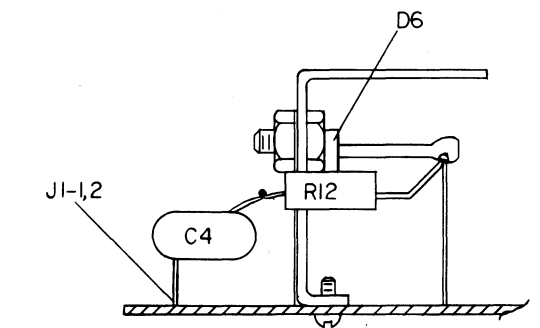
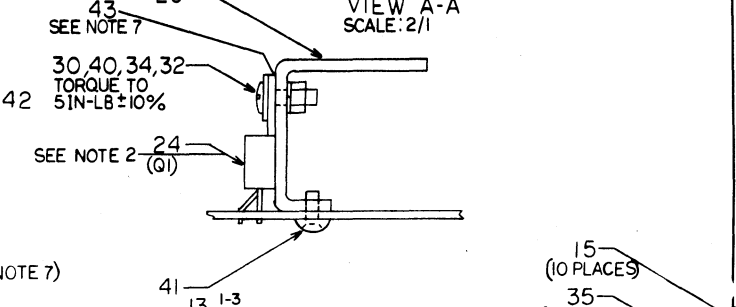
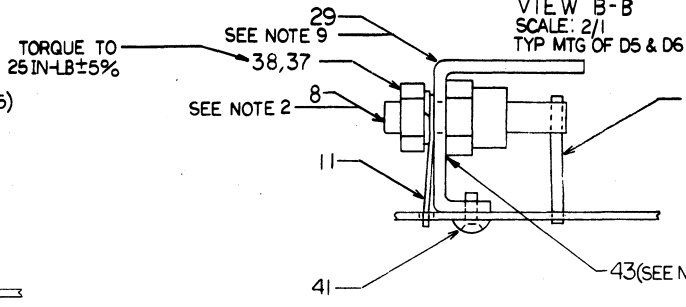
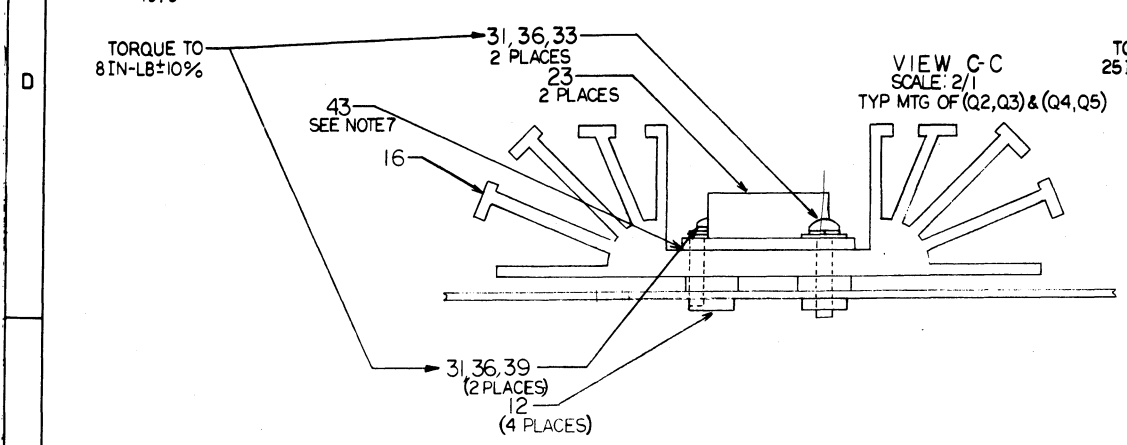
LINE ITEM	DOCUMENT NUMBER	PART NUMBER	DESCRIPTION	QTY PER VARIATION	REFERENCE DESIGNATOR
-----------	-----------------	-------------	-------------	-------------------	----------------------

00

124 NOTE: ITEM #121# .52' IS USED.

! D ! I ! G ! I ! T ! A ! L !	! TITLE	! SECTION A OF A	! SIZE ! CODE !	! DOCUMENT NUMBER	! REV !
	LOGIC INVERTER CONTROL BD		! K ! FL !	5413601-0-DBP	! C !

1979



- NOTES:
- FOR STEP AND REPEAT DIM'S SEE 2 ML 39
 - Q1, D5 & D6 MUST BE MOUNTED TO HEATSINKS BEFORE BEING ATTACHED TO P.C.B.
 - FOR ASSM. OF ITEM 23 SEE VIEW C
 - J1 AND J2 TO BE MOUNTED ON SIDE 2
 - RAISE R1,5, AND R6, 125 TO 150° OFF P.C.B.
 - RAISE D1, 7, 8-11 AND R3, 7, 9-11, .05 TO .100"

CHANGE NO	REV	DATE	BY	CHK'D
5413599-FWI	C		RICHARD	

- NOTES:
- USE THERMAL COMPOUND ITEM 43 BETWEEN Q2, Q3, Q4, Q5 - Q1, D5, D6, AND HEAT SINK.
 - LARGER DIAMETER LEADS IN THESE TWO POSITIONS.
 - TOP FIN OF ITEM 29 (HEATSINK) MUST BE INSTALLED PARALLEL TO EDGE OF BOARD

ETCH REV.	C
P.C. DESIGN DATA BASE REV.	CL

SIGNATURES	DATE	TITLE
DRN. <i>John Lent</i>	2-9-79	digital
CHK'D. <i>Frank Ruffolo</i>	2-27-79	
ENC. <i>W. Thompson</i>	6-24-79	
PROJ. ENG. <i>W. Thompson</i>	6-26-79	
PROD. <i>F. Munn</i>	7-15-79	
SCALE 2/1		
SHT. 1 OF 4		
NEXT HIGHER ASSY. B-DD-54-13599-B		

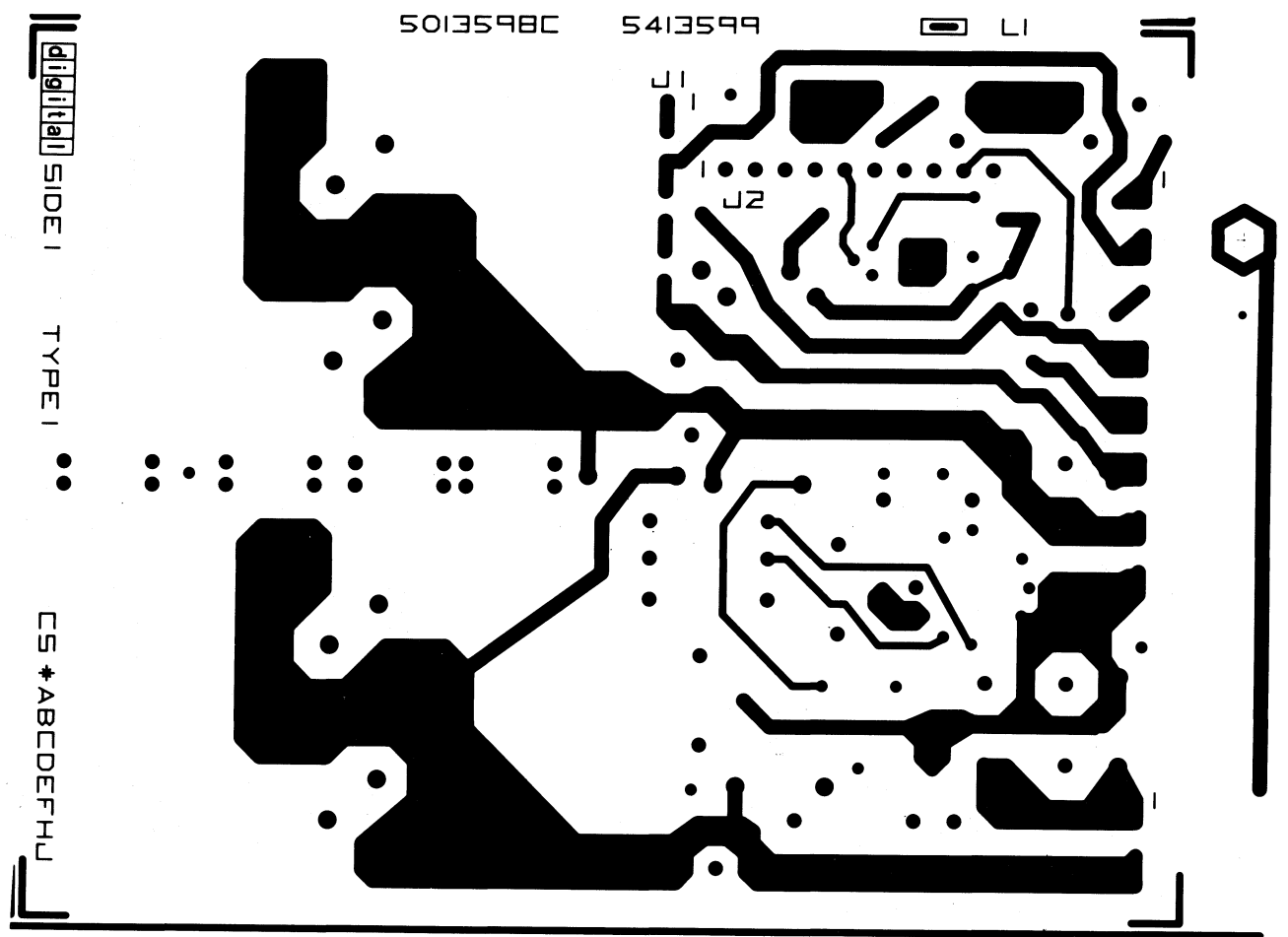
8 7 6 5 4 3 2 1

"THIS DRAWING AND SPECIFICATIONS HEREIN ARE THE PROPERTY OF DIGITAL EQUIPMENT CORPORATION AND SHALL NOT BE REPRODUCED OR COPIED OR USED IN WHOLE OR IN PART AS THE BASIS FOR THE MANUFACTURE OR SALE OF ITEMS WITHOUT WRITTEN PERMISSION. COPYRIGHT © 1975 DIGITAL EQUIPMENT CORPORATION"

DIA 5413599-0-0 2

D
C
B
A

D
C
B
A



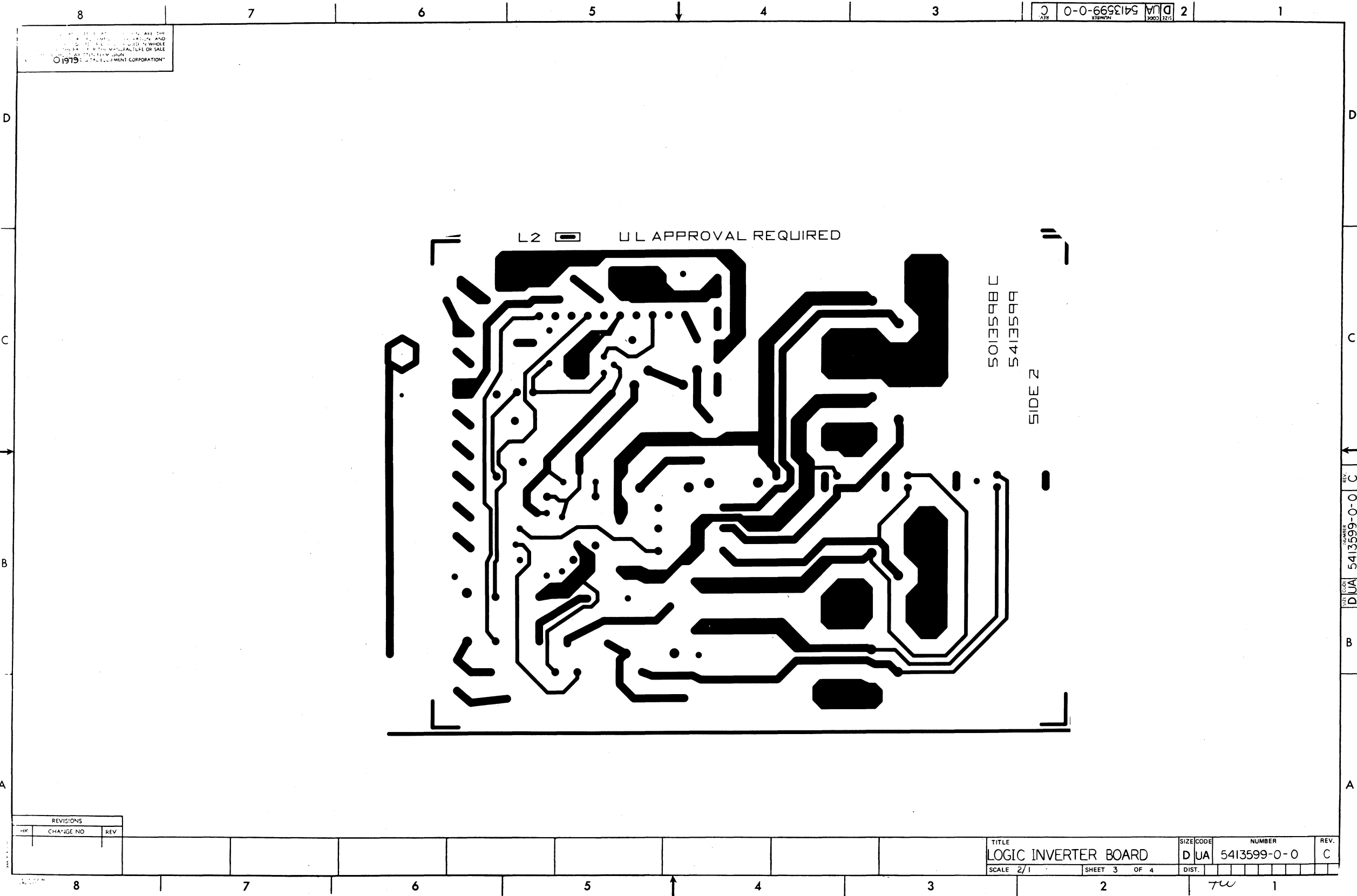
REVISIONS		
CHK	CHANGE NO.	REV.

DEC FORM NO 250 127

8 7 6 5 4 3 2 1

TITLE	SIZE CODE	NUMBER	REV.
LOGIC INVERTER BOARD	D UA	5413599-0-0	C
SCALE 1/1	SHEET 2 OF 4	DIST.	

TW



ALL THE RIGHTS ARE RESERVED BY THE MANUFACTURER AND NO PART OF THIS PUBLICATION OR SALE IS TO BE REPRODUCED OR TRANSMITTED IN ANY FORM OR BY ANY MEANS WITHOUT THE WRITTEN PERMISSION OF THE MANUFACTURER CORPORATION
 © 1976

L2  UL APPROVAL REQUIRED

5013599 C
 5413599

SIDE 2

REVISIONS		
REV.	CHANGE NO.	REV.

TITLE	SIZE CODE	NUMBER	REV.
LOGIC INVERTER BOARD	D UA	5413599-0-0	C
SCALE 2/1	SHEET 3 OF 4	DIST.	

tu

8 6 5 4 3 2 1

THIS DRAWING AND SPECIFICATIONS HEREIN ARE THE PROPERTY OF DIGITAL EQUIPMENT CORPORATION AND SHALL NOT BE REPRODUCED OR COPIED OR USED IN WHOLE OR IN PART AS THE BASIS FOR THE MANUFACTURE OR SALE OF ITEMS WITHOUT WRITTEN PERMISSION.
 COPYRIGHT © 1970
 DIGITAL EQUIPMENT CORPORATION

0-0-66991-79
 54-13599-0-0

REWORK INSTRUCTION (ECO 1)
 COMPONENT ADDS: SIDE 1
 1-1 INSTALL R13 BY DRILLING ONE .055" HOLE AS SHOWN. (HOLE IS UNDERNEATH R13)
 1-2 C5 AND R13 ARE CONNECTED BY TWISTING ONE LEAD OF R13 WITH ONE LEAD OF C5 AND SOLDERING. THE OTHER LEAD OF R13 IS TACK SOLDERED TO THE ETCH ON SIDE 2 LEADING TO THE CATHODE OF D5. THE OTHER LEAD OF C5 IS CONNECTED TO THE ANODE OF D5. (SEE VIEW D-D)
 1-3 R12 AND C4 ARE CONNECTED BY TWISTING ONE LEAD OF R12 WITH ONE LEAD OF C4 AND SOLDERING. THE OTHER LEAD OF R12 IS CONNECTED TO THE ANODE OF D6. THE OTHER LEAD OF C4 IS TACK SOLDERED TO J1-1 AND 2. (SEE VIEW E-E)

D
C
B
A

D
C
B
A

REVISION HISTORY		
DATE	ECO NUMBER	REV.

TITLE
 LOGIC INVERTER BOARD

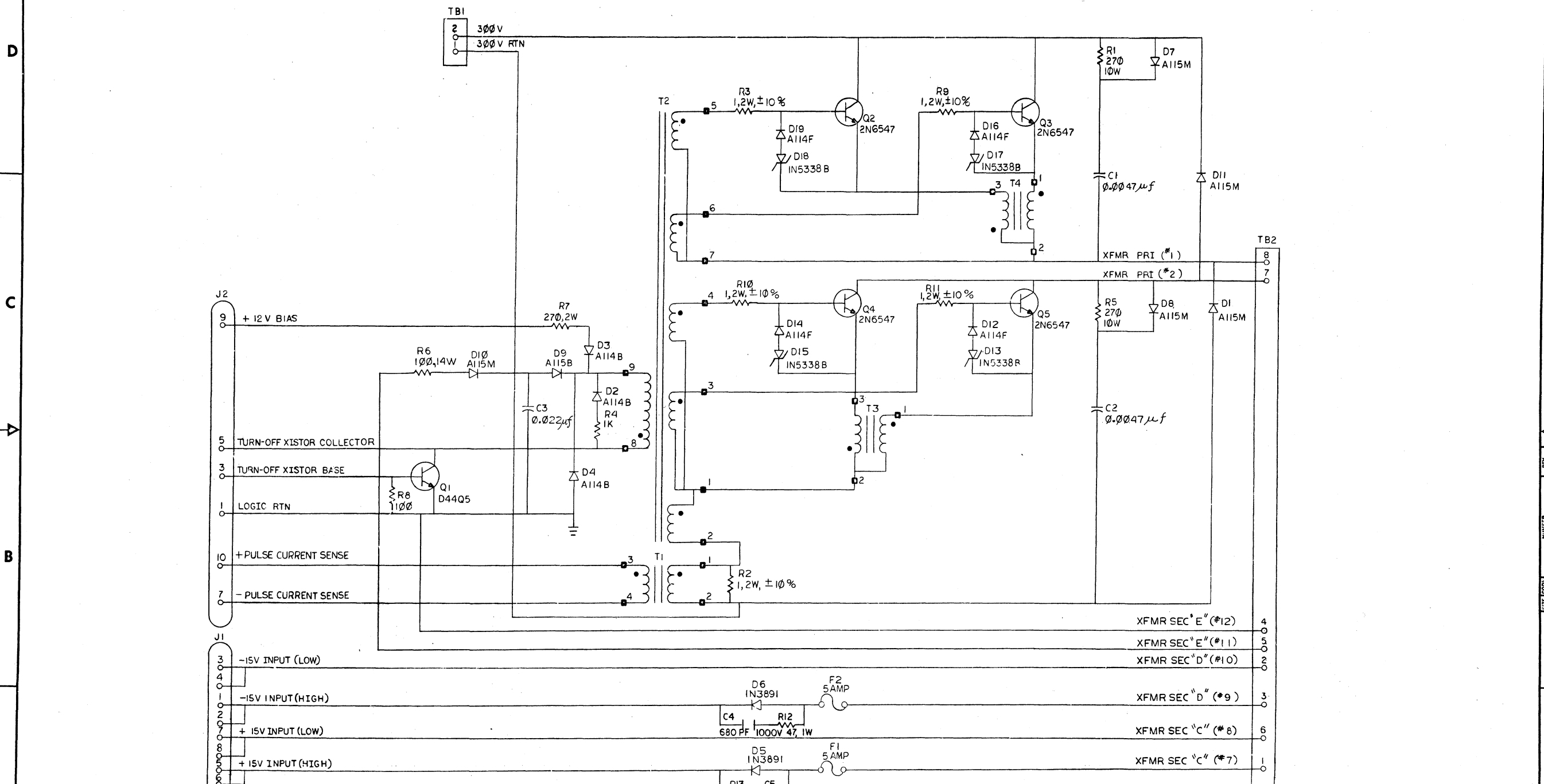
DOCUMENT NUMBER		
SIZE CODE	NUMBER	REV.
D	54-13599-0-0	C

7 6 5 4 3 2 1
 R TW 1

54-13599-0-0
 C

"THIS DRAWING AND SPECIFICATIONS HEREIN ARE THE PROPERTY OF DIGITAL EQUIPMENT CORPORATION AND SHALL NOT BE REPRODUCED, COPIED OR USED IN WHOLE OR IN PART AS THE BASIS FOR THE MANUFACTURE OR SALE OF ITEMS WITHOUT WRITTEN PERMISSION OF DIGITAL EQUIPMENT CORPORATION" 1978

CS 5413599-0-1 2



REV	1	15413599-0-1	1/11/75
CHANGE NO.			
DESIGNED BY			
CHECKED BY			
APPROVED BY			

15413599-0-1

DRN	10-3178	FIRST USED ON	
CHK'D			
ENGR			
PROJ. ENGR			
PROD. ENGR			
NEXT HIGHER ASSY.			
TITLE		LOGIC INVERTER BOARD	
SCALE	D	CODE	CS 5413599-0-1
SHEET	1	OF	1
REV.		C	

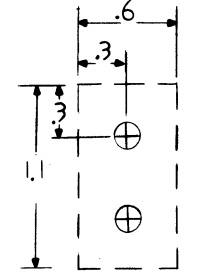
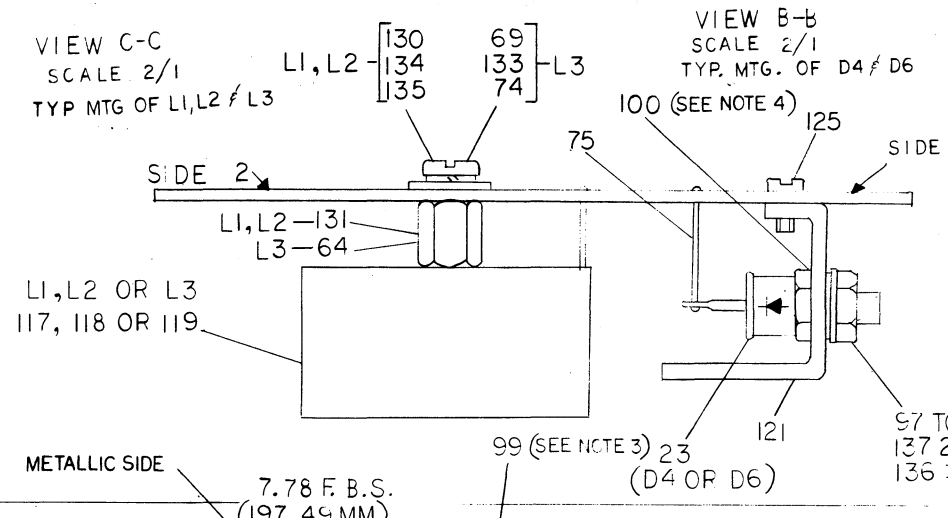
LINE ITEM	DOCUMENT NUMBER	PART NUMBER	DESCRIPTION	QTY PER VARIATION 00	REFERENCE DESIGNATOR
1	D-MD-5013598-0-0	5013598-00	DRILL & ETCH BD	1	
2		1011847-03	.0047 MFD 600V 10% POLYPROP	2	C1,C2
3		1014430-00	.022 MFD 270V 10% M.POLYPROP	1	C3
4		1112594-01	A115B PIV=200 I= 3A	1	D9
5		1112594-02	A115M PIV=600 I= 3A	5	D1,D7,D8,D11,D10
6		1112595-00	A114F PIV= 50 I= 1A	4	D12,D14,D16,D19
7		1112595-01	A114B PIV=200 I= 1A	3	D2-D4
8		1110491-20	IN 3891 PIV=200 T=12A D04 SI	2	D5,D6
9		1114435-00	1N 5338B VZ= 5.1 5% 5W	4	D13,D15,D17,D18
10		1205747-00	FUSE, SUB-MINI, 5.000A, 125V, A	2	F1,F2
11		1216937-00	TERMINAL,SOLDER	2	
12		1214789-00	INSERT,THREADED 6-32 ,BRASS,ELEC	8	
13		1216108-00	HEADER,200 8POS STRAIGHT	1	J1
14		1216108-01	HEADER,200 10POS STRAIGHT	1	J2
15		1216269-00	TERM SPADE 1POS SOLDER STRIP	10	
16		1216316-00	HEAT SINK,ALUM,YELLOW CHROM. FIN	2	
17		1300229-00	100.0 .25 W 5.0 % CC	1	R8
18		1300365-00	1.0 K .25 W 5.0 % CC	1	R4
19		1305380-00	270.0 2.0 W 5.0 % CC	1	R7
20		1314350-00	1.0 2.0 W10.0 % WW	5	R2,R3,R9-R11
21		1314172-01	100.0 14.0 W 5.0 % WW	1	R6
22		1314544-00	270.0 10.0 W 5.0 % WW	2	R1,R5
23		1514195-00	2N 6547 PNP 400V SI 15A	4	Q2-Q5
24		1514271-01	D 44Q5 NFN 31W SI225 30	1	Q1
25		1614202-00	XFMR,CURRENT	1	T1
26		1614203-00	CHOKE,BALUN-COMMON MODE	2	T3,T4
27		1614204-00	PULSE XFMR 20312 BASE DRIVE	1	T2
28		7422046-00	HEAT SINK,SINGLE	1	
29		7422046-01	HEAT SINK	2	
30		9006011-01	SCREW,PAN,PHIL 4-40X 3/8 SS	1	

REVISION HISTORY		BASIC PART NO: 5413599		DRN:	K.FRIEDGEN	DATE:	20-JUL-79	D I G I T A L	
ENG	ECD NUMBER	REV	SECTION A OF A	CHK'D:	F.GERRY	DATE:	20-JUL-79	TITLE	PARTS LIST
RR	5413599-TW001	C	[A] 00	DES.ENG:	J.A.HERRMANN	DATE:	20-JUL-79	DOCUMENT NUMBER	
			[B]	RESP.ENG.:	J.A.HERRMANN	DATE:	20-JUL-79	SIZE	CODE
			[C]	MFG.ENG.:	F.MUNIZ	DATE:	20-JUL-79	NUMBER	REV
			[D]	ASSEMBLY NUMBER:		TOP DOCUMENT NUMBER:		FILE NAME:	EDIT #
			[E]	ID-UA-5413559-0-0				Z0399C.PLS	14

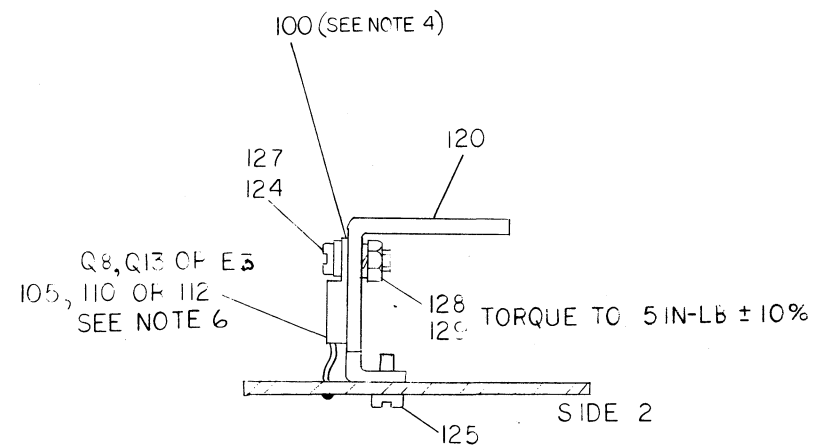
"THIS DRAWING AND SPECIFICATIONS HEREIN, ARE THE PROPERTY OF DIGITAL EQUIPMENT CORPORATION AND SHALL NOT BE REPRODUCED OR COPIED OR USED IN WHOLE OR IN PART AS THE BASIS FOR THE MANUFACTURE OR SALE OF ITEMS WITHOUT WRITTEN PERMISSION. COPYRIGHT (C) 1980. DIGITAL EQUIPMENT CORPORATION "

THIS DRAWING AND SPECIFICATIONS, RIGHTS, AND THE PROPERTY OF DIGITAL EQUIPMENT CORPORATION AND SHALL NOT BE REPRODUCED OR COPIED IN WHOLE OR IN PART AS THE BASIS FOR THE MANUFACTURE OR SALE OF ITEMS WITHOUT WRITTEN PERMISSION. COPYRIGHT © 1975 DIGITAL EQUIPMENT CORPORATION

2 DUA 5413607-0-0 E 2 1



DETAIL A
SEE NOTE 7

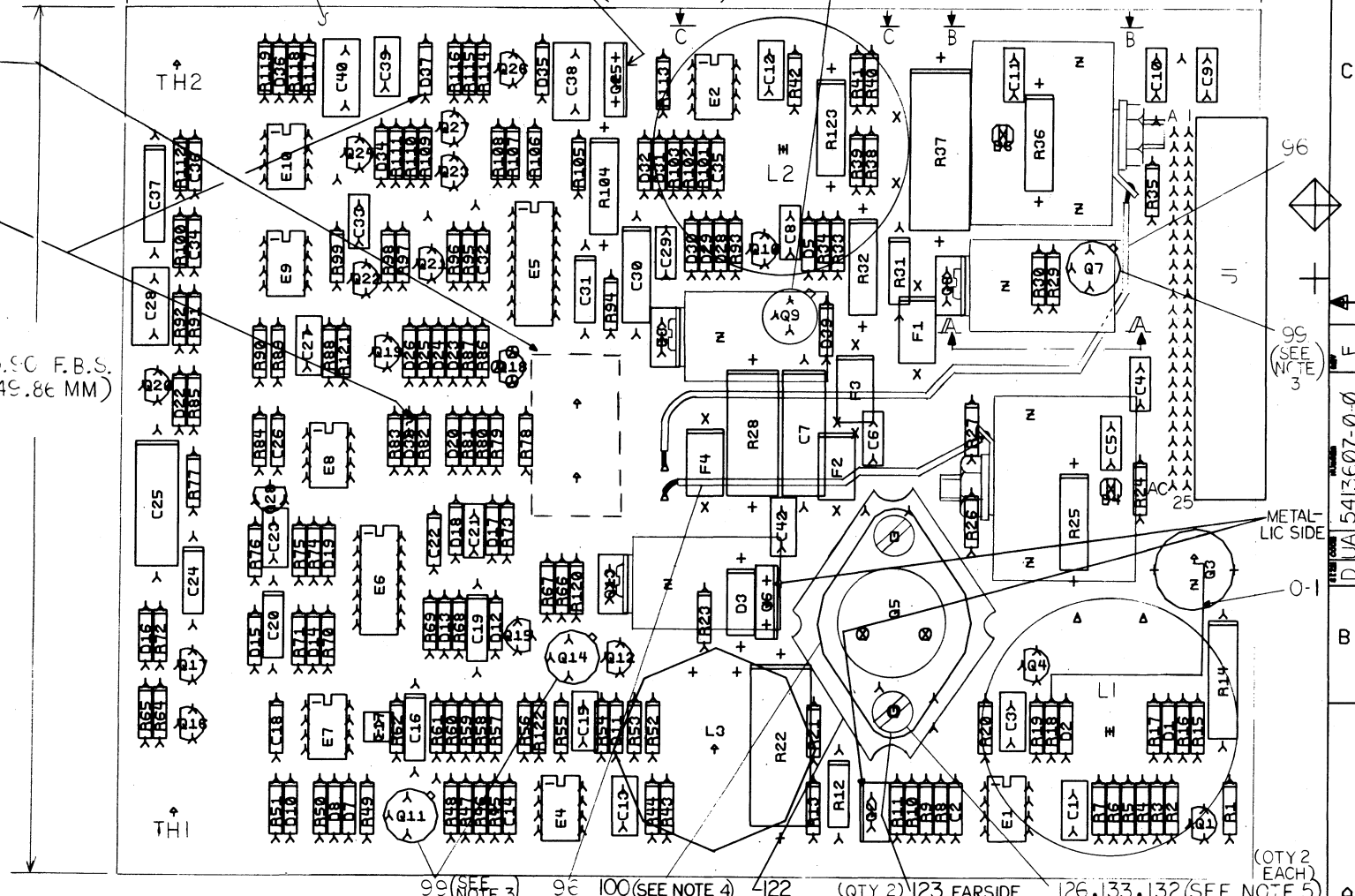


SECTION A-A
SCALE: 2/1
TYPICAL 3 PLACES

FOR -00 DIODE IS USED
FOR -YA JUMPER IS USED

SEE
DETAIL
(A)

5.90 F.B.S.
(149.86 MM)



- NOTES:
1. R2, R37 MUST BE PLACED .125" TO .150"
 2. D3 MUST BE PLACED .05" TO .10"
 3. U.L.E. TRANSFADS (ITEM 99) UNDER Q7, Q9, Q11, Q14.
 4. USE THE 1/4" DIA. HOLES (ITEM 100) BETWEEN E3, Q8, Q13, D4, D6 / HEAT SINK.

STEP	Y AXIS	STEP	TIMES
1	→	5.025	1
2	→	7.900	1

CHANGE NO	REV	DATE	BY	CHK'D
5413607-TWA	E		R. WOLF	

5. TORQUE TO 6 IN LB ± 10%
6. Q8, Q13, E3, D4, D6 MUST BE MOUNTED TO HEAT SINKS BEFORE BEING ATTACHED TO P.C.B.
7. MASK THIS AREA ON SIDE 2 ONLY, KEEP FREE OF SOLDER.

ETCH REV.	D-PI
-----------	------

SIGNATURES	DATE	TITLE
DRN. P. RICHARD TELLIER	12-27-79	digital
CHK'D. Mark	2-5-80	
MECH. ENG. Bob Wolf	10-9-80	
PROJ. ENG. Bob Wolf	10-9-80	MEMORY REGULATOR
PROD. Bob Wolf	10-9-80	
SCALE 2/1	SIZE CODE	NUMBER
SHT. 1 OF 2	D	UA 5413607-0-0
NEXT HIGHER REV. B-DD-5413607-0		

TW 1 MS#171921 D-PI

8

REV. E
NUMBER 5413607-0-0
SIZE CODE DUA

6

5

4

3

2

1

"THIS DRAWING AND SPECIFICATIONS, HEREIN, ARE THE PROPERTY OF DIGITAL EQUIPMENT CORPORATION AND SHALL NOT BE REPRODUCED OR COPIED OR USED IN WHOLE OR IN PART AS THE BASIS FOR THE MANUFACTURE OR SALE OF ITEMS WITHOUT WRITTEN PERMISSION.
COPYRIGHT © 1980 DIGITAL EQUIPMENT CORPORATION"

REWORK INSTRUCTION

WIRE ADD SIDE 1
0-1 FROM R18 (WRAP WIRE AROUND COMPONENT LEAD) TO Q3 CATHODE (GND)
(USE ITEM 144.)

D

D

C

C

B

B

A

A

REV. E

SIZE CODE DUA
NUMBER 5413607-0-0

REVISION HISTORY		
DATE	ECO NUMBER	REV.

TITLE
MEMORY REGULATOR

DOCUMENT NUMBER		
SIZE CODE	NUMBER	REV.
DUA	5413607-0-0	E
SCALE $\frac{1}{10}$		SHEET 2 OF 2

DRD 137A

8

7

6

5

4

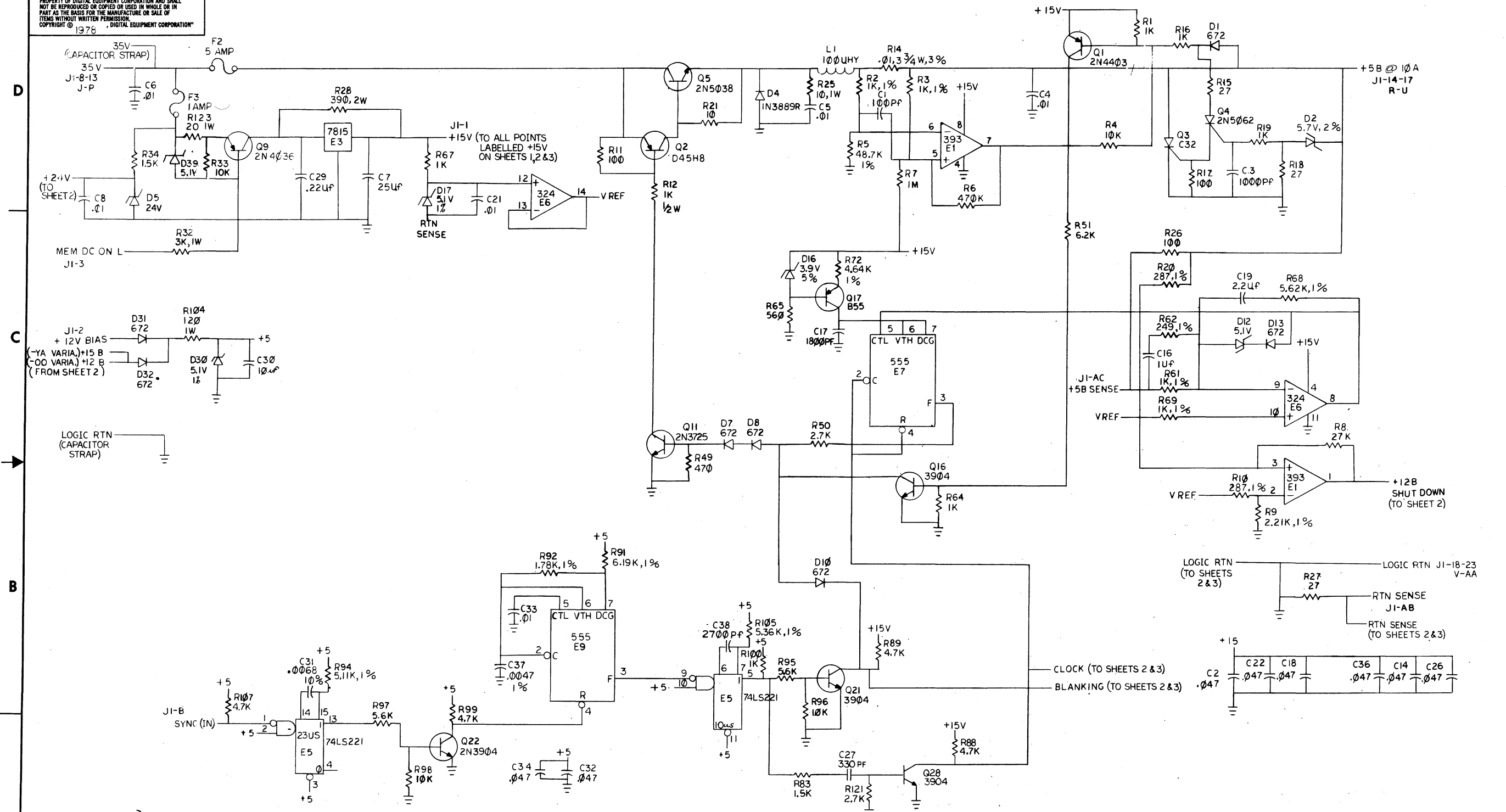
3

2

tw 1

1

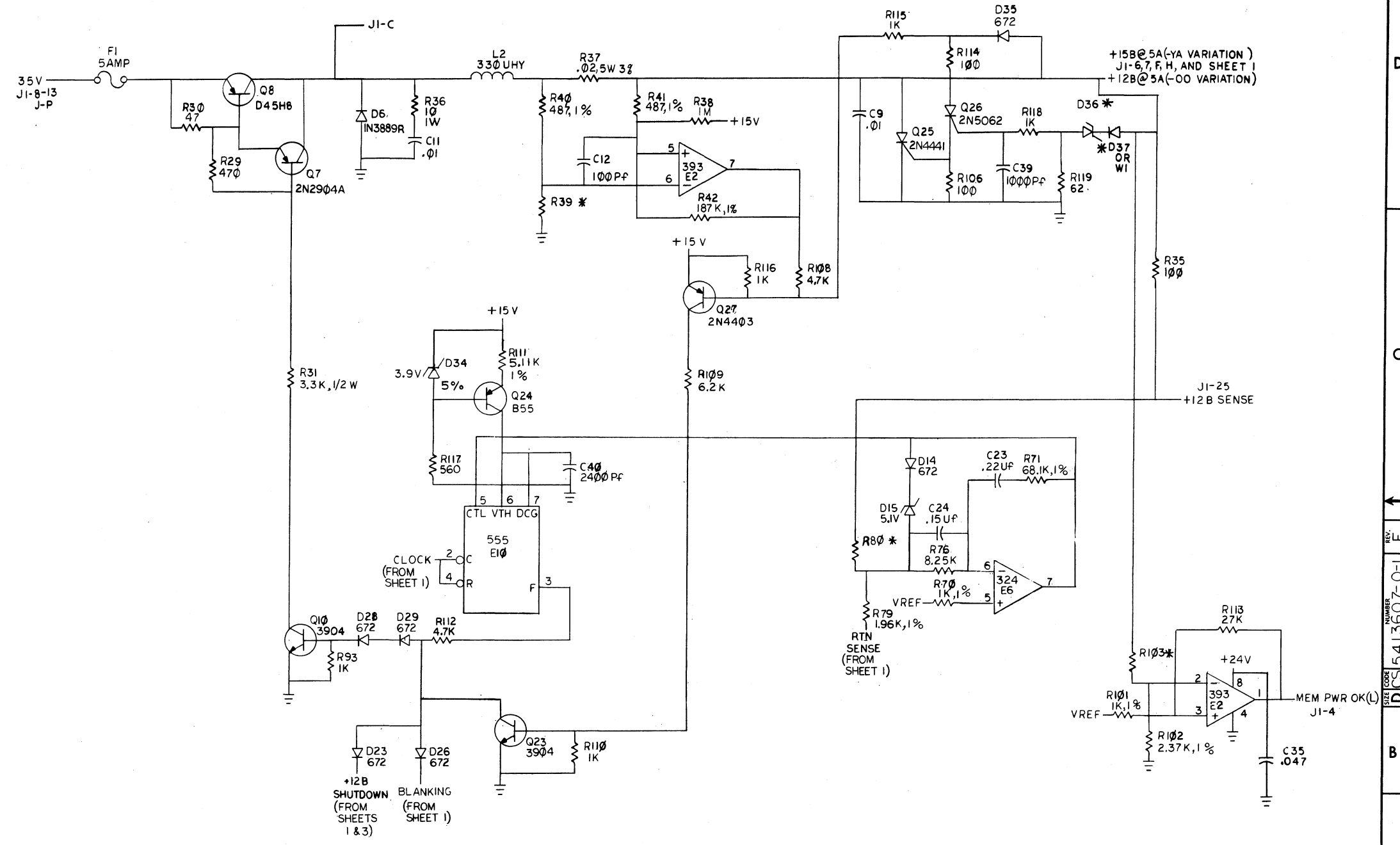
"THIS DRAWING AND SPECIFICATIONS, HEREIN, ARE THE PROPERTY OF DIGITAL EQUIPMENT CORPORATION AND SHALL NOT BE REPRODUCED OR COPIED OR USED IN WHOLE OR IN PART AS THE BASIS FOR THE MANUFACTURE OR SALE OF ITEMS WITHOUT WRITTEN PERMISSION. COPYRIGHT © 1978, DIGITAL EQUIPMENT CORPORATION"



REV.	CHG.	NO.	DATE	BY	CHK.
C		1	10-20-78	R. W. Sullivan	J. F. Sullivan
D		2	8/6/77	R. W. Sullivan	J. F. Sullivan
E		3	8/6/77	R. W. Sullivan	J. F. Sullivan

DRN. <i>Roy Cannon</i>	10-20-78	FIRST USED ON	H7140	digital
CHK'D <i>J.F. Sullivan</i>	1/27/79	TITLE	MEM REG	
ENG. <i>R. W. Sullivan</i>	8/6/77	SIZE	D	CODE
PROJ. ENG. <i>R. W. Sullivan</i>	8/6/77	NUMBER	CS 5413607-0-1	REV.
PROD. <i>F. Munn</i>	8/6/77	DIST.		E

"THIS DRAWING AND SPECIFICATIONS, HEREIN, ARE THE PROPERTY OF DIGITAL EQUIPMENT CORPORATION AND SHALL NOT BE REPRODUCED OR COPIED OR USED IN WHOLE OR IN PART AS THE BASIS FOR THE MANUFACTURE OR SALE OF ITEMS WITHOUT WRITTEN PERMISSION. COPYRIGHT © 1972 DIGITAL EQUIPMENT CORPORATION"



*

COMPONENT DESIGNATOR	-00 VARIATION	-YA VARIATION
D36	13V, 5%	18V, 5%
R39	39.2K, 1%	48.7K, 1%
R80	2.67K, 1%	3.83K, 1%
R103	2.67K, 1%	3.83K, 1%
D37	672	
W1		JUMPER

LOGIC RTN (FROM SHEET 1)

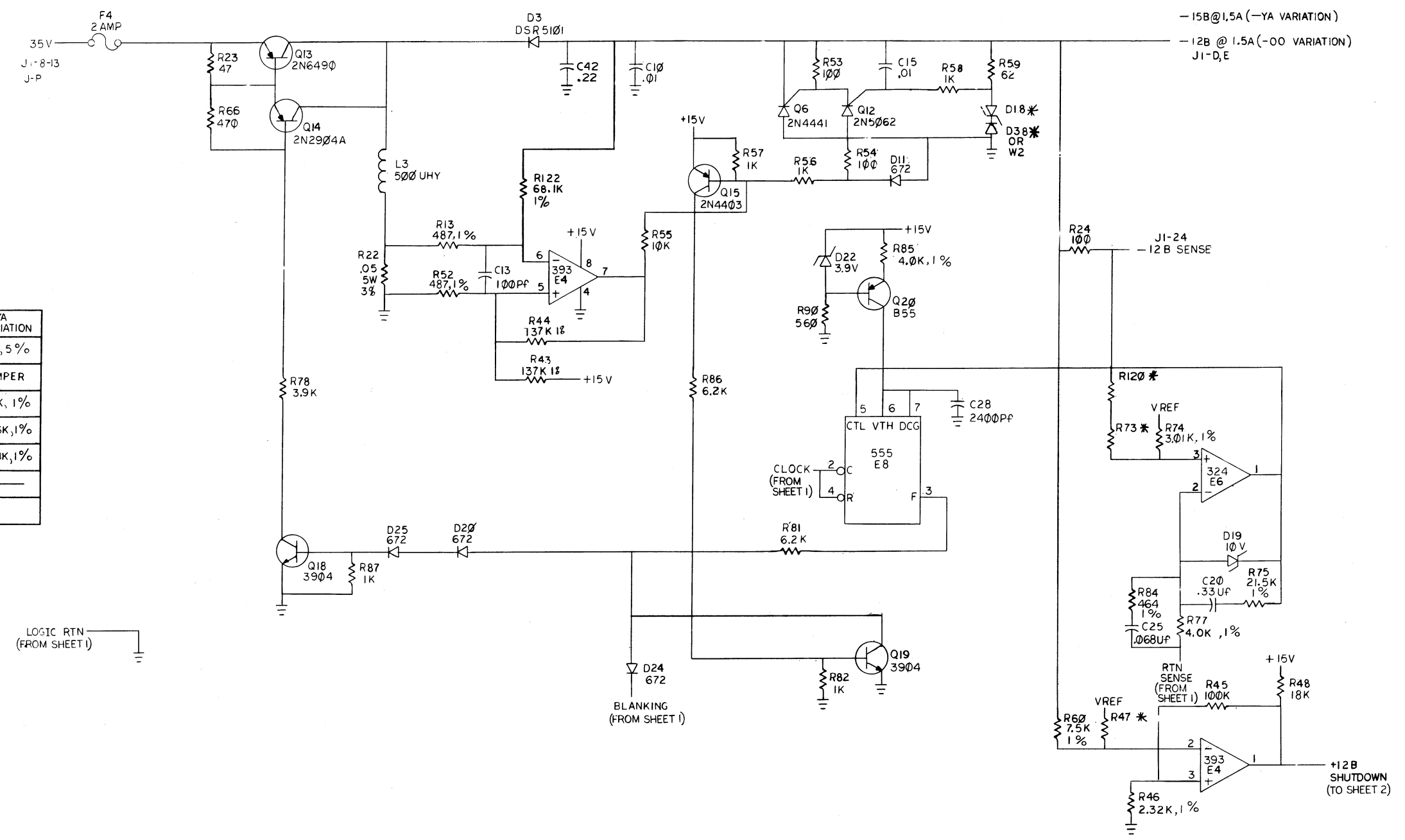
REVISIONS		
CHK	CHANGE NO.	REV.

REV. NUMBER DCS 5413607-0-1 E

THIS DRAWING AND SPECIFICATIONS, HEREIN, ARE THE PROPERTY OF DIGITAL EQUIPMENT CORPORATION AND SHALL NOT BE REPRODUCED OR COPIED OR USED IN WHOLE OR IN PART AS THE BASIS FOR THE MANUFACTURE OR SALE OF ITEMS WITHOUT WRITTEN PERMISSION. COPYRIGHT © 1978 DIGITAL EQUIPMENT CORPORATION

*

COMPONENT DESIGNATOR	-00 VARIATION	-YA VARIATION
D18	13V, 5%	18V, 5%
W2	---	JUMPER
R47	3.48K, 1%	2.8K, 1%
R73	5.62K, 1%	5.36K, 1%
R120	1.47K, 1%	3.48K, 1%
D38	672	---



LOGIC RTN (FROM SHEET 1)

BLANKING (FROM SHEET 1)

REVISIONS		
CHK	CHANGE NO.	REV.

DCS 5413607-0-1 E

LINE ITEM	DOCUMENT NUMBER	PART NUMBER	DESCRIPTION	QTY PER VARIATION		REFERENCE DESIGNATOR
				00	YA	
1	D-MD-5013606-0-0	5013606-00	DRILL & ETCH RD	1	1	
2		1004813-00	10 MFD 20V 10% S.TANT	1	1	C30
3		1000042-00	1000.0 MMF 100V 5%200PPM MICA	2	2	C3,C39
4		1000052-00	.068 MFD 100V 10% MYLR	1	1	C25
5		1000060-00	6800.0 MMF 200V 10% MYLR	1	1	C31
6		1000075-00	25 MFD 25V +75-10% AL EL	1	1	C7
7		1001610-01	.01 MFD50/100V +80-20% DISC	10	10	C4-C6,C8-C11,C21,C33,C15
8		1001776-00	1 MFD 35V 10% S.TANT	1	1	C16
9		1001636-00	2400.0 MMF 100V 5%200PPM MICA	2	2	C28,C40
10		1014170-00	2700.0 MMF 100V 1% 70PPM MICA	1	1	C38
11		1002627-00	2.2MFD 20V 10% S.TANT	1	1	C19
12		1005328-00	.33 MFD 10V 10% S.TANT	1	1	C20
13		1009312-00	.0047 MFD 100V 1% MYLR	1	1	C37
14		1010274-01	.22 MFD 50V +80-20% Z5U CER	1	1	C29
15		1011740-02	1800.0 MMF 50V 10% CER	1	1	C17
16		1011895-00	.15 MFD 35V 10% S.TANT	1	1	C24
17		1012784-00	.047 MFD 50V +80-20% CER	9	9	C2,C14,C18,C22,C26,C32,C34-C36
18		1100122-00	1N 748A VZ= 3.9 5%	3	3	D16,D22,D34
19		1105275-00	D 672 TR= 15NS PIV= 60V SI	19	-	D1,D7,D8,D10,D11,D13,D14,D20, D23-D26,D28,D29,D31,D32,D35,D37, D38
		CONT		-	17	D1,D7,D8,D10,D11,D13,D14,D20, D23-D26,D28,D29,D31,D32,D35
20		1100125-00	1N 758A VZ= 10.0 5% .40W PPE	1	1	D19
21		1105871-00	1/4M5.1A21 = 5.1 1% .25W N	3	3	D17,D30,D39
22		1109988-00	1N 964B VZ= 13.0 5% .40W	2	-	D18,D36
23		1110491-01	1N 3889R PIV=50 I=12A D04	2	2	D4,D6
24		1110713-00	SZ710910 VZ= 5.1 2% M	2	2	D12,D15
25		1110856-00	1N 970B VZ= 24.0 5% .40W Y	1	1	D5
26		1111205-00	SCREENED VZ= 5.7 2% .40W	1	1	D2

REVISION HISTORY		BASIC PART NO: 5413607		DRN:	J.FERGUSON	DATE:	06-AUG-80	DIGITAL			
ENG	ECO NUMBER	REV	SECTION A OF A	CHK'D:	J.FERGUSON	DATE:	06-AUG-80	TITLE	PARTS LIST		
	TW005	H	SECTION VARIATION INDEX					MEMORY REG			
			[A] 00, YA								
			[B]								
			[C]	DES.ENG:	B.WOLF	DATE:	06-AUG-80				
			[D]								
			[E]					DOCUMENT NUMBER			
			[F]	RESP.ENG.:	B.WOLF	DATE:	06-AUG-80	SIZE	CODE	NUMBER	REV
			[G]								
			[H]								
			[I]	MFG.ENG.:	P.WAITKUS	DATE:	06-AUG-80	K	PL	5413607-0-DBP	H
			[J]								
			[K]								
			[L]								
			[M]	ASSEMBLY NUMBER:		TOP DOCUMENT NUMBER:		FILE NAME:		EDIT #:	
			[N]	D-UA-5413607-0-0		B-DD-5413607-0-0		Z0403H.PLS		38	

"THIS DRAWING AND SPECIFICATIONS HEREIN, ARE THE PROPERTY OF DIGITAL EQUIPMENT CORPORATION AND SHALL NOT BE REPRODUCED OR COPIED OR USED IN WHOLE OR IN PART AS THE BASIS FOR THE MANUFACTURE OR SALE OF ITEMS WITHOUT WRITTEN PERMISSION. COPYRIGHT (C) 1980. DIGITAL EQUIPMENT CORPORATION "

TW

LINE	ITEM	DOCUMENT NUMBER	PART NUMBER	DESCRIPTION	QTY	PER	VARIATION	REFERENCE DESIGNATOR
					00	YA		
27	27		1114602-00	UES1302 PIV=100V I= 4A	1	1		D3
28	28		1110968-00	2N 5062 SCR@100V I=.8A T092	3	3		Q4,Q12,Q26
29	29		1010978-40	.22 MFD 50V 10% CER	2	2		C23,C42
30	30		1210929-02	FUSE, SUB-MINI 1.000A, 125V, A	1	1		F3
31	31		1205747-00	FUSE, SUB-MINI, 5.000A, 125V, A	2	2		F1,F2
32	32		1216112-03	HEADER.100 50POS RT ANGLE	1	1		J1
33	33		1305127-00	4.0 K .25 W 1.0 % RN55D-F10	2	2		R77,R85
34	34		1304856-00	4.64 K .25 W 1.0 % RN55D-F10	1	1		R72
35	35		1304854-00	5.11 K .25 W 1.0 % RN55D-F10	2	2		R94,R111
36	36		1300391-00	1.50 K .25 W 5.0 % CC	2	2		R34,R83
37	37		1300316-00	470.0 .25 W 5.0 % CC	3	3		R29,R49,R66
38	38		1300447-00	4.70 K .25 W 5.0 % CC	6	6		R99,R107,R112,R88,R89,R108
39	39		1300229-00	100.0 .25 W 5.0 % CC	9	9		R11,R17,R24,R26,R35,R53,R54, CONT R106,R114
40	40		1301317-00	10.0 .25 W 5.0 % CC	1	1		R21
41	41		1300364-00	1.0 K .50 W 5.0 % CC	1	1		R12
42	42		1300171-00	10.0 1.0 W 5.0 % CC	2	2		R25,R36
43	43		1313014-00	.01 3.75 W 3.0 % WW	1	1		R14
44	44		1301864-00	390.0 2.0 W 5.0 % CC	1	1		R28
45	45		1300479-00	10.0 K .25 W 5.0 % CC	5	5		R4,R33,R55,R96,R98
46	46		1309595-00	1.0 M .25 W 5.0 % CC	2	2		R7,R38
47	47		1303114-00	1.0 K .25 W 1.0 % RN55D-F10	6	6		R2,R3,R61,R69,R70,R101
48	48		1313842-00	48.70 K .25 W 1.0 % RN55D-F10	1	-		R5
			CONT		-	2		R5,R39
49	49		1300365-00	1.0 K .25 W 5.0 % CC	16	16		R1,R16,R19,R56-R58,R64,R67,R82, CONT R87,R93,R100,R110,R115,R116,R118
50	50		1301522-00	27.0 .25 W 5.0 % CC	3	3		R15,R18,R27
51	51		1305114-00	3.48 K .25 W 1.0 % RN55D-F10	1	-		R47
			CONT		-	1		R120
52	52		1301890-00	560.0 .25 W 5.0 % CC	3	3		R65,R90,R117
53	53		1300426-00	2.70 K .25 W 5.0 % CC	2	2		R50,R121
54	54		1211751-00	FUSE, SUB-MINI, 2.000A, 125V, A	1	1		F4
55	55		1305128-00	5.62 K .25 W 1.0 % RN55D-F10	2	-		R68,R73
			CONT		-	1		R68
56	56		1303044-00	100.0 K .25 W 1.0 % RN55D-F10	1	1		R45
57	57		1309787-00	249.0 .25 W 1.0 % RN55E-F 2	1	1		R62
58	58		1310876-03	.05 5.0 W 3.0 % WW	1	1		R22
59	59		1305124-00	287.0 .25 W 1.0 % RN55D-F10	2	2		R10,R20
60	60		1310631-00	2.21 K .25 W 1.0 % RN55D-F10	1	1		R9
61	61		1313341-00	5.36 K .25 W 1.0 % RN55D-F10	1	-		R105
			CONT		-	2		R105,R73
62	62		1302612-00	1.78 K .25 W 1.0 % RN55D-F10	1	1		R92
63	63		1300202-00	47.0 .25 W 5.0 % CC	2	2		R23,R30
64	64		9006801-00	SPACER, HEX, ALUM, .138 ID X .3	1	1		
65	65		1311845-00	487.0 .25 W 1.0 % RN55D-F10	4	4		R13,R40,R41,R52
66	66		1305265-00	39.20 K .25 W 1.0 % RN55D-F10	1	-		R39
67	67		1310876-00	.02 5.0 W 3.0 % WW	1	1		R37
68	68		1312984-00	187.0 K .25 W 1.0 % RN55D-F10	1	1		R42

D	I	G	I	T	A	L	TITLE	SECTION A OF A	SIZE	CODE	DOCUMENT NUMBER	REV
							MEMORY REG		K	PL	5413607-0-DBP	H

TW

LINE	ITEM	DOCUMENT NUMBER	PART NUMBER	DESCRIPTION	QTY	PER	VARIATION	REFERENCE DESIGNATOR
					00	YA		
69	69		9006026-01	SCREW,PAN,PHIL 6-32X 3/4 SS	1	1		
70	70		1300440-00	3.30 K .50 W 5.0 % CC	1	1		R31
71	71		1312929-00	62.0 .25 W 5.0 % CC	2	2		R59,R119
72	72		1305252-00	68.10 K .25 W 1.0 % RN55D-F10	2	2		R71,R122
73	73		1305325-00	8.25 K .25 W 1.0 % RN55D-F10	1	1		R76
74	74		9006653-00	WASHER, FLAT, .375 O.D. X .156 I	1	1		
75	75		9107560-03	WIRE,BUSS,18AWG	A/R	A/R		
76	76		1305346-00	27.0 K .25 W 5.0 % CC	2	2		R8,R113
77	77		1310634-00	2.67 K .25 W 1.0 % RN55D-F10	2	-		R80,R103
78	78		1310632-00	2.37 K .25 W 1.0 % RN55D-F10	1	1		R102
79	79		1301874-00	5.60 K .25 W 5.0 % CC	2	2		R95,R97
80	80		1300444-00	3.90 K .25 W 5.0 % CC	1	1		R78
81	81	BLANK		*** THIS ITEM IS NOT USED ***	-	-		
82	82		1303155-00	21.50 K .25 W 1.0 % RN55D-F10	1	1		R75
83	83		1314041-00	3.01 K .25 W 1.0 % RN55D-F10	1	1		R74
84	84		1312931-00	6.20 K .25 W 5.0 % CC	4	4		R51,R81,R86,R109
85	85		1000016-00	100.0 MMF 100V 5%200PPM MICA	3	3		C1,C12,C13
86	86		1304833-00	1.96 K .25 W 1.0 % RN55D-F10	1	1		R79
87	87		1305322-00	7.50 K .25 W 1.0 % RN55D-F10	1	1		R60
88	88		1312545-00	2.32 K .25 W 1.0 % RN55D-F10	1	1		R46
89	89		1300433-00	3.0 K 1.0 W 5.0 % CC	1	1		R32
90	90		1302398-00	470.0 K .25 W 5.0 % CC	1	1		R6
91	91		1000023-00	330.0 MMF 100V 5%200PPM MICA	1	1		C27
92	92		1302465-00	18.0 K .25 W 5.0 % CC	1	1		R48
93	93		1303047-00	464.0 .25 W 1.0 % RN55D-F10	1	1		R84
94	94		1305422-00	137.0 K .25 W 1.0 % RN55D-F10	2	2		R43,R44
95	95		1301838-00	120.0 1.0 W 5.0 % CC	1	1		R104
96	96		9107370-00	WIRE,STRND,14AWG,IPVC UL1534	A/R	A/R		
97	97		9008150-00	TERM LUG 1POS LOCKING,SOLDER	2	2		
98	98	BLANK		*** THIS ITEM IS NOT USED ***	-	-		
99	99		9007201-00	TRANSIPADS #10253	4	4		
100	100		9008268-00	COMPOUND, THERMAL JOINT	A/R	A/R		
101	101		1510928-00	C32AX135 SCR@100V I=25A	1	1		Q3
102	102		1505867-00	2N 4441 SCR@ 50V & 8A	2	2		Q6,Q25
103	103		1305108-00	1.47 K .25 W 1.0 % RN55D-F10	1	-		R120
104	104		1510969-00	2N 5038 NPN 140WC SI 90 50 Y	1	1		Q5
105	105		1510708-00	D 45H8 PNP 50WT SI 60 60 Y	2	2		Q2,Q8
106	106		1510959-00	2N 3725 NPN 3.5WC SI 50 60 P	1	1		Q11
107	107		1510706-01	B 55 PNP 500MW SI 60 50	3	3		Q17,Q20,Q24
108	108		1513490-00	2N 4403 PNP 350MW SI-40 30	3	3		Q1,Q15,Q27
109	109		1509524-00	2N 3904 NPN 310MW SI 40 40 M	8	8		Q10,Q16,Q18,Q19,Q21,Q22,Q23,Q28
110	110		1512652-00	2N 6490 PNP 50W SI 60 40	1	1		Q13
111	111		1501913-00	2N 2904A PNP 600MW SI 60 40 Y	2	2		Q7,Q14
112	112		1914473-02	7815A VOLT REG, FIX +15V	1	1		E3
113	113		1914156-00	LM 393 VOLT.COMPARATOR DUAL	3	3		E1,E2,E4
114	114		1912107-00	324 OP AMP,QUAD	1	1		E6
115	115		1911944-00	555CN TIMER,FUNCT.BLOCK	4	4		E7-E10
116	116		1912858-00	LS221 ONE SHOT-DUAL,SCHMIT	1	1		E5

! D ! I ! G ! I ! T ! A ! L !	! TITLE	! SECTION A OF A	! SIZE ! CODE !	! DOCUMENT NUMBER	! REV !
! ! ! ! ! ! ! !	! MEMORY REG	! ! ! ! ! ! ! !	! K ! PL !	! 5413607-0-DBP	! H !

TW

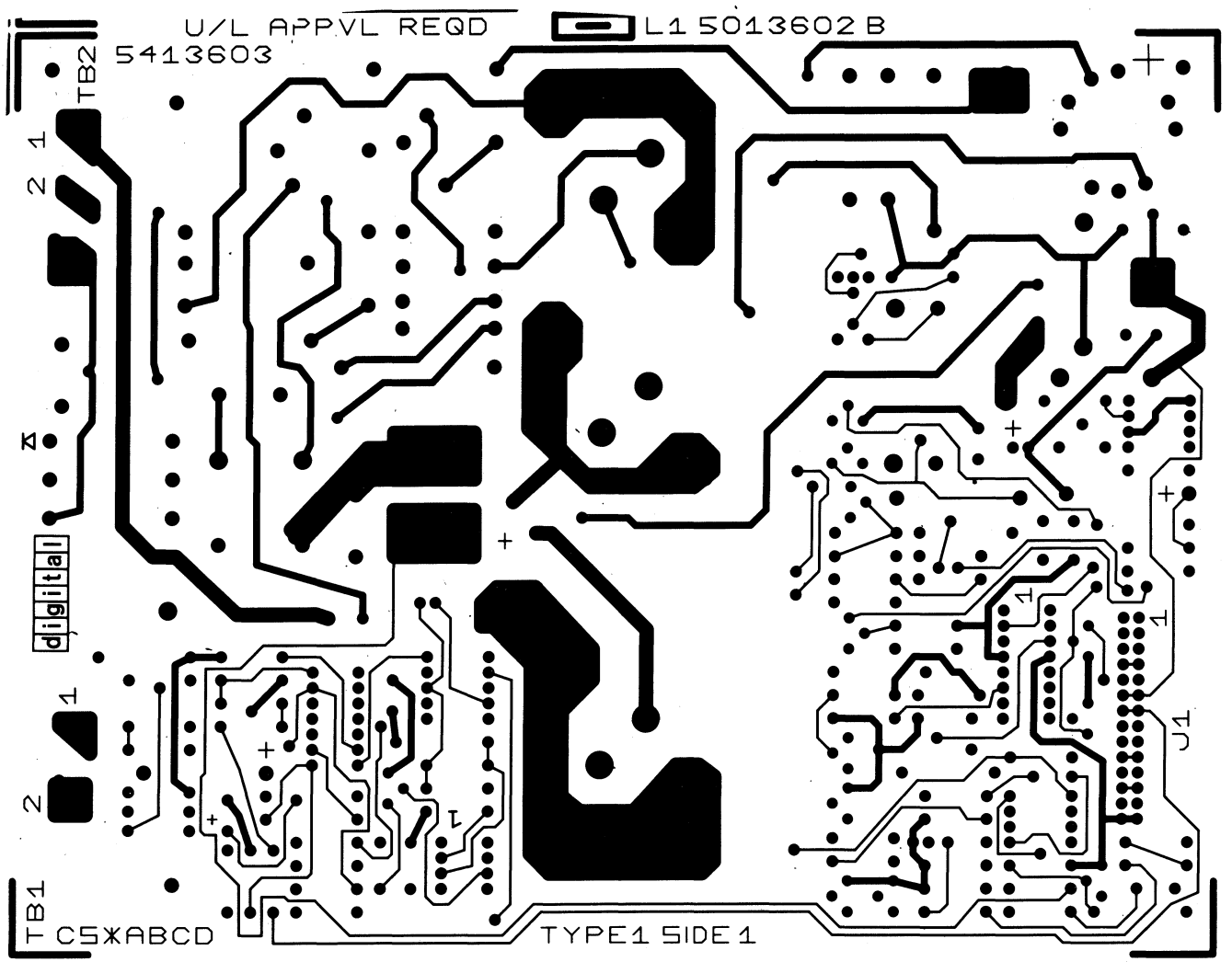
LINE	ITEM	DOCUMENT NUMBER	PART NUMBER	DESCRIPTION	QTY	PER	VARIATION	REFERENCE DESIGNATOR
					00	YA		
117	117		1616212-00	80.0 UH 12.5A	1	1		L1
118	118		1616210-00	250.0 UH @ 6.5A DC,600,0 UH @	1	1		L2
119	119		1616211-00	350.0 UH 3A	1	1		L3
120	120		7422046-00	HEAT SINK,SINGLE	3	3		
121	121		7422047-01	HEAT SINK DOUBLE	2	2		
122	122		1213426-03	HEAT SINK TO-3 1" HIGH	1	1		
123	123		1214789-00	INSERT,THREADED 6-32 ,BRASS,ELEC	2	2		
124	124		9009769-00	WASHER, RECTANGULAR .405X.225X.0	3	3		
125	125		9010128-00	SCREW,TAPPING,TYPE PAN ,PHIL,	7	7		
126	126		9006024-01	SCREW,PAN,PHIL 6-32X 1/2 SS	2	2		
127	127		9006011-01	SCREW,PAN,PHIL 4-40X 3/8 SS	3	3		
128	128		9006688-00	WASHER, LOCK, S.S. #4	3	3		
129	129		9006556-00	NUT,HEX , 4-40X1/4 AF X 3/	3	3		
130	130		9006041-01	SCREW,PAN,PHIL 8-32X 3/4 SS	2	2		
131	131		9006802-00	SPACER, HEX, ALUM, .164 ID X .3	2	2		
132	132		9006656-00	WASHER, FLAT, .312 O.D. X .156 I	2	2		
133	133		9007801-00	WASHER, LOCK, S.S. #6	3	3		
134	134		9006690-00	WASHER, LOCK, S.S. #8	2	2		
135	135		9006660-00	WASHER, FLAT, .375 O.D. X .187 I	2	2		
136	136		9009005-00	NUT,HEX , 10-32 X1/4 AF X 3	2	2		
137	137		9007906-00	WASHER, LOCK S.S. #10	2	2		
138	138		9009185-00	JUMPER, WIRE, INSULATED, BLACK B	-	2		W1,W2
139	139	BLANK		*** THIS ITEM IS NOT USED ***	-	-		
140	140		1509700-00	2N 4036 PNP 7WC SI 80100 M	1	1		Q9
141	141	BLANK		*** THIS ITEM IS NOT USED ***	-	-		
142	142		1314187-00	6.19 K .25 W 1.0 % RN55D-F10	1	1		R91
143	143	BLANK		*** THIS ITEM IS NOT USED ***	-	-		
144	144		9107688-55	WIRE(WRAP)24AWG UL1327	A/R	A/R		
145	145		1110766-00	1N 5248B VZ= 18.0 5% .50W	-	2		D18,D36
146	146		1309413-00	3.83 K .25 W 1.0 % RN55D-F10	-	2		R80,R103
147	147		1305145-00	2.80 K .25 W 1.0 % RN55D-F10	-	1		R47
148	148		1312993-00	20.0 1.0 W 5.0 % CC	1	1		R123

149 NOTE: ITEM #75; .17' IS USED.
 150 NOTE: ITEM #144; .19' IS USED.
 151 NOTE: ITEM #96; .56' IS USED.

! D ! I ! G ! I ! T ! A ! L !	! T I T L E !	! S E C T I O N !	! S I Z E !	! C O D E !	! D O C U M E N T !	! N U M B E R !	! R E V !
	MEMORY REG	A OF A	K	PL	5413607-0-DBP		H

TW

"THIS DRAWING AND SPECIFICATIONS, HEREIN, ARE THE PROPERTY OF DIGITAL EQUIPMENT CORPORATION AND SHALL NOT BE REPRODUCED OR COPIED OR USED IN WHOLE OR IN PART AS THE BASIS FOR THE MANUFACTURE OR SALE OF ITEMS WITHOUT WRITTEN PERMISSION. COPYRIGHT © 1971 DIGITAL EQUIPMENT CORPORATION"

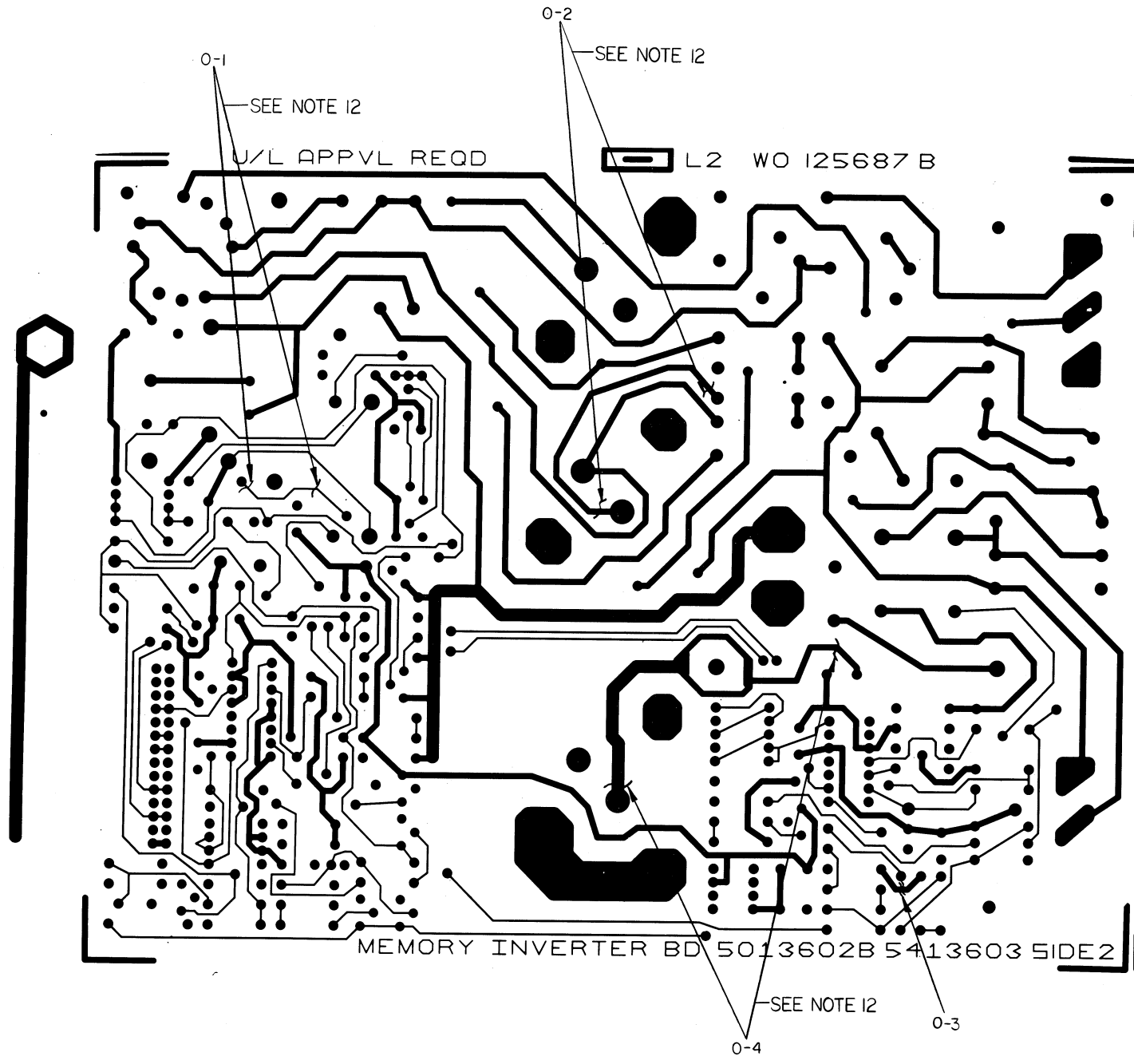


REVISIONS		
CHK	CHANGE NO.	REV.

TITLE	SIZE CODE	NUMBER	REV.
MEMORY INVERTER	D UA	5413603-0-0	C
SCALE 2/1	SHEET 3 OF 5	DIST.	

SIZE CODE D UA 5413603-0-0 C

"THIS DRAWING AND SPECIFICATIONS, HEREIN, ARE THE PROPERTY OF DIGITAL EQUIPMENT CORPORATION AND SHALL NOT BE REPRODUCED OR COPIED OR USED IN WHOLE OR IN PART AS THE BASIS FOR THE MANUFACTURE OR SALE OF ITEMS WITHOUT WRITTEN PERMISSION. COPYRIGHT © 1974 DIGITAL EQUIPMENT CORPORATION"



D
C
B
A

D
C
B
A

REV. C
NUMBER 5413603-0-0
DUA

REVISIONS		
CHK	CHANGE NO.	REV.

TITLE	SIZE CODE	NUMBER	REV.
MEMORY INVERTER	D UA	5413603-0-0	C
SCALE 2/1	SHEET 4 OF 5	DIST.	

tu

8

REV C 0-0-2093179 DUA 5413603-0-0

6

5

4

3

2

1

"THIS DRAWING AND SPECIFICATIONS, HEREIN, ARE THE PROPERTY OF DIGITAL EQUIPMENT CORPORATION AND SHALL NOT BE REPRODUCED OR COPIED OR USED IN WHOLE OR IN PART AS THE BASIS FOR THE MANUFACTURE OR SALE OF ITEMS WITHOUT WRITTEN PERMISSION. COPYRIGHT © 1979 DIGITAL EQUIPMENT CORPORATION"

REWORK INSTRUCTIONS

ETCH CUTS SIDE 2:

- 0-1 FROM R15 TO PTH BETWEEN C15 & R28. (REMOVE ENTIRE ETCH BETWEEN CUT MARKS)
- 0-2 FROM Q14/BASE TO D16/CATHODE. (REMOVE ENTIRE ETCH BETWEEN CUT MARKS)
- 0-3 FROM R53 TO R55
- 0-4 FROM D11/ANODE TO PTH CONNECTING TO TB2-1. (REMOVE ENTIRE ETCH BETWEEN CUT MARKS).

WIRE ADDS SIDE 1:

- 0-5 FROM R53 TO E3-3
- 0-6 FROM R66 TO R59
- 0-7 FROM PTH CLOSER TO R68 TO D11/ANODE. (USE ITEMS 127 & 129)
- 0-8 FROM D16/CATHODE TO Q14/BASE. (USE ITEMS 127 & 129)
- 0-9 FROM D4/CATHODE TO PTH BETWEEN C4 & R29
- 0-10 FROM R27 TO R15

D

D

C

C

B

B

A

A

REVISION HISTORY		
DATE	ECO NUMBER	REV.

TITLE
MEMORY INVERTER

DOCUMENT NUMBER		
SIZE CODE	NUMBER	REV.
DUA	5413603-0-0	C
SCALE	SHEET 5 OF 5	

8

7

6

5

4

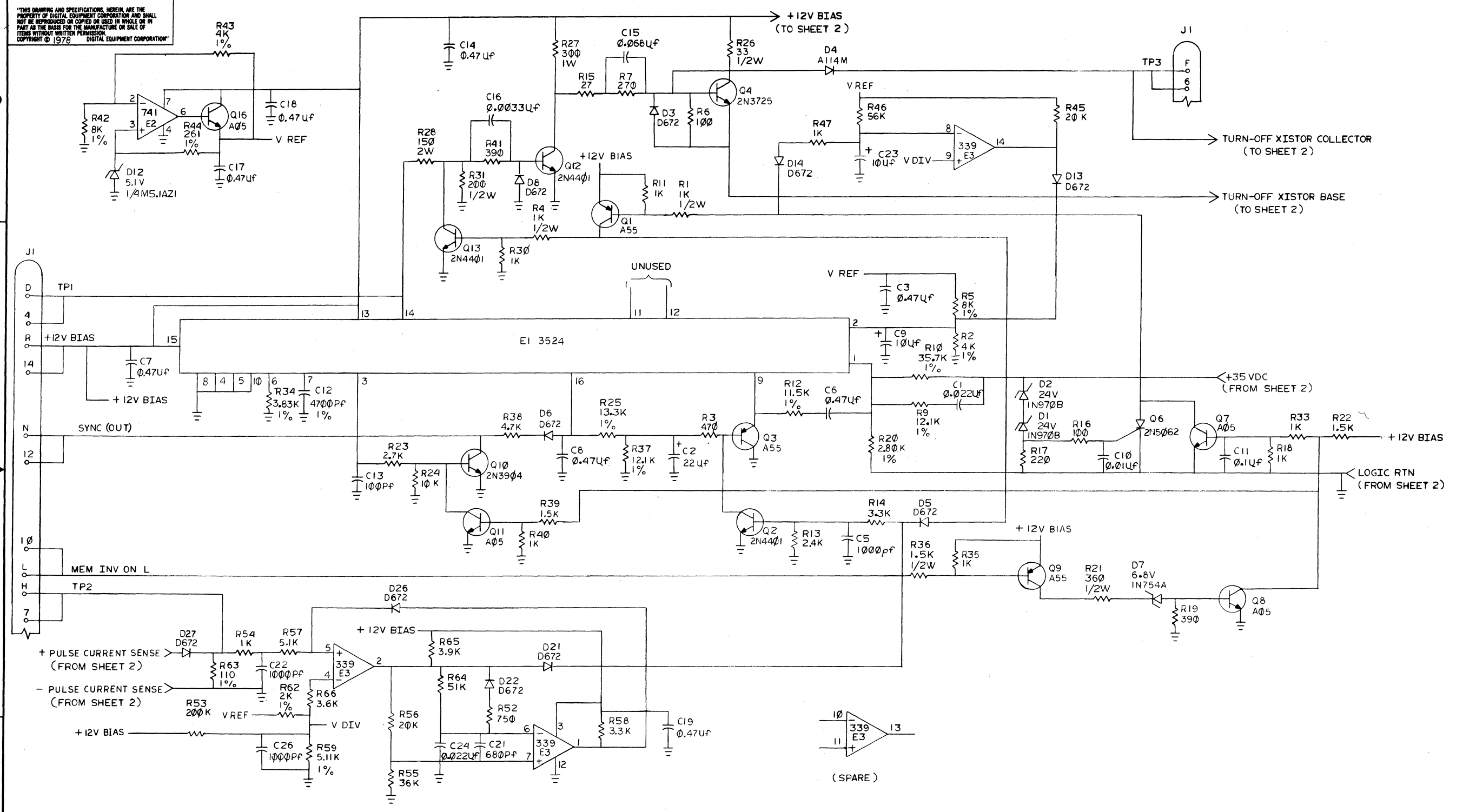
3

2

1

fw

DRD 137A



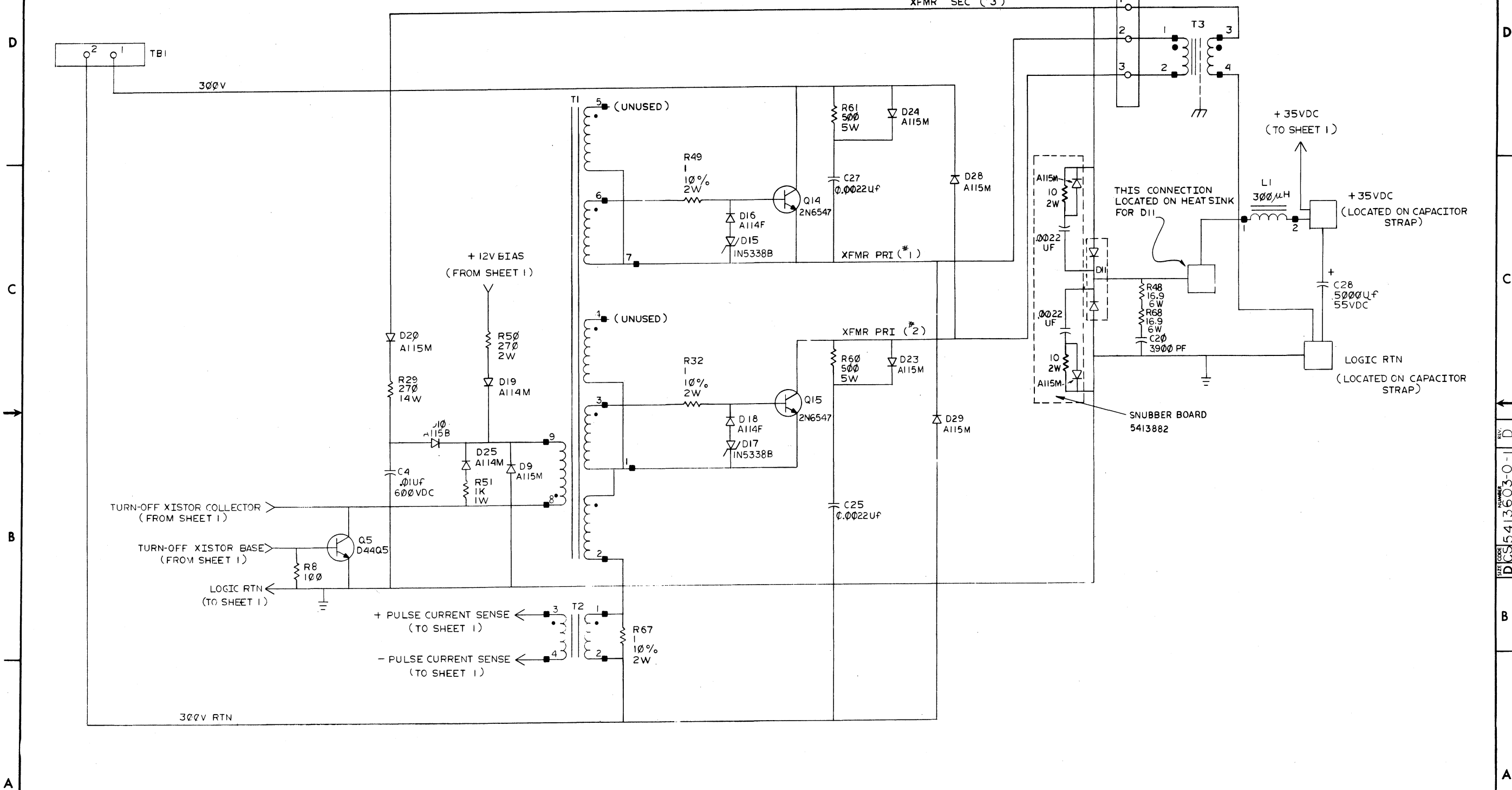
"THIS DRAWING AND SPECIFICATIONS HEREIN ARE THE PROPERTY OF DIGITAL EQUIPMENT CORPORATION AND SHALL NOT BE REPRODUCED OR COPIED OR USED IN WHOLE OR IN PART AS THE BASIS FOR THE MANUFACTURE OR SALE OF ITEMS WITHOUT WRITTEN PERMISSION. COPYRIGHT © 1978 DIGITAL EQUIPMENT CORPORATION"

REV.	DATE	BY	CHKD
1	29 APR 80	R. RICHARD	
2	29 APR 80	R. RICHARD	
3	9 JUNE 80	M. CAMOU	
4	9 SEPT 80	R. RICHARD	

DRN. <i>Ray Janner</i>	12-6-78	FIRST USED ON	
CHK'D <i>J. Janner</i>	2-27-79	TITLE	MEMORY INVERTER
ENG. <i>R. Janner</i>	7-27-79	PROJ. ENG. <i>R. Janner</i>	7-27-79
PROD. <i>F. Janner</i>	7-15-79	NEXT HIGHER ASSY.	
SCALE		SIZE CODE	D
SHEET 1	OF 2	NUMBER	CS 5413603-0-1
		REV.	D

TW 1

"THIS DRAWING AND SPECIFICATIONS, HEREIN, ARE THE PROPERTY OF DIGITAL EQUIPMENT CORPORATION AND SHALL NOT BE REPRODUCED OR COPIED OR USED IN WHOLE OR IN PART AS THE BASIS FOR THE MANUFACTURE OR SALE OF ITEMS WITHOUT WRITTEN PERMISSION. COPYRIGHT © 1972 DIGITAL EQUIPMENT CORPORATION"



REVISIONS		
CHK	CHANGE NO.	REV.

TITLE	MEMORY INVERTER	SIZE CODE	D CS	NUMBER	5413603-0-1	REV.	D
SCALE	+	SHEET	2	OF	2	DIST.	

LINE	ITEM	DOCUMENT NUMBER	PART NUMBER	DESCRIPTION	QTY PER VARIATION	REFERENCE DESIGNATOR
					00	
1	1	D-MD-5013602-0-0	5013602-00	DRILL & ETCH BD	1	
2	2		1000016-00	100.0 MMF 100V 5%200PPM MICA	1	C13
3	3		1000052-00	.068 MFD 100V 10% MYLR	1	C15
4	4		1012783-00	.022 MFD 50V +80-20% CER	1	C24
5	5		1005636-00	22 MFD 6V 10% S.TANT	1	C2
6	6		1009312-00	.0047 MFD 100V 1% MYLR	1	C12
7	7		1010279-00	.47 MFD 25V 20% CER	8	C7,C18,C19,C8,C14,C17,C3,C6
8	8		1010978-24	.01 MFD 50V 10% CER	1	C10
9	9		1011740-01	3300.0 MMF 50V 10% CER	1	C16
10	10		1011683-00	.022 MFD 50V 10% CER	1	C1
11	11		1013466-08	680.0 MMF 50V 10% X7R CER	1	C21
12	12		1013466-09	1000.0 MMF 50V 10% X7R CER	3	C5,C22,C26
13	13		1011847-02	.01 MFD 600V 10% POLYPROP	1	C4
14	14		1014139-00	.0022 MFD 600V 10% POLYPROP	2	C25,C27
15	15		1013397-00	3900.0 MMF 200V 10%200PPM MICA	1	C20
16	16		1016168-00	5000 MFD 55V 20% AL EL	1	C28
17	17		1010978-36	.1 MFD 50V 10% CER	1	C11
18	18		1010866-02	10 MFD 25V +50-20% S.TANT	2	C9,C23
19	19		1105275-00	D 672 TR= 15NS PIV= 60V SI	10	D26,D27,D21,D22,D8,D5,D3,D14, CONT D13,D6
20	20		1105871-00	1/4M5.1AZ1 = 5.1 1% .25W N	1	D12
21	21		1109991-00	1N 754A VZ= 6.8 5% .40W	1	D7
22	22		1110856-00	1N 970B VZ= 24.0 5% .40W Y	2	D1,D2
23	23		1112594-01	A115B PIV=200 I= 3A	1	D10
24	24		1112594-02	A115M PIV=600 I= 3A	6	D24,D20,D23,D28,D29,D9
25	25		1112595-00	A114F PIV= 50 I= 1A	2	D16,D18
26	26		1112595-02	A114M PIV=600 I= 1A	3	D25,D4,D19
27	27		1114192-00	TR=200NS COM. CATHODE	1	D11
28	28		1114435-00	1N 5338B VZ= 5.1 5% 5W	2	D15,D17
29	29		1110968-00	2N 5062 SCR@100V I=.8A T092	1	Q6

REVISION HISTORY			BASIC PART NO: 5413603			DRN: K.SHEYTANIAN DATE: 20-DEC-78			DIGITAL		
ENG	ECD NUMBER	REV	SECTION A OF A	CHK'D:	F.GAROFALO	DATE:	TITLE	PARTS LIST			
---	INIT	A	SECTION.VARIATION INDEX	CHK'D:	F.GAROFALO	DATE:					
RW	5413603-TW001	B	[A] 00				MEMORY INVERTER				
AK	5413603-TW002	C	[B]								
AK	5413603-TW002	C	[C]	DES.ENG:	J.A.HERRMANN	DATE:					
RW	5413603-TW003	D	[D]								
			[E]								
			[F]	RESP.ENG.:	J.HERMANN	DATE: 20-DEC-78					
			[H]				SIZE	CODE	NUMBER	REV	
			[J]								
			[K]	MFG.ENG.:	J.COMELLA	DATE:	K	PL	5413603-0-DBP	D	
			[L]								
			[M]	ASSEMBLY NUMBER:		TOP DOCUMENT NUMBER:	FILE NAME:	EDIT			
			[N]	D-UA-5413603-0-0			Z0401.PLS		18		

*THIS DRAWING AND SPECIFICATIONS HEREIN, ARE THE PROPERTY OF DIGITAL EQUIPMENT CORPORATION AND SHALL NOT BE REPRODUCED OR COPIED OR USED IN WHOLE OR IN PART AS THE BASIS FOR THE MANUFACTURE OR SALE OF ITEMS WITHOUT WRITTEN PERMISSION. COPYRIGHT (C) 1980. DIGITAL EQUIPMENT CORPORATION *

LINE	ITEM	DOCUMENT NUMBER	PART NUMBER	DESCRIPTION	QTY	PER VARIATION	REFERENCE DESIGNATOR
					00		
30	30		1216112-01	HEADER.100 28POS RT ANGLE	1		J1
31	31		1214789-00	INSERT,THREADED 6-32 ,BRASS,ELEC	7		
32	32		1216269-01	TERM SPADE 1POS SOLDER STRIP	5		
33	33		1216314-00	HEAT SINK	1		
34	34		1216314-01	HEAT SINK	2		
35	35		1309679-00	16.90 6.0 W 1.0 % WW	2		R48,R68
36	36		1300195-00	33.0 .50 W 5.0 % CC	1		R26
37	37		1300229-00	100.0 .25 W 5.0 % CC	3		R16,R6,R8
38	38		1300250-00	*** THIS ITEM IS NOT USED ***	-		
39	39		1300257-00	150.0 2.0 W 5.0 % CC	1		R28
40	40		1300271-00	220.0 .25 W 5.0 % CC	1		R17
41	41		1300292-00	300.0 1.0 W 5.0 % CC	1		R27
42	42		1300309-00	390.0 .25 W 5.0 % CC	2		R19,R41
43	43		1300316-00	470.0 .25 W 5.0 % CC	1		R3
44	44		1300364-00	1.0 K .50 W 5.0 % CC	2		R4,R1
45	45		1300365-00	1.0 K .25 W 5.0 % CC	8		R30,R11,R35,R18,R33,R40,R47,R54
46	46		1300394-00	1.50 K .50 W 5.0 % CC	1		R36
47	47		1300439-00	3.30 K .25 W 5.0 % CC	2		R58,R14
48	48		1300444-00	3.90 K .25 W 5.0 % CC	1		R65
49	49		1300447-00	4.70 K .25 W 5.0 % CC	1		R38
50	50		1300479-00	10.0 K .25 W 5.0 % CC	1		R24
51	51		1301401-00	750.0 .25 W 5.0 % CC	1		R52
52	52		1301522-00	27.0 .25 W 5.0 % CC	1		R15
53	53		1303169-00	500.0 5.0 W 5.0 % WW	2		R60,R61
54	54		1301972-00	270.0 .25 W 5.0 % CC	1		R7
55	55		1302873-00	261.0 .25 W 1.0 % RN55D-F10	1		R44
56	56		1302377-00	*** THIS ITEM IS NOT USED ***	-		
57	57		1302383-00	360.0 .50 W 5.0 % CC	1		R21
58	58		1302391-00	20.0 K .25 W 5.0 % CC	2		R56,R45
59	59		1304839-00	51.0 K .25 W 5.0 % CC	1		R64
60	60		1303114-00	*** THIS ITEM IS NOT USED ***	-		
61	61		1303313-00	12.10 K .25 W 1.0 % RN55D-F10	2		R37,R9
62	62		1305127-00	4.0 K .25 W 1.0 % RN55D-F10	2		R43,R2
63	63		1305129-00	8.0 K .25 W 1.0 % RN55D-F10	2		R42,R5
64	64		1305145-00	2.80 K .25 W 1.0 % RN55D-F10	1		R20
65	65		1305322-00	*** THIS ITEM IS NOT USED ***	-		
66	66		1305380-00	270.0 2.0 W 5.0 % CC	1		R50
67	67		1305421-00	35.70 K .25 W 1.0 % RN55D-F10	1		R10
68	68		1314350-00	1.0 2.0 W10.0 % FUSE	3		R32,R49,R67
69	69		1309413-00	3.83 K .25 W 1.0 % RN55D-F10	1		R34
70	70		1314172-00	270.0 14.0 W 5.0 % WW	1		R29
71	71		1300426-00	2.70 K .25 W 5.0 % CC	1		R23
72	72		1312565-00	13.30 K .25 W 1.0 % RN55D-F10	1		R25
73	73		1312923-00	*** THIS ITEM IS NOT USED ***	-		
74	74		1312930-00	5.10 K .25 W 5.0 % CC	1		R57
75	75		1312932-00	36.0 K .25 W 5.0 % CC	1		R55
76	76		1313151-00	3.60 K .25 W 5.0 % CC	1		R66
77	77		1313581-00	110.0 .25 W 1.0 % RN55D-F10	1		R63

! D ! I ! G ! I ! T ! A ! L !	! TITLE !	! SECTION A OF A !	! SIZE ! CODE !	! DOCUMENT NUMBER !	! REV !
	MEMORY INVERTER		K ! PL !	5413603-0-DBP	D

LINE	ITEM	DOCUMENT NUMBER	PART NUMBER	DESCRIPTION	QTY PER VARIATION 00	REFERENCE DESIGNATOR
78	78		1300389-00	*** THIS ITEM IS NOT USED ***	-	
79	79		1302381-00	200.0 .50 W 5.0 % CC	1	R31
80	80		1300368-00	1.0 K 1.0 W 5.0 % CC	1	R51
81	81		1300391-00	1.50 K .25 W 5.0 % CC	2	R39,R22
82	82		1302395-00	56.0 K .25 W 5.0 % CC	1	R46
83	83		1510705-00	XA 05 NPN 500MW SI 60 50 P	4	Q7,Q8,Q11,Q16
84	84		1510706-00	XA 55 PNP 500MW SI 60 50 P	3	Q1,Q3,Q9
85	85		1510959-00	2N 3725 NPN 3.5WC SI 50 60 P	1	Q4
86	86		1513489-00	2N 4401 NPN 350MW SI 40 20	3	Q2,Q12,Q13
87	87		1514195-00	2N 6547 PNP 400V SI 15A	2	Q14,Q15
88	88		1514271-01	D 44Q5 NPN 31W SI225 30	1	Q5
89	89		1509524-00	2N 3904 NPN 310MW SI 40 40 M	1	Q10
90	90		1614202-00	XFMR,CURRENT	1	T2
91	91		1614204-00	PULSE XFMR 20312 BASE DRIVE	1	T1
92	92		1910298-00	741 OP AMP GEN PURP. COM	1	E2
93	93		1912108-00	339 VOLT CMPRTR,QUAD	1	E3
94	94		1914250-00	3524 MODULATOR-REGULATING	1	E1
95	95		7422046-00	HEAT SINK,SINGLE	1	
96	96		9006025-01	SCREW,PAN,PHIL 6-32X 5/8 SS	4	
97	97		9006656-00	WASHER, FLAT, .312 O.D. X .156 I	8	
98	98		9007801-00	WASHER, LOCK, S.S. #6	9	
99	99		9007836-00	EYELET, ROLLED FLANGE, .121 OD X	6	
100	100		9010128-00	SCREW,TAPPING,TYPE PAN,PHIL,	1	
101	101		7016051-00	TRANSFORMER ASSY	1	T3
102	102		7016052-00	CHOKE ASSY	1	L1
103	103		1303177-00	2.40 K .25 W 5.0 % CC	1	R13
104	104		1302860-00	11.50 K .25 W 1.0 % RN55D-F10	1	R12
105	105		1304854-00	5.11 K .25 W 1.0 % RN55D-F10	1	R59
106	106		1300411-00	2.0 K .25 W 1.0 % RN55D-F10	1	R62
107	107		7421435-00	MTG BRKT	1	
108	108		9009052-00	*** THIS ITEM IS NOT USED ***	-	
109	109		7422045-00	CAPACITOR STRAP	2	
110	110		9009708-00	SCREW,PAN,PHIL,TAP'G 6-32X	8	
111	111		9009617-00	TIE,CABLE BUNDL.DIA 0-3"TYPE=101	2	
112	112		9007035-00	GROMMET #122-37-1500	A/R	
113	113		9006070-01	SCREW,PAN,PHIL 10-32X 5/16 SS	2	
114	114		9007906-00	WASHER, LOCK S.S. #10	2	
115	115		9009243-00	*** THIS ITEM IS NOT USED ***	-	
116	116		9006024-01	SCREW,PAN,PHIL 6-32X 1/2 SS	1	
117	117		9009769-00	WASHER, RECTANGULAR .405X.225X.0	1	
118	118		9006011-01	SCREW,PAN,PHIL 4-40X 3/8 SS	1	
119	119		9006688-00	WASHER, LOCK, S.S. #4	1	
120	120		9006556-00	NUT,HEX , 4-40X1/4 AF X 3/	1	
121	121		9008268-00	COMPOUND, THERMAL JOINT	A/R	
122	122		9007201-00	TRANSIPADS #10253	1	
123	123		9105740-55	WIRE(WRAP)30AWG UL1423	A/R	
124	124		9007036-00	GROMMET #122-37-2500	A/R	
125	125		1314516-00	200.0 K .25 W 5.0 % CC	1	R53

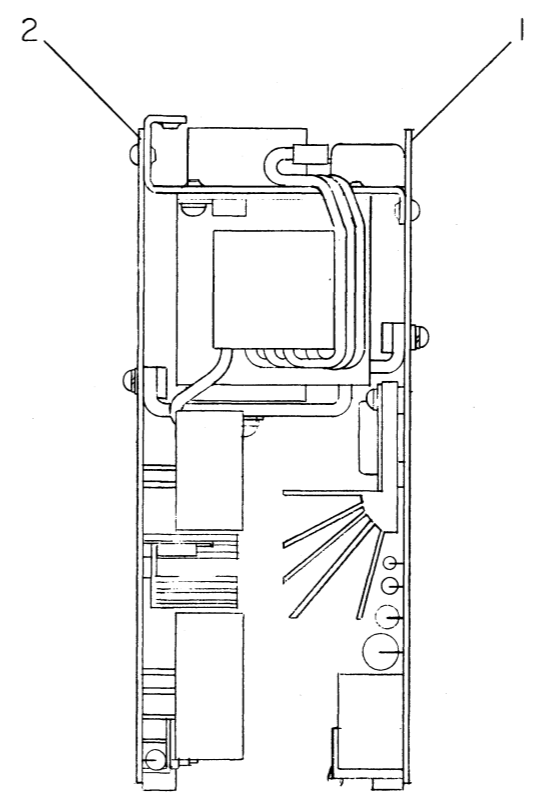
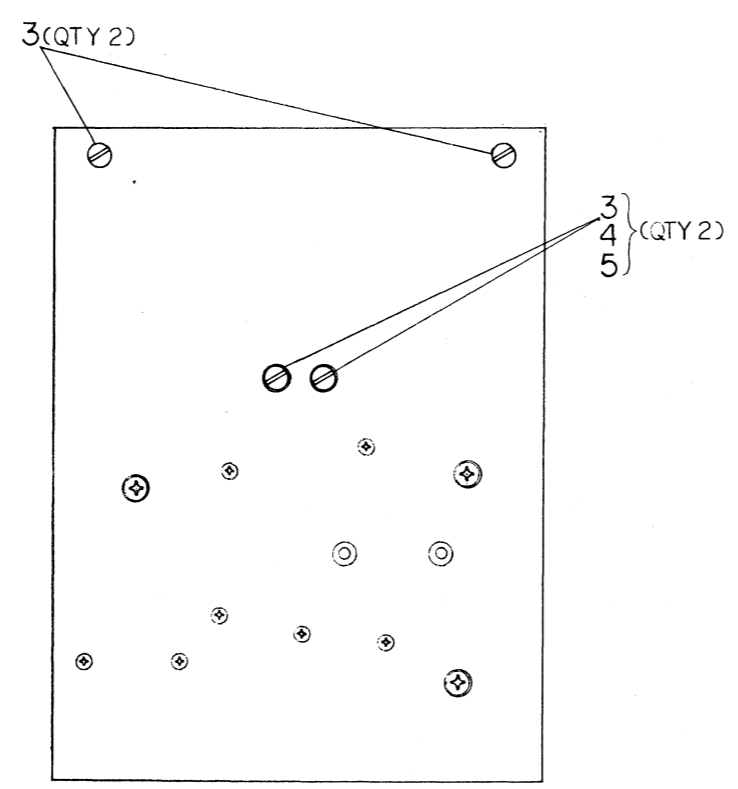
D	I	G	I	T	A	L	TITLE	SECTION A	OF A	SIZE	CODE	DOCUMENT NUMBER	REV
							MEMORY INVERTER			K	PL	5413603-0-DBP	D

LINE ITEM	DOCUMENT NUMBER	PART NUMBER	DESCRIPTION	QTY PER VARIATION 00	REFERENCE DESIGNATOR
126	126	9009157-00	ADH, LIQ. RM. TEMP CURING COLORLESS	A/R	
127	127	9107256-11	TUBING, THIN WALL, .027ID UL	A/R	
128	128	7016920-00	JUMPER ASSY	1	
129	129	9107560-01	WIRE, BUSS, 22AWG	A/R	
130	130	9006565-00	NUT, KEP , 10-32X 3/8 AF	1	
131	131	5413882-00	SNV SNUBBER	1	
132	132	9007853-01	SCREW, PAN, PHIL 6-32X1-1/8 SS	2	
133	133	9006803-00	SPACER, HEX, ALUM, .138 ID X .5	2	

- 134 NOTE: ITEM #123; .52' IS USED.
- 135 NOTE: ITEM #124; .08' IS USED.
- 136 NOTE: ITEM #127; .56' IS USED.
- 137 NOTE: ITEM #129; .37' IS USED.

D	I	G	I	T	A	L	TITLE	SECTION A OF A	SIZE	CODE	DOCUMENT NUMBER	REV
							MEMORY INVERTER		K	PL	5413603-0-DBP	D

"THIS DRAWING AND SPECIFICATIONS, HEREIN, ARE THE PROPERTY OF DIGITAL EQUIPMENT CORPORATION AND SHALL NOT BE REPRODUCED OR COPIED OR USED IN WHOLE OR IN PART AS THE BASIS FOR THE MANUFACTURE OR SALE OF ITEMS WITHOUT WRITTEN PERMISSION. COPYRIGHT © 1979, DIGITAL EQUIPMENT CORPORATION"



QTY	DESCRIPTION	DWG./PART NO.	ITEM NO.
2	WASHER, FLAT #6	9006656-00	5
2	WASHER, LOCK, S.S. #6	9007801-00	4
4	SCREW, PAN HD, SELF TAP #6-32 X .31 LG	9009708-00	3
1	MEMORY REGULATOR BOARD	5413607-00	2
1	MEMORY INVERTER BOARD	5413603-00	1

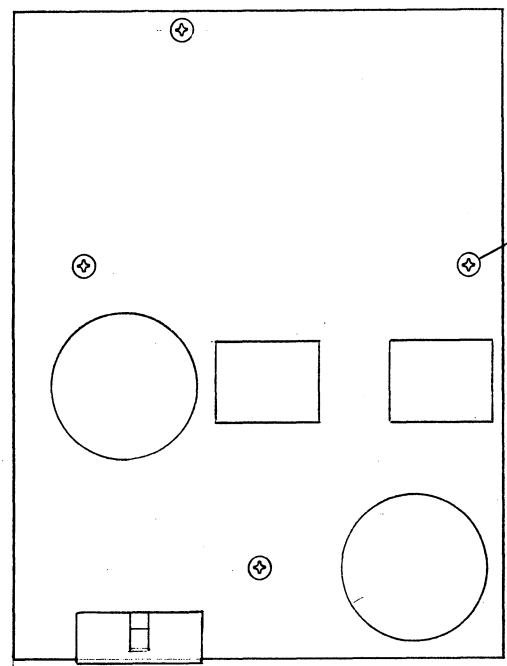
UNLESS OTHERWISE SPECIFIED DIMENSIONS ARE IN INCHES	
ANGLES 90° 30'	CLASS OF ACCURACY
SURFACE QUALITY	IN
QUANTITY & VARIATION	MICROINCHES

THIRD ANGLE PROJECTION	DRN. <i>A. Morrow</i> 6-6-79	FIRST USED ON H7140
REMOVE BURRS AND BREAK SHARP CORNERS	CHK'D <i>[Signature]</i> 12/4/79	TITLE H7140
DO NOT SCALE DWG	ENGR. <i>[Signature]</i> 12/4/79	MEMORY VOLTAGE ASSY
MATERIAL SEE PARTS LIST	PROD. <i>[Signature]</i> 12/4/79	SIZE CODE D
FINISH <i>H</i>	NEXT HIGHER ASSY.	NUMBER 7016050-0-0
		REV. *

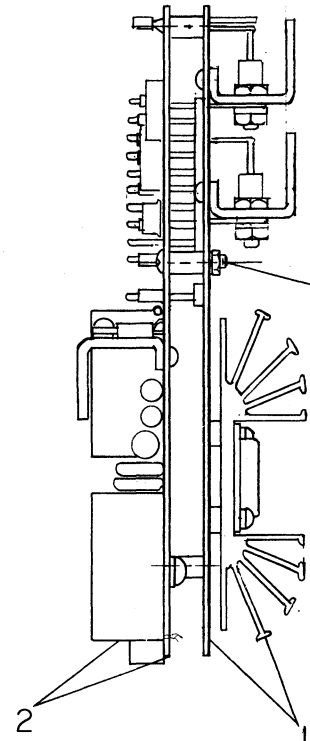
REVISIONS	REV.
CHANGE NO.	
CHK	

THIS DRAWING AND SPECIFICATIONS, HEREIN, ARE THE PROPERTY OF DIGITAL EQUIPMENT CORPORATION AND SHALL NOT BE REPRODUCED OR COPIED OR USED IN WHOLE OR IN PART AS THE BASIS FOR THE MANUFACTURE OR SALE OF ITEMS WITHOUT WRITTEN PERMISSION.
 COPYRIGHT © 1979, DIGITAL EQUIPMENT CORPORATION

AD 7016057-0-0 2



4
3
3
0 } QTY 4



4
3
3
0 } REF

QTY	DESCRIPTION	DWG./PART NO.	ITEM NO.
4	NUT, HEX #6-32X.25 A.F	9008957-00	6
4	WASHER, LOCK, SS. #6	9007801-00	5
4	SCR, PHIL PAN HD #6-32X.69LG	9007794-01	4
4	SPACER, HEX, ALUM #6-32X.38LG	9006844-00	3
1	LOGIC INVERTER CONT BD	5413601-00	2
1	LOGIC INVERTER BD	5413599-00	1

ANGLES ±30°	CLASS OF ACCURACY	NOMINAL DIMENSION RANGE INCHES				
		OVER 0 TO 0.25	OVER 0.25 TO 1.25	OVER 1.25 TO 4.0	OVER 4.0 TO 12.0	OVER 12.0 TO 40.0
SURFACE QUALITY IN	(CHECK ONE)	±.004	±.008	±.012	±.018	±.024
	MEDIUM	±.004	±.008	±.012	±.018	±.024
QUANTITY & VARIATION		MICROINCHES				
		PREFERRED	±.012	±.018	±.028	±.04

THIRD ANGLE PROJECTION

REMOVE BURRS AND BREAK SHARP CORNERS

DO NOT SCALE DWG

MATERIAL SEE PARTS LIST

FINISH

DRN. *A. Mayberry* 6-5-79

CHK'D *[Signature]* 12-9-79

ENG. *[Signature]* 12/11/79

PROJ. ENG. *[Signature]* 12/11/79

PROD. *[Signature]* 12/11/79

NEXT HIGHER ASSY.

B-00-H7140-0-0

SCALE NONE

SHEET 1 OF 1

FIRST USED ON H7140

TITLE H7140 +5V INVERTER ASSY

SIZE CODE D

NUMBER AD 7016057-0-0

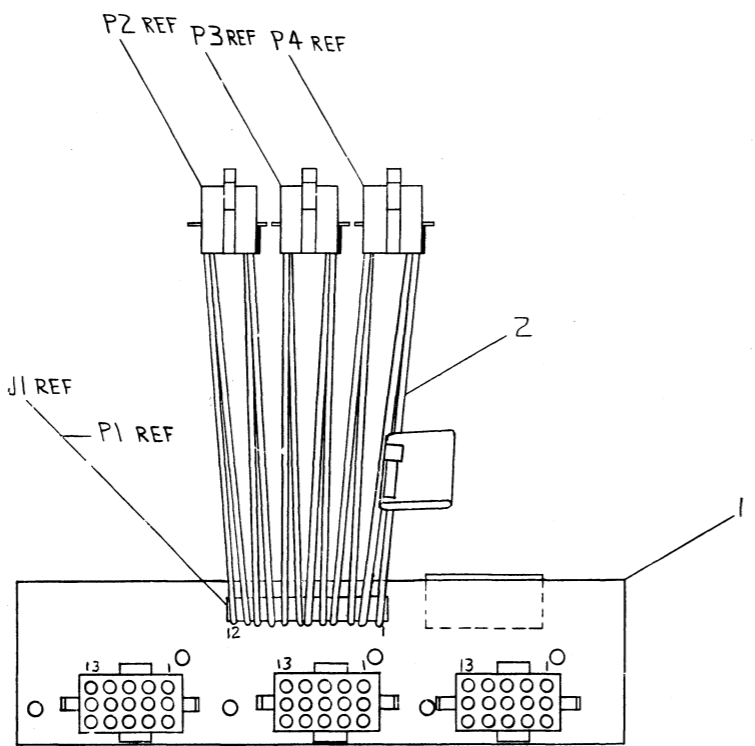
REV. *

REV.	CHANGE NO.

AD 7016057-0-0

"THIS DRAWING AND SPECIFICATIONS, HEREIN, ARE THE PROPERTY OF DIGITAL EQUIPMENT CORPORATION. THEY SHALL NOT BE REPRODUCED OR COPIED IN ANY MANNER OR IN ANY MEDIUM WITHOUT THE WRITTEN PERMISSION OF DIGITAL EQUIPMENT CORPORATION. COPYRIGHT © 1979, DIGITAL EQUIPMENT CORPORATION"

REV. 0-0-8889102 DVA 2



1	CABLE JUMPER ASSY	D-1A-7016887-00	2
1	POWER DIST. BOARD	D-UA-5413632-0-0	1

DESCRIPTION		DWG./PART NO.	ITEM NO.
UNLESS OTHERWISE SPECIFIED DIMENSIONS ARE IN INCHES			
ANGLES ±0° 30'	CLASS OF ACCURACY	NOMINAL DIMENSION RANGE INCHES	
SURFACE QUALITY IN	(CHECK ONE)	OVER 0 TO 0.2	OVER 0.2 TO 1.2
MEDIUM	<input type="checkbox"/>	OVER 1.2 TO 4.0	OVER 4.0 TO 12.0
PREFERRED	<input checked="" type="checkbox"/>	OVER 12.0 TO 40.0	OVER 40.0 TO 80.0
MICROINCHES		±.004	±.008
		±.012	±.016
		±.025	±.04
		±.063	±.1

THIRD ANGLE PROJECTION	DRN. John Doyle 12/24/79	FIRST USED ON	BAN-A digital
REMOVE BURRS AND BREAK SHARP CORNERS	CHK'D: [Signature] 7 MAY 79	TITLE	POWER DISTRIBUTION BOARD ASSY
DO NOT SCALE DWG	ENG. P. [Signature] 9 MAY 79	PROJ. ENG. [Signature] 14/2/79	
MATERIAL	E-UA-BAN-R-0	SIZE CODE	D
FINISH	SCALE 1:1	NUMBER	7016888-0-0
	SHEET 1 OF 1	REV.	*

REV.	
CHANGE NO.	
CHK	

DEC FORM NO. 287 100-C

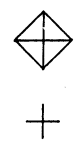
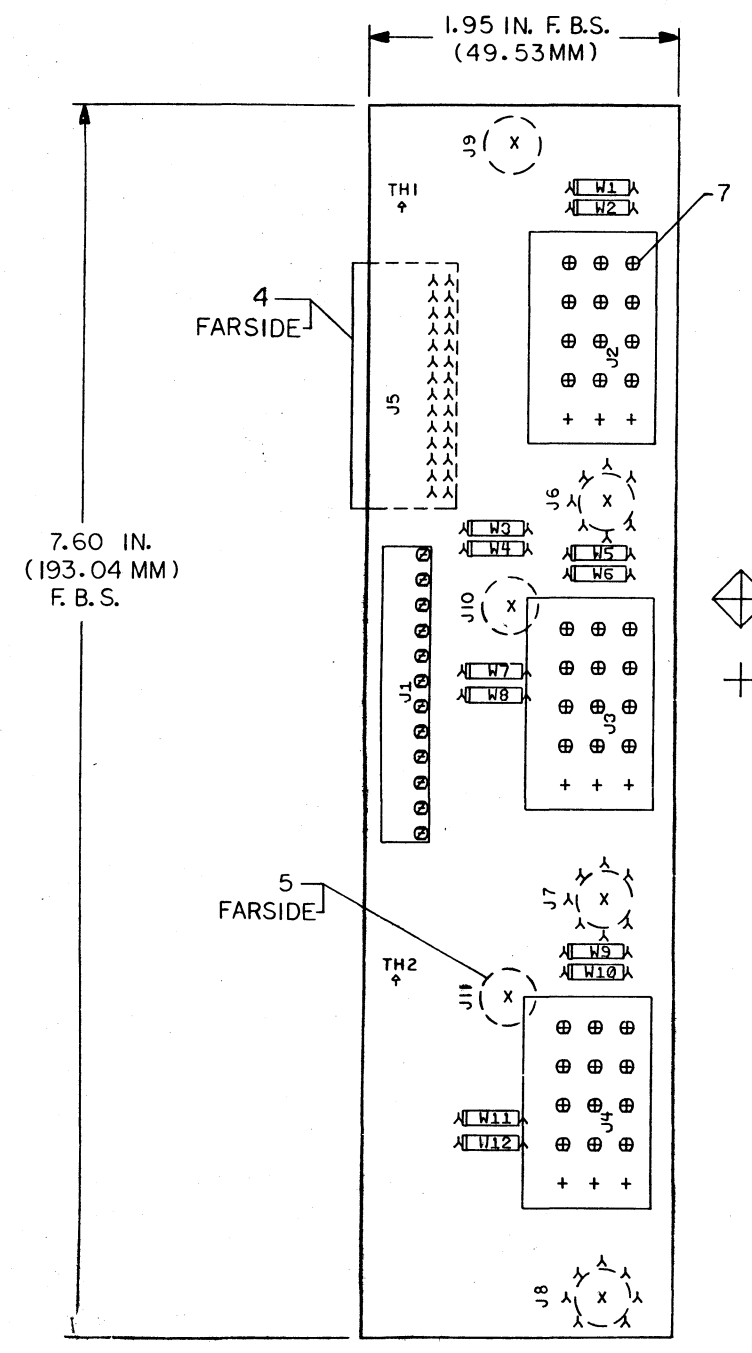
8 7 6 5 4 3 2 1

8 7 6 5 4 3 2 1

REV. 0-0-8889102 DVA 2

THIS DRAWING AND SPECIFICATIONS, IN WHOLE OR IN PART, ARE THE PROPERTY OF DIGITAL EQUIPMENT CORPORATION AND SHALL REMAIN THE PROPERTY OF DIGITAL EQUIPMENT CORPORATION IN WHOLE OR IN PART, EVEN IF FURNISHED TO YOU UNDER A LICENSE OR SALE OF THE DIGITAL EQUIPMENT CORPORATION. © 1979 DIGITAL EQUIPMENT CORPORATION

COMPONENT SIDE VIEW



NOTES:
 1. ITEM 4 (J5) MOUNT ON SIDE 2.
 2. ITEM 5 MOUNT ON SIDE 2.

STEP 4 → Y AXIS 0.000 STEP 0 TIMES
 REPEAT → X AXIS 2.000 STEP 4 TIMES

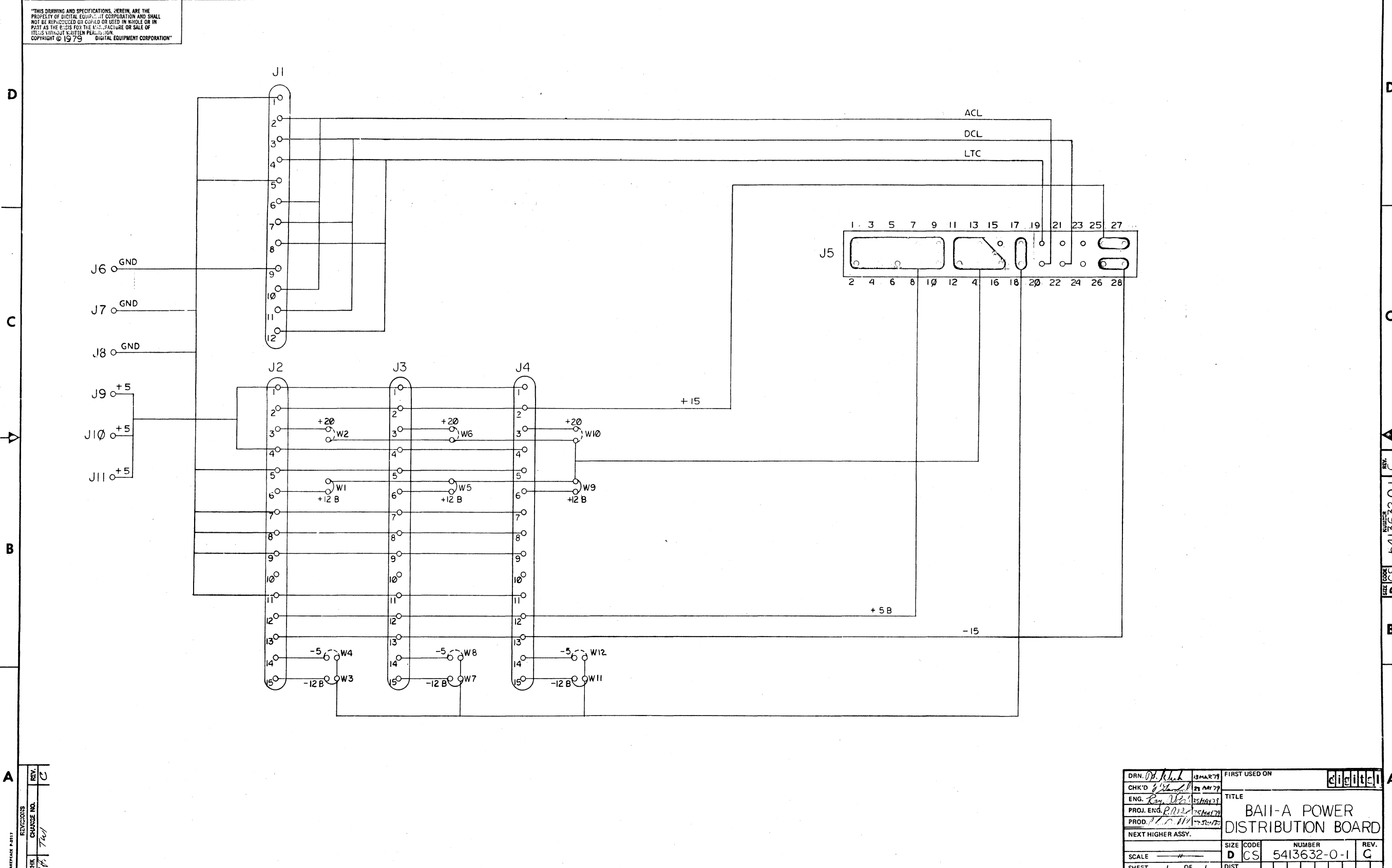
CHK CHANGE NO	REV
	C

ETCH REV.	D-PI

SIGNATURES		DATE	digital
DRN. P. ...		10-24-79	
CHK'D. S. T. ...		12-13-79	TITLE BAIL A POWER DISTRIBUTION
M. CH. ENG. ...		11-22-79	
PROD. ENG. ...		11-22-79	SIZE CODE NUMBER REV D UA 5413632-0-0 C
PROD. ...		11-22-79	
SCALE 2/1			
SHT. 1 OF 1			
NEXT HIGHER ESSY. D-DD-5413632-0			

"THIS DRAWING AND SPECIFICATIONS, HEREIN, ARE THE PROPERTY OF DIGITAL EQUIPMENT CORPORATION AND SHALL NOT BE REPRODUCED OR COPIED OR USED IN WHOLE OR IN PART AS THE BASIS FOR THE MANUFACTURE OR SALE OF ITEMS WITHOUT WRITTEN PERMISSION.
 COPYRIGHT © 1979 DIGITAL EQUIPMENT CORPORATION"

REV. C
 DCS 5413632-0-1
 SECTION 2

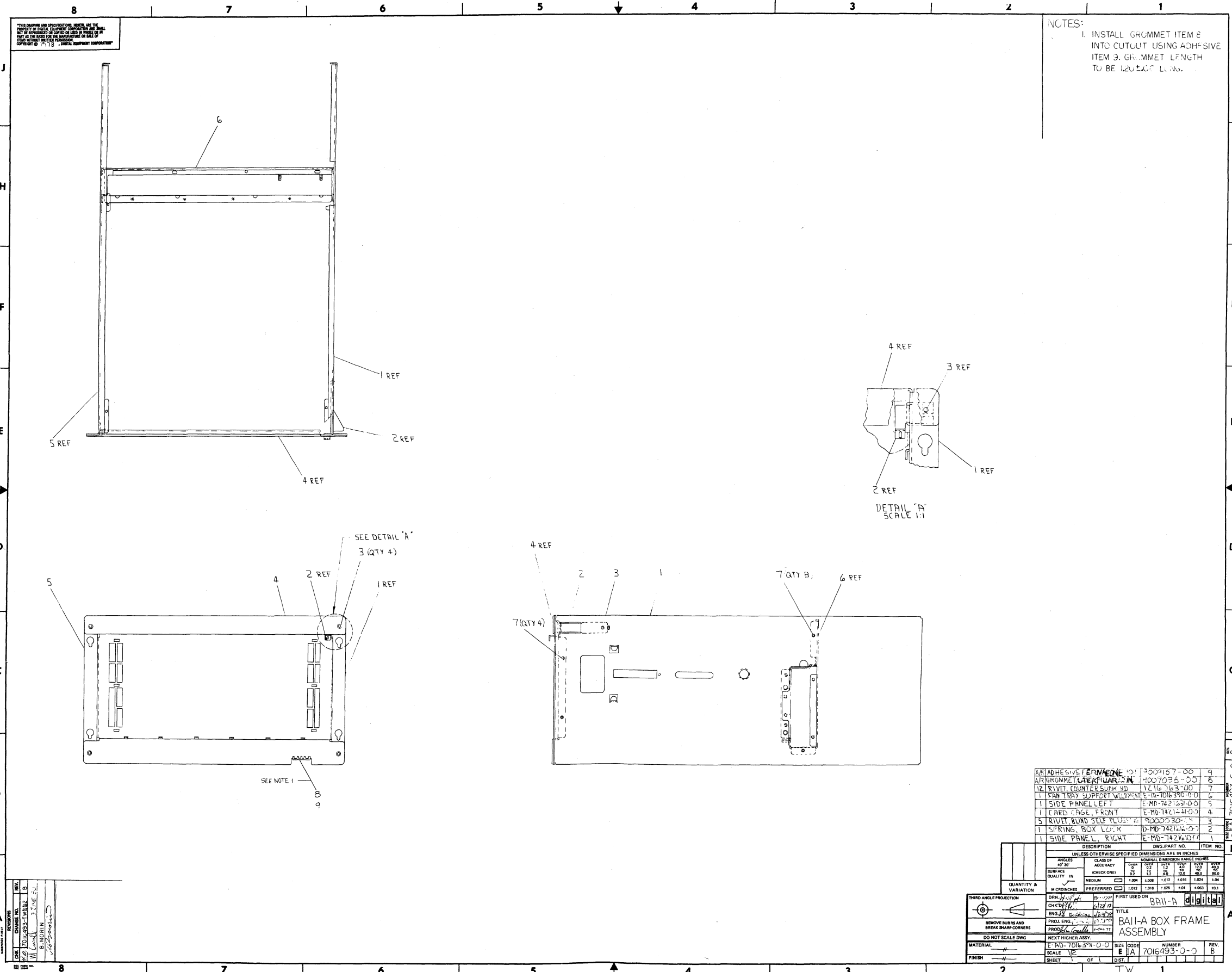


MAINTENANCE P-3817	REVISIONS	REV. C
CHK	CHANGE NO.	

DRN. <i>D. H. Clark</i>	13 MAR 79	FIRST USED ON	digital
CHK'D <i>[Signature]</i>	23 MAY 79	TITLE	BALI-A POWER DISTRIBUTION BOARD
ENG. <i>[Signature]</i>	25 MAY 79	SIZE	D CS
PROJ. ENG. <i>[Signature]</i>	25 MAY 79	NUMBER	5413632-0-1
PROD. <i>[Signature]</i>	27 JUN 79	REV.	G
NEXT HIGHER ASSY.		DIST.	
SCALE			
SHEET 1 OF 1			

REV. C
 DCS 5413632-0-1

TW 1



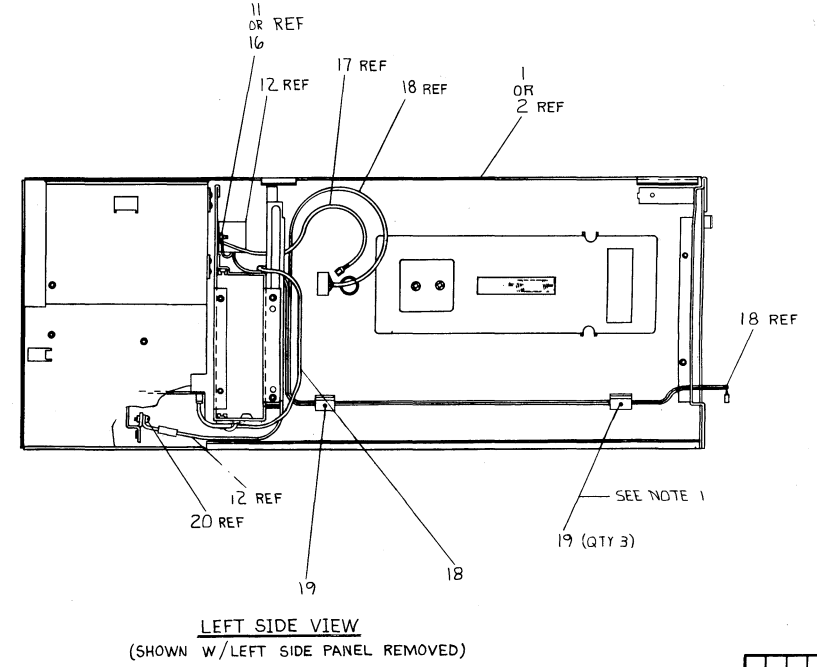
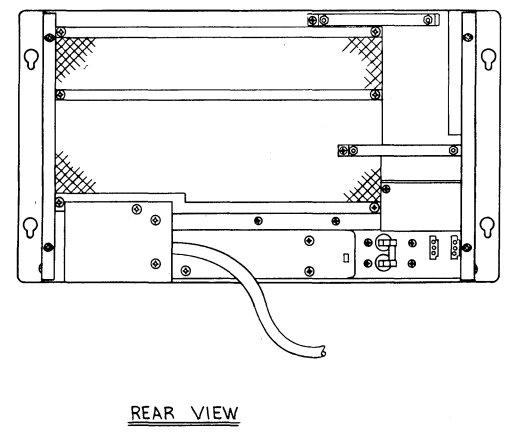
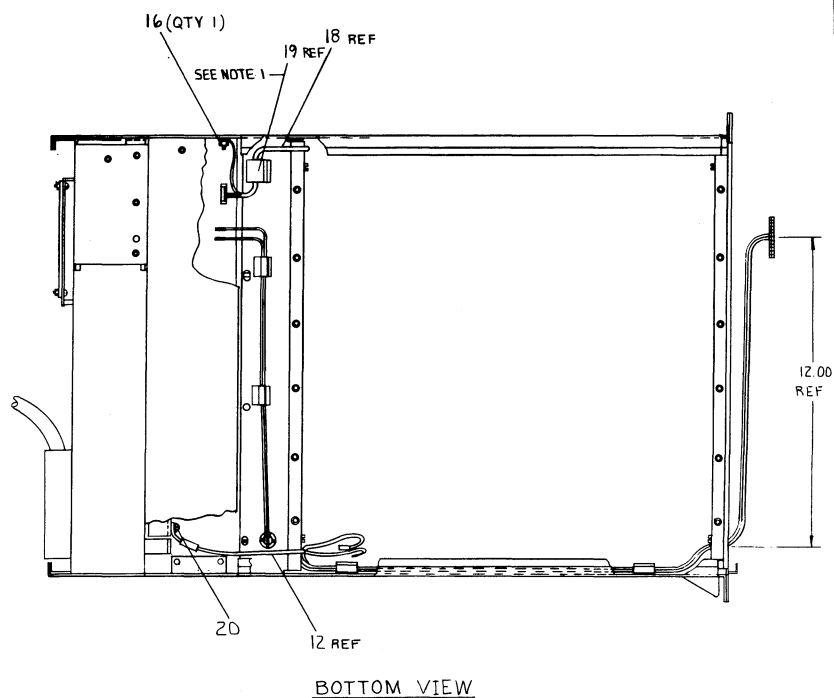
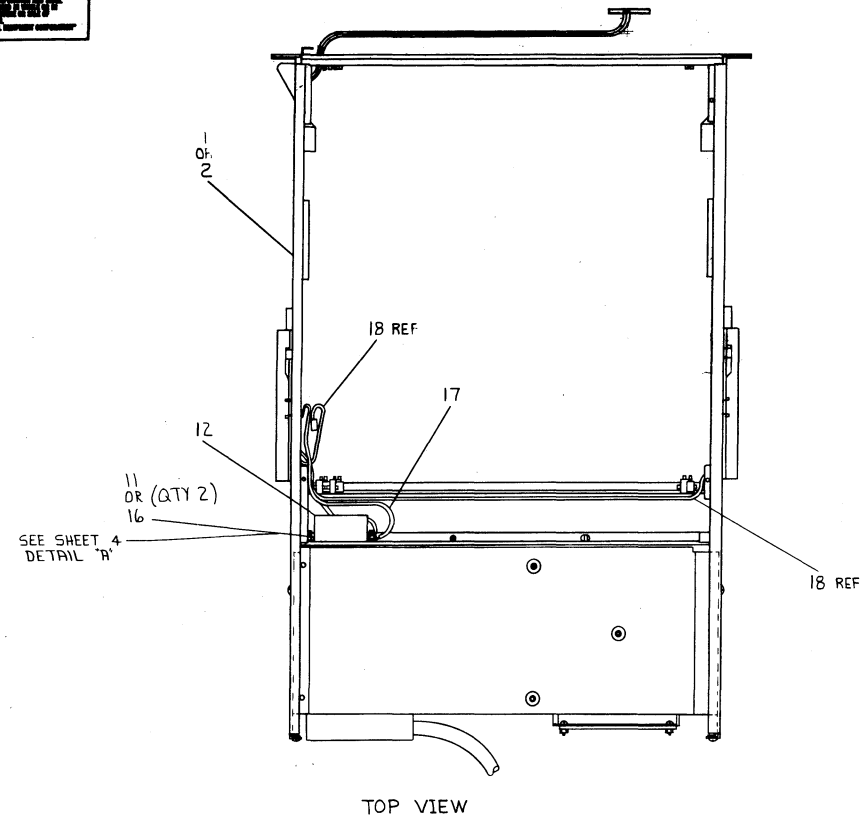
REV	DATE	BY	CHKD
B	10/14/93	TANAKI	B
A	10/14/93	W. GARDNER	B
		B. MORIN	

DESCRIPTION	DWG. PART NO.	ITEM NO.
ADHESIVE TAPE	3504137-00	9
GR0MMET LATERAL	4007035-00	8
RIVET COUNTERSUNK HD	1216363-00	7
FAN TRAY SUPPORT W/DRUM	E-MD-7016370-00	6
SIDE PANEL LEFT	E-MD-742129-00	5
CARD EDGE FRONT	E-MD-742141-00	4
RIVET BLIND SELF PLUSH	7000050-00	3
SPRING BOX LOCK	D-MD-742166-00	2
SIDE PANEL RIGHT	E-MD-742160-00	1

UNLESS OTHERWISE SPECIFIED DIMENSIONS ARE IN INCHES			
ANGLES	CLASS OF ACCURACY	TOLERANCE RANGES	
UP TO 90°	CHECK ONE	FEEL	SEEK
SURFACE QUALITY	IN	1.00	1.00
QUANTITY & VARIATION	MICROMETRES	1.012	1.016
THIRD ANGLE PROJECTION	DRN	8-11-93	FIRST USED ON
REMOVE BURRS AND BREAK SHARP CORNERS	CHKD	10/14/93	BAII-A
DO NOT SCALE DWG	PROJ. ENG.	10/14/93	TITLE
MATERIAL	FINISH		BAII-A BOX FRAME ASSEMBLY
			REV. B
			SCALE 1/2"
			SIZE CODE
			NUMBER
			7016493-0-0
			REV. B
			1
			1

1375

NOTES
1: LOCATE APPROX AS SHOWN.



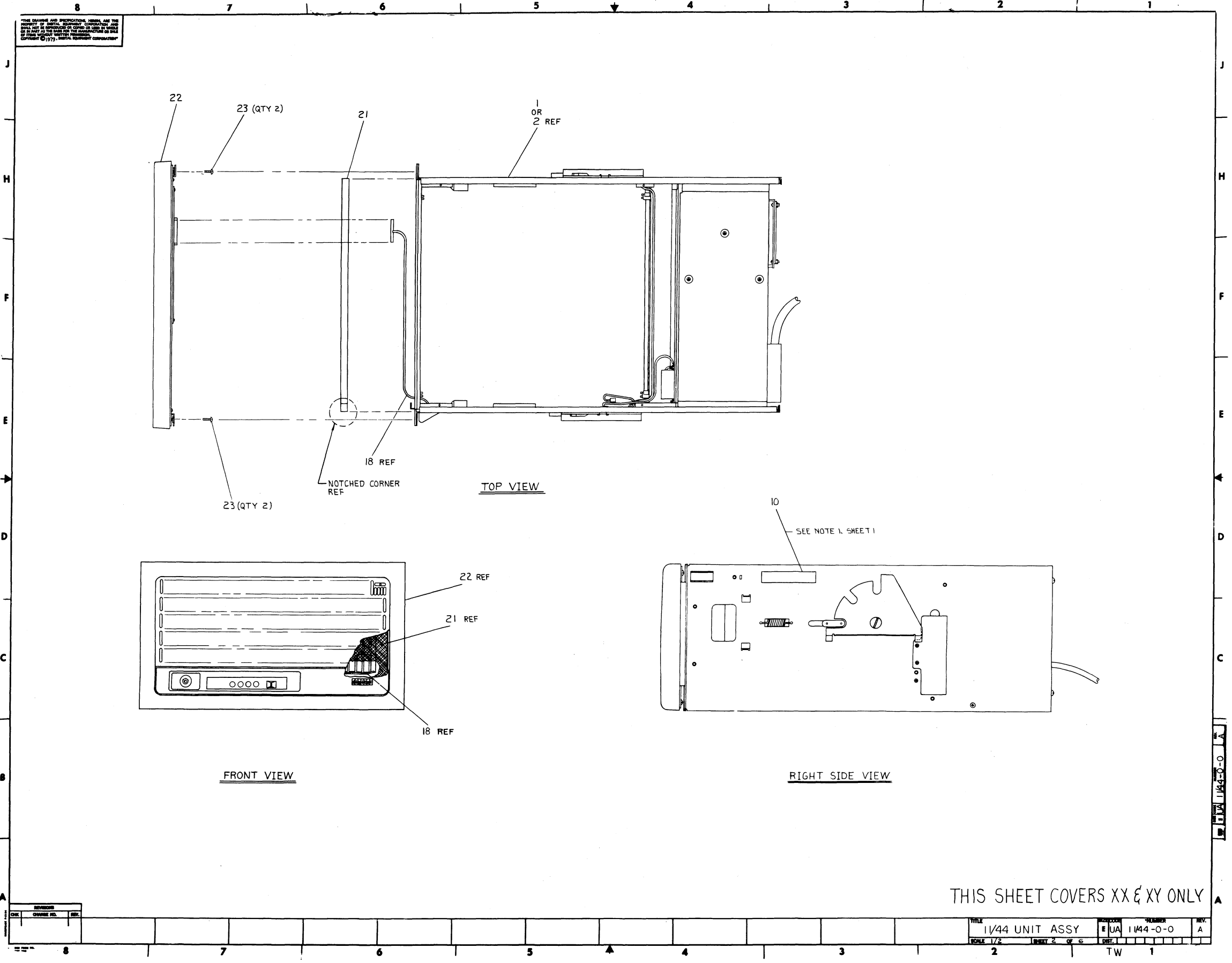
THIS SHEET COVERS XX & XY ONLY

SEE C-PL-1144-0-0
FOR PARTS LIST

REV	DATE	BY	CHKD
1			
2			
3			

DESCRIPTION		DWG. PART NO.	ITEM NO.
UNLESS OTHERWISE SPECIFIED DIMENSIONS ARE IN INCHES			
ANGLE	±.005		
SIZE OF	±.005		
ACCURACY	±.005		
FINISH	±.005		
QUALITY	±.005		
IN	±.005		
MICROMETERS	±.005		
QUANTITY & VARIATION			
DRN	11/44		
CHKD			
ENG			
PROL. ENGR.			
PROD.			
NEXT HIGHER ASSY.			
MATERIAL	B-DD-1144-0-0	SIZE CODE	
SCALE	1/2	NUMBER	1144-0-0
FINISH		SHEET	1 OF 6
		TW	1

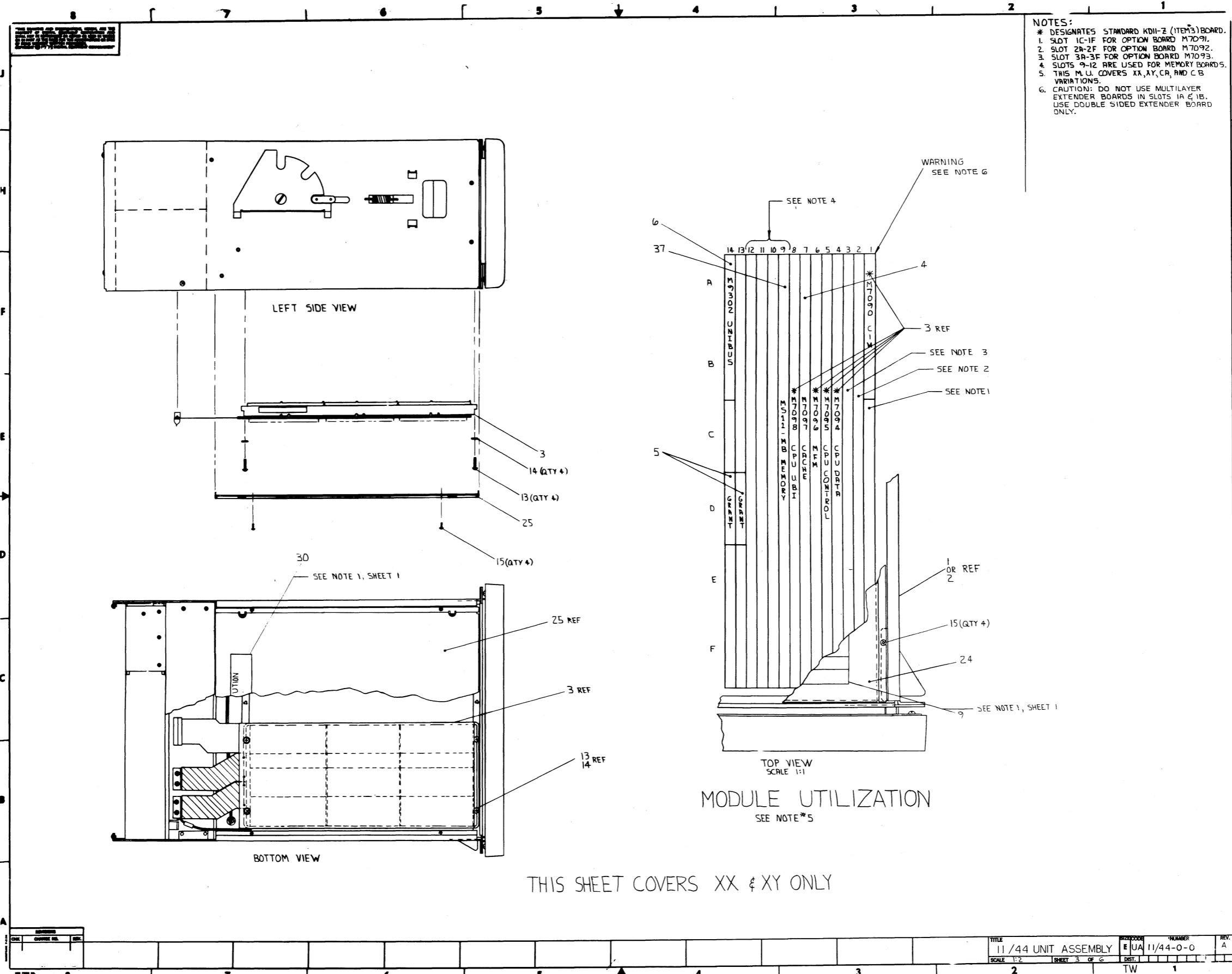
THIS DRAWING AND SPECIFICATION, HEREIN, ARE THE PROPERTY OF AERIAL EQUIPMENT CORPORATION AND SHALL NOT BE REPRODUCED OR TRANSMITTED IN ANY FORM OR BY ANY MEANS, ELECTRONIC OR MECHANICAL, INCLUDING PHOTOCOPYING, RECORDING, OR BY ANY INFORMATION STORAGE AND RETRIEVAL SYSTEM, WITHOUT THE WRITTEN PERMISSION OF AERIAL EQUIPMENT CORPORATION. ©1975, AERIAL EQUIPMENT CORPORATION.



THIS SHEET COVERS XX & XY ONLY

REV.	DESCRIPTION	DATE

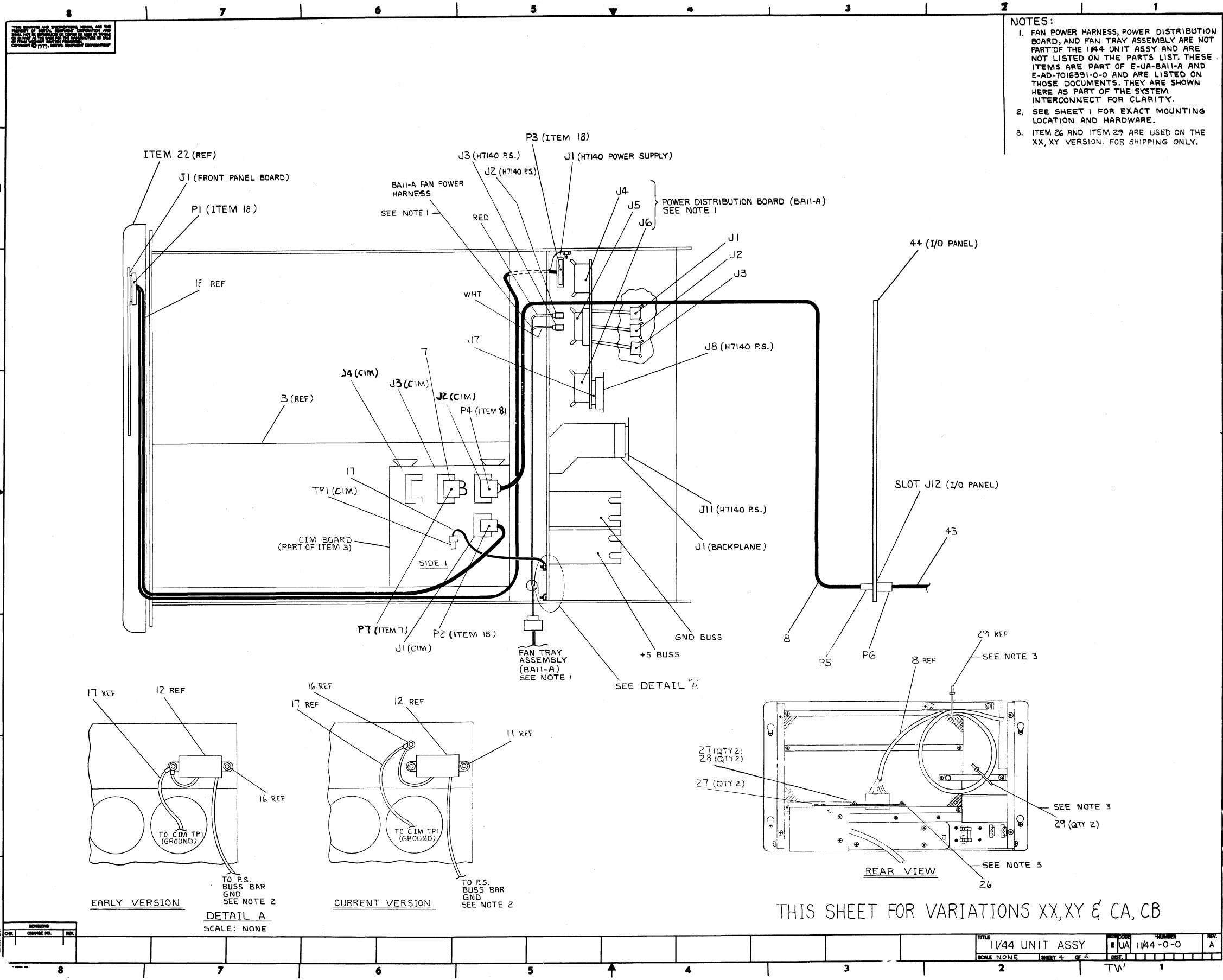
TITLE	1/44 UNIT ASSY	DESIGNER	EUA	NUMBER	1/44-0-0	REV.	A
SCALE	1/2	SHEET	2	OF	6	DATE	
		TW	1				



NOTES:
 * DESIGNATES STANDARD KDII-Z (ITEM 3) BOARD.
 1. SLOT 1C-1F FOR OPTION BOARD M7D91.
 2. SLOT 2A-2F FOR OPTION BOARD M7D92.
 3. SLOT 3A-3F FOR OPTION BOARD M7D93.
 4. SLOTS 9-12 ARE USED FOR MEMORY BOARDS.
 5. THIS M.U. COVERS XX, XY, CR, AND C.B. VARIATIONS.
 6. CAUTION: DO NOT USE MULTILAYER EXTENDER BOARDS IN SLOTS 1A & 1B. USE DOUBLE SIDED EXTENDER BOARD ONLY.

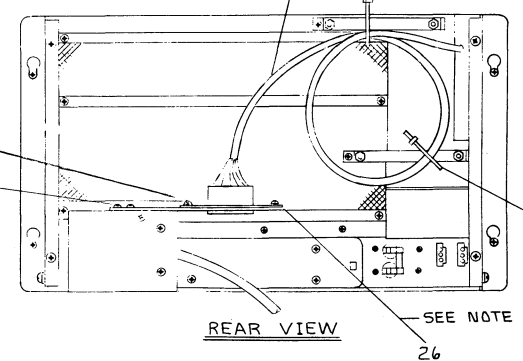
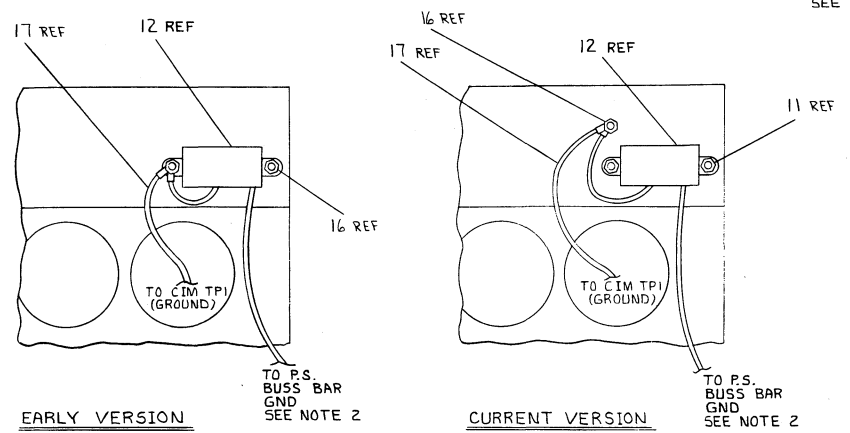
THIS SHEET COVERS XX & XY ONLY

REV. A		EUA		11/44-0-0		11/44 UNIT ASSEMBLY		SCALE 1:2		SHEET 3 OF 6		DIST. I		TW	
--------	--	-----	--	-----------	--	---------------------	--	-----------	--	--------------	--	---------	--	----	--



NOTES:

1. FAN POWER HARNESS, POWER DISTRIBUTION BOARD, AND FAN TRAY ASSEMBLY ARE NOT PART OF THE 1144 UNIT ASSY AND ARE NOT LISTED ON THE PARTS LIST. THESE ITEMS ARE PART OF E-1A-B111-A AND E-AD-1016991-0-0 AND ARE LISTED ON THOSE DOCUMENTS. THEY ARE SHOWN HERE AS PART OF THE SYSTEM INTERCONNECT FOR CLARITY.
2. SEE SHEET 1 FOR EXACT MOUNTING LOCATION AND HARDWARE.
3. ITEM 26 AND ITEM 29 ARE USED ON THE XX,XY VERSION. FOR SHIPPING ONLY.

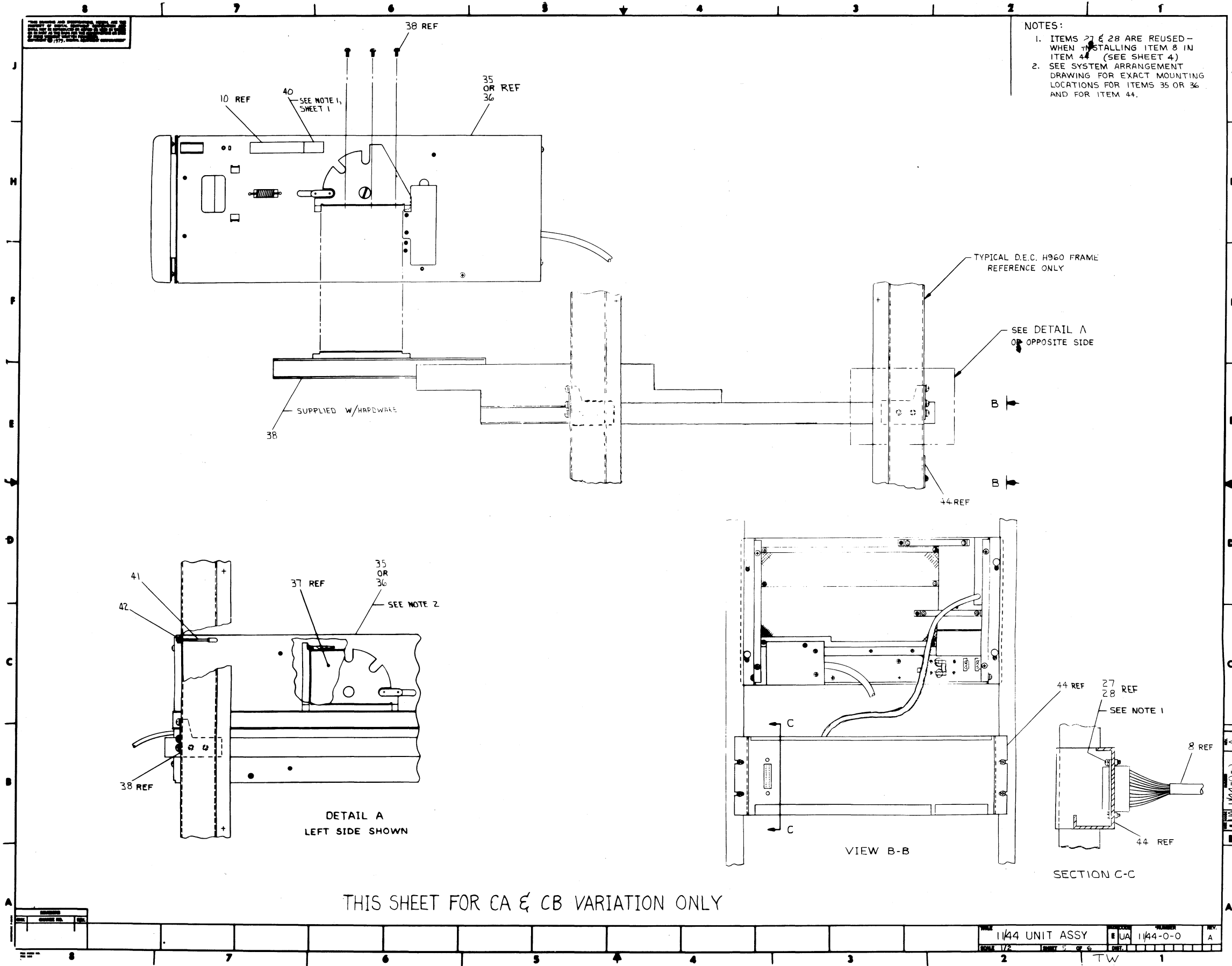


THIS SHEET FOR VARIATIONS XX,XY & CA, CB

REV.	DESCRIPTION	DATE	BY	CHK.	CHANGE NO.
1	INITIAL				

1	2	3	4	5	6	7	8
1	2	3	4	5	6	7	8

TITLE	1144 UNIT ASSY	SCALE	NONE	SHEET	4	OF	6
REV.	A	DATE	11/44-0-0	BY	UA	CHK.	TW



NOTES:
 1. ITEMS 27 & 28 ARE REUSED—
 WHEN INSTALLING ITEM 8 IN
 ITEM 44 (SEE SHEET 4)
 2. SEE SYSTEM ARRANGEMENT
 DRAWING FOR EXACT MOUNTING
 LOCATIONS FOR ITEMS 35 OR 36
 AND FOR ITEM 44.

10 REF
 40 SEE NOTE 1,
 SHEET 1
 38 REF
 35
 OR
 36

TYPICAL D.E.C. H960 FRAME
 REFERENCE ONLY

SEE DETAIL A
 OF OPPOSITE SIDE

SUPPLIED W/HARDWARE

41
 42
 37 REF
 35
 OR
 36
 SEE NOTE 2

DETAIL A
 LEFT SIDE SHOWN

VIEW B-B

44 REF
 27
 28
 SEE NOTE 1
 8 REF
 44 REF

SECTION C-C

THIS SHEET FOR CA & CB VARIATION ONLY

1144 UNIT ASSY	UA	1144-0-0	A
SCALE 1/2	REV 5 OF 6	TW	1

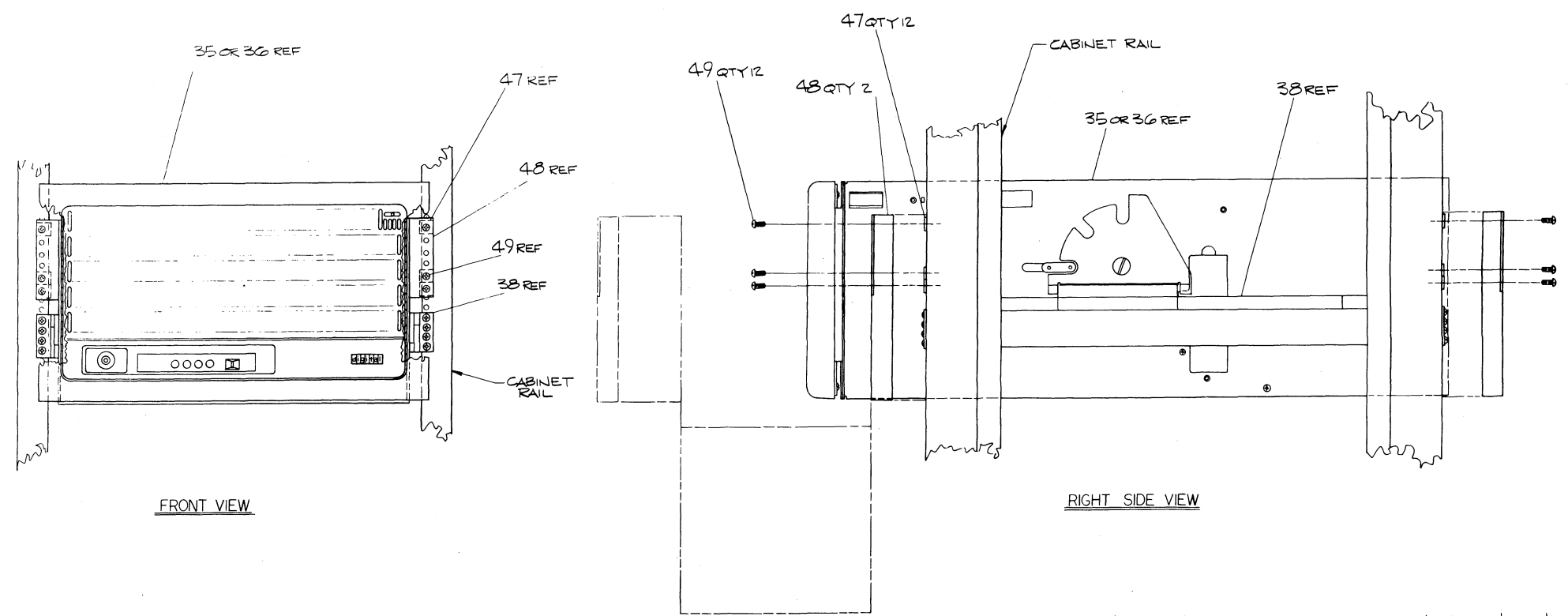
THIS DRAWING AND SPECIFICATIONS HEREAFTER ARE THE PROPERTY OF DIGITAL EQUIPMENT CORPORATION AND SHALL NOT BE REPRODUCED OR COPIED IN ANY MANNER OR IN ANY MANNER FOR THE MANUFACTURE OR SALE OF THIS EQUIPMENT WITHOUT WRITTEN PERMISSION. COPYRIGHT © 1980 DIGITAL EQUIPMENT CORPORATION.

0-0-22/11

SLIDE SHIPPING BRACKET INSTALLATION

1. INSURE THAT ALL NEEDED INSTALLATION MATERIAL AND EQUIPMENT IS AVAILABLE BEFORE ATTEMPTING INSTALLATION OF SHIPPING BRACKETS.
 2. THE FOLLOWING IS SUPPLIED AS PART OF THE 11/44-CA, CB.

ITEM NO.	QTY	DESCRIPTION
4-B	2	SLIDE SHIPPING BRACKETS
4-7	12	10-32 TINNEMAN NUTS
4-9	12	10-32 x 41 PHIL TRUSS HD SCREW
4-1	1	BOX RETAINING SHIP. BRACKET
4-2	1	10-32 KEPT NUT
 3. A #2 PHILLIPS SCREW DRIVER IN EXCESS OF 8" IN LENGTH IS REQUIRED FOR INSTALLATION.
 4. IT IS RECOMMENDED THAT TWO PEOPLE TAKE PART IN THE INSTALLATION.
 5. TAKE ONE SLIDE SHIPPING BRACKET AND PULL 11/44 BOX OUT OF CABINET ABOUT 4". SLIP BRACKET UP UNDERNEATH THE FRONT OF THE BOX, LOOKING TO THE RIGHT HAND SIDE OF THE BRACKET, MARK AT LEAST 3 HOLES THAT ALIGN WITH THE SHIPPING BRACKET MOUNTING HOLES.
 6. REMOVE SHIPPING BRACKET AND INSERT 3 TINNEMAN NUTS IN HOLES MARKED ON RIGHT HAND SIDE.
 7. REPEAT STEP 5 & 6 FOR THE FRONT LEFT HAND SIDE.
 8. MOUNT FRONT SHIPPING BRACKET USING 6, 10-32 SCREWS (3 ON EITHER SIDE) TO ACCOMPLISH THIS MOUNT RIGHT HAND SIDE FIRST AND THEN LEFT HAND SIDE. NOTE: UPWARD TENSION ON THE 11/44 MAY BE REQUIRED TO MOUNT THE SECOND SIDE (A SECOND PERSON MAY BE NEEDED TO ACCOMPLISH THIS.)
 9. PUSH BOX IN SO THE BOX LOCK CATCHES ON THE FRONT CABINET RAIL.
 10. INSTALL BOX RETAINING SHIPPING BRACKET (1 BOLT) IN REAR OF CAB, HOOKING IT THROUGH THE BOX AND EXTENDING THREADED END THROUGH THE CAB RAIL, THEN INSERTING THE 10-32 KEPT NUT AS SHOWN ON SHEET 5 OF 6.
 11. TAKE THE SECOND SLIDE SHIPPING BRACKET AND SLIP IT UP UNDERNEATH THE BACK OF THE BOX, LOOKING TO THE RIGHT HAND SIDE, MARK AT LEAST 3 HOLES THAT ALIGN WITH THE SHIPPING BRACKET. NOTE: TO ACCOMPLISH THIS A SECOND PERSON MAY BE NEEDED TO LIFT THE REAR OF THE BOX SO THE HOLES WILL ALIGN.
 12. LOWER SLIDE SHIPPING BRACKET AND MARK THE LEFT HAND SIDE AS PREVIOUSLY STATED IN STEP 11
 13. NOW INSTALL 6 TINNEMAN NUTS (3 ON EITHER SIDE) IN HOLES MARKED
 14. MOUNT REAR SLIDE SHIPPING BRACKET, USING 6, 10-32 SCREWS.
- NOTE: A SECOND PERSON MAY BE NEEDED TO LIFT THE REAR OF THE BOX TO ALIGN THE MOUNTING HOLES.



THIS SHEET FOR CA-CB VERSION ONLY

REVISION HISTORY		
DATE	ECO NUMBER	REV

DOCUMENT NUMBER		REV
TITLE	11/44 UNIT ASSY	A
SCALE	1:2	SHEET 6 OF 6

THIS DRAWING AND SPECIFICATIONS, HEREIN ARE THE PROPERTY OF DIGITAL EQUIPMENT CORPORATION AND SHALL NOT BE REPRODUCED OR COPIED OR USED IN WHOLE OR IN PART AS THE BASIS FOR THE MANUFACTURE OR SALE OF ITEMS WITHOUT WRITTEN PERMISSION. COPYRIGHT © 1979, DIGITAL EQUIPMENT CORPORATION			11/44-XX	11/44-XY	11/44-CF	11/44-CE
Item No.	DWG/PART NO	DESCRIPTION				
1	E-UA-BA11-A-0	BA11-AA UNIT ASSY 115 V	1	-	-	-
2	E-UA-BA11-A-0	BA11-AB UNIT ASSY 230 V	-	1	-	-
3	B-DD-KD11-Z-0	KD11-Z PROCESSOR	1	1	-	-
4	B-DD-KK11-B-0	KK11-B CACHE	1	1	-	-
5	D-UA-6727-0-1	GRANT CONTINUITY	2	2	-	-
6	D-UA-M9302-0-1	UNIBUS TERMINATOR/SACK TURNAROUND	1	1	-	-
7	C-IA-7422428-0-0	LOOP BACK CONN.	1	1	-	-
8	D-IA-BC44A-0-0	FILTERED CABLE ASSY	1	1	-	-
9	A-DC-3616928-0-0	DECAL, MODULE LAYOUT	1	1	-	-
10	A-DC-3615180-0-0	DECAL, SERIAL TAG	1	1	-	-
11	9008185-00	KEPNUT, 6-32 SPECIAL	2	2	-	-
12	C-PS-1213304-0-0	GROUND INDUCTER	1	1	-	-
13	9006040-03	SCREW, 8-32 X .625	4	4	-	-
14	9008072-00	LOCKWASHER, #8 EXTERNAL TOOTH	4	4	-	-
15	9009701-00	SCREW, SEMS 6-32 X .31	8	8	-	-
16	9006563-00	KEPNUT #8-32	3	3	-	-
17	B-IA-7422393-0-0	WIRE ASSY	1	1	-	-
18	D-AD-7016487-0-0	CIM CABLE ASSY	1	1	-	-
19	9008442-00	CABLE CLAMP	3	3	-	-
20	9009642-00	SCREW, 8-32 X .25 INTERNAL SEMS	1	1	-	-
21	1216271-00	AIR FILTER	1	1	-	-
22	E-AD-7016501-0-0	CONSOLE/BEZEL ASSY	1	1	-	-
23	9006073-03	SCREW, #10-32 X .500	4	4	-	-
24	D-MD-7421614-0-0	TOP COVER	1	1	-	-
25	D-AD-7016479-0-0	BOTTOM COVER ASSY	1	1	-	-
26	C-MD-7423068-0-0	E.I.A. SHIPPING BRACKET	1	1	-	-
27	9009708-00	SCREW, 6-32 X .312 TAPTITE	4	4	-	-
28	9007801-00	LOCKWASHER, #6 SPLIT RING	2	2	-	-
29	9007032-00	TIE WRAP	2	2	-	-
30	A-PS-3615087-0-0	DECAL "DANGER"	1	1	-	-
31						
32						
33						
34						
35	E-UA-11/44-XX	11/44 UNIT ASSY, 115 V	-	-	1	-
36	E-UA-11/44-XY	11/44 UNIT ASSY, 230 V	-	-	-	1
37	D-UA-MS11-MB-0	MS11-MB (256 KB MOS ECC) MEM BOARD	-	-	1	1
38	E-PS-1216971-0-0	SLIDE KIT (1 PAIR W/HARDWARE)	-	-	1	1
39	A-SP-3700471-0-0	PACKAGING INSTRUCTIONS (SLIDES)	-	-	ref	ref
40	A-DC-3615946-0-0	DECAL, VARIATION CHANGE	-	-	1	1
41	C-MD-7413659-0-0	SHIPPING BRACKET	-	-	1	1
42	9006565	#10-32 KEPNUT	-	-	1	1
43	D-UA-BC03M-25	NULL MODEM CABLE 25'	-	-	1	1

REV.	CHANGE NO.	DATE	BY
A	11/44-TW002	2 APE 80	J. NAGLE
			J. NAGLE

DRN. <i>11/44</i>	17/8/79	FIRST USED ON	11/44	digital
CHK'D <i>[Signature]</i>	9/17/79	TITLE		
ENG <i>[Signature]</i>	11/17/79		11/44 Unit Assy	
PROJ. ENG <i>[Signature]</i>	11/7/79			
PROD. <i>[Signature]</i>	11/17/79			
NEXT HIGHER ASSY.				
E-UA-11/44-0-0	SIZE CODE	C	PL	NUMBER
SCALE ++				11/44-0-0
SHEET 1 OF 2	DIST.			REV. A

THIS DRAWING AND SPECIFICATIONS, HEREIN ARE THE PROPERTY OF DIGITAL EQUIPMENT CORPORATION AND SHALL NOT BE REPRODUCED OR COPIED OR USED IN WHOLE OR IN PART AS THE BASIS FOR THE MANUFACTURE OR SALE OF ITEMS WITHOUT WRITTEN PERMISSION. COPYRIGHT © 1979, DIGITAL EQUIPMENT CORPORATION

ITEM NO.	DWG/PART NO	DESCRIPTION
44	D-AD-7017048-0-0	I/O PANEL KIT
45	A-PL-11/44-0-4	11/44 SHIPPING LIST
46	A-SP-3700505-0-0	PACKAGING INSTRUCTIONS (DOCK MERGE)
47	9007786-00	#10 TINNEMAN NUT
48	D-AD-7017641-0-0	BRACKET, SHIPPING
49	9006072-03	SCREW, #10 - 32 X .43 TRUSS HD

11/44-XX	11/44-XY	11/44-CA	11/44-CB
-	-	1	1
-	-	ref	ref
-	-	ref	ref
-	-	12	12
-	-	2	2
-	-	12	12

REV.	
CHANGE NO.	
CHK	

DRN. John Naele	13 Aug	FIRST USED ON	11/44	digital
CHK'D		TITLE	11/44 UNIT ASSY	
ENG. <i>Randall</i>				
PROJ. ENG. <i>Raymond</i>				
PROD. <i>J. Combs</i>				
NEXT HIGHER ASSY.				
E-UA-11/44-0-0	SIZE	CODE	NUMBER	REV.
SCALE <i>1/1</i>	C	PL	11/44-0-0	A
SHEET 2 OF 2	DIST.			

TW 1

DIGITAL EQUIPMENT CORPORATION PARTS LIST

QUANTITY / VARIATION

NOTES:

MADE BY DATE	Liz Hevesh 11 June 79	CHECKED DATE	SECTION
ENG DATE	<i>Rug</i> 6-17-79	PHOD DATE	ISSUED SECTION

ITEM NO.	DRAWING NO.	PART NO.	DESCRIPTION
1	EK- 11044-UG-001		11/44 System User Guide
2	MP00742		MS11-M Print Set
3	EK-MS11M-UG-001		MS11-MB 256KB ECC MOS Memory
4	MP00809		11/44 Basic Print Set
5	ZJ014-FR		11/44 Basic CPU Kit (FICHE)
6	ZJ014 -PB		11/44 BASIC CPU KIT (PAPERTAPE)

11/44-CA	11/44-CB																			
1	1																			

REF DESIGNATION

E.C.O. NO.
1144-
TW001

"THIS DRAWING AND SPECIFICATIONS, HEREIN, ARE THE PROPERTY OF DIGITAL EQUIPMENT CORPORATION AND SHALL NOT BE REPRODUCED OR COPIED OR USED IN WHOLE OR IN PART AS THE BASIS FOR THE MANUFACTURE OR SALE OF ITEMS WITHOUT WRITTEN PERMISSION. COPYRIGHT © 1979 DIGITAL EQUIPMENT CORPORATION"

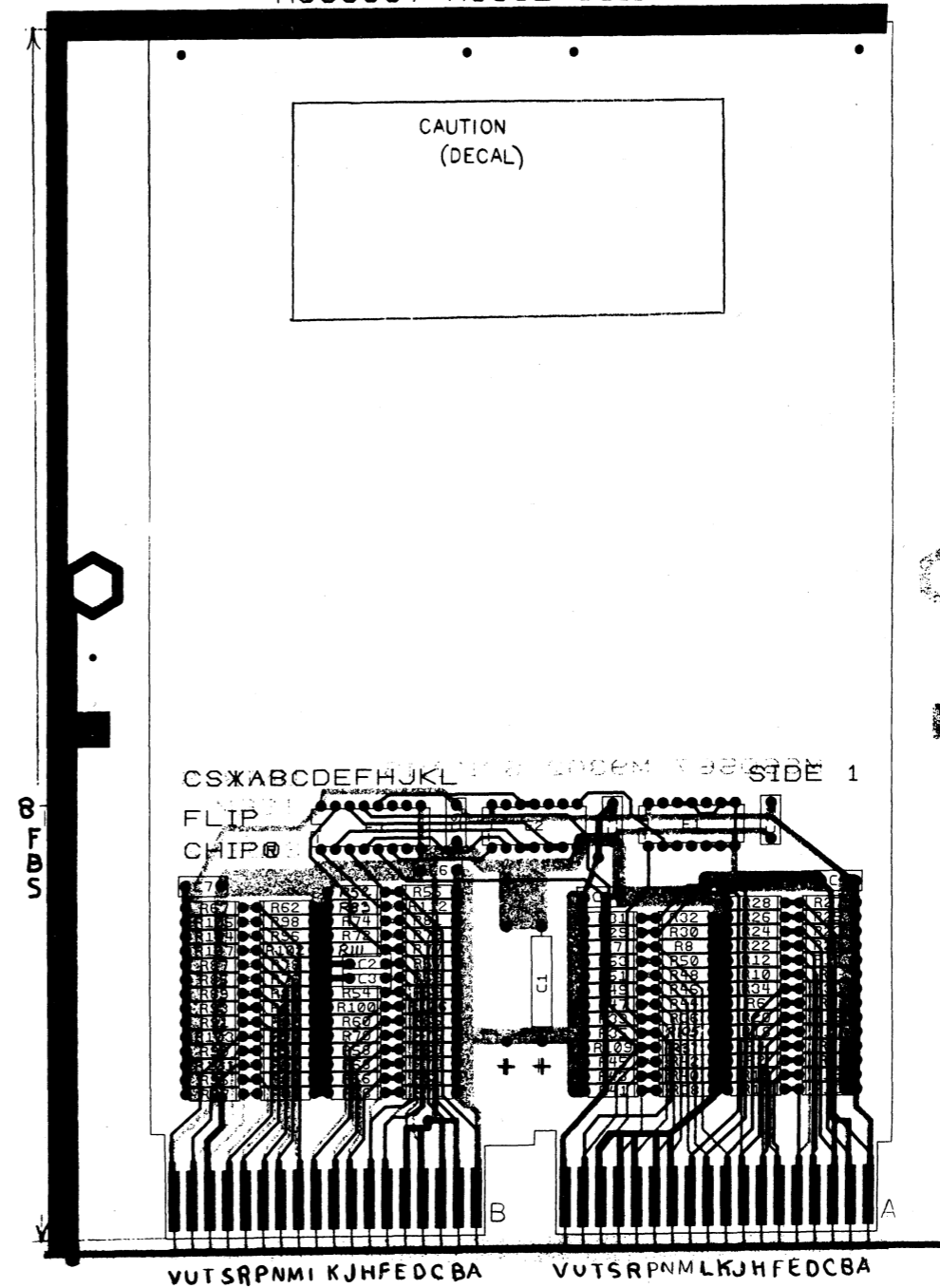
TITLE
Shipping List

ASSY NO.
E-UA-11/44-0-0
SHEET 1 OF 1

SIZE B	CODE PL	NUMBER 11/44-0-4	REV. A
------------------	-------------------	---------------------	------------------

TW

MS60567 M9302 5011311B



NOTES:

REF DESIGNATIONS NOT USED ARE R37, R52, R83, R108, AND R111.

DRILLING DATA			
HOLE LETTER	DRILL SIZES	CAN TAKE GRIPLETS	QTY OF HOLES
	FOR PTH BOARDS	YES	NO
NONE	#56(0465DIA) ✓		

BOARD FABRICATION INFORMATION

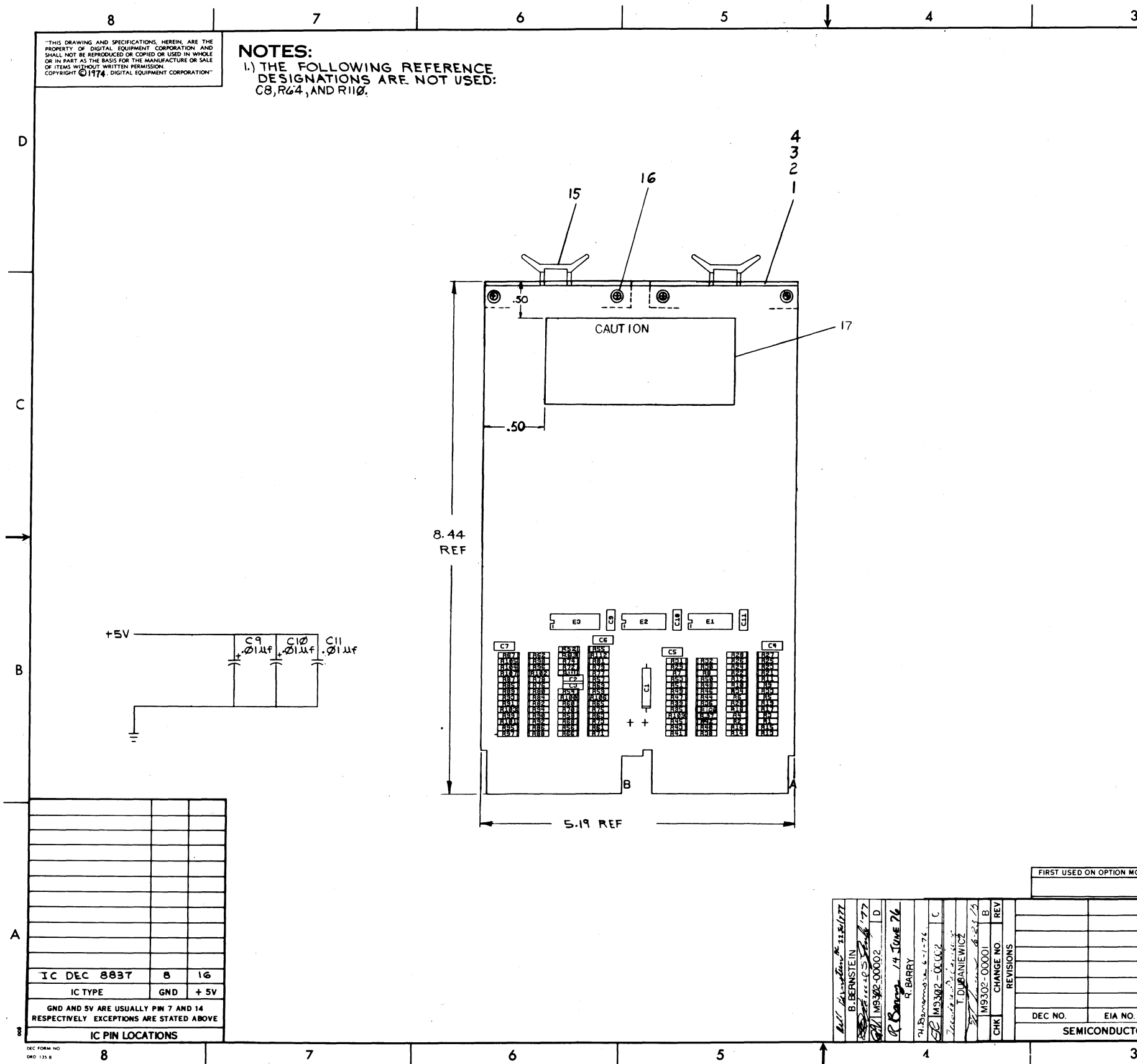
BOARD SIZE 8540 X 11750
 D MD 7605819-0-0
 BOARD MATERIAL 052 THK
 1 OZ COPPER 2 SIDES

EYELET PLATED THRU
 2 SIDED MULTI-LAYER
 NOTCH BEFORE GOLD PLATING
 NOTCH AFTER GOLD PLATING

DRN	DATE	digital EQUIPMENT CORPORATION MAYNARD MASSACHUSETTS	
CHKD	DATE		
ENG	DATE		
PROJ. ENG.	DATE		
PROD.	DATE	TITLE	
		UNIBUS TERM	
FIRST USED ON	SIZE CODE	NUMBER	REV.
M9302	D AH	M9302-0-5	D
SCALE 2/1	ETCH REV	MS 60567	
B		TW	

THIS DRAWING AND SPECIFICATIONS HEREIN ARE THE PROPERTY OF DIGITAL EQUIPMENT CORPORATION AND SHALL NOT BE REPRODUCED OR COPIED OR USED IN WHOLE OR IN PART AS THE BASIS FOR THE MANUFACTURE OR SALE OF ITEMS WITHOUT WRITTEN PERMISSION.
COPYRIGHT © 1974, DIGITAL EQUIPMENT CORPORATION

NOTES:
1.) THE FOLLOWING REFERENCE DESIGNATIONS ARE NOT USED:
C8, R64, AND R110.



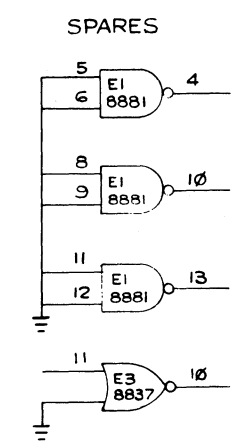
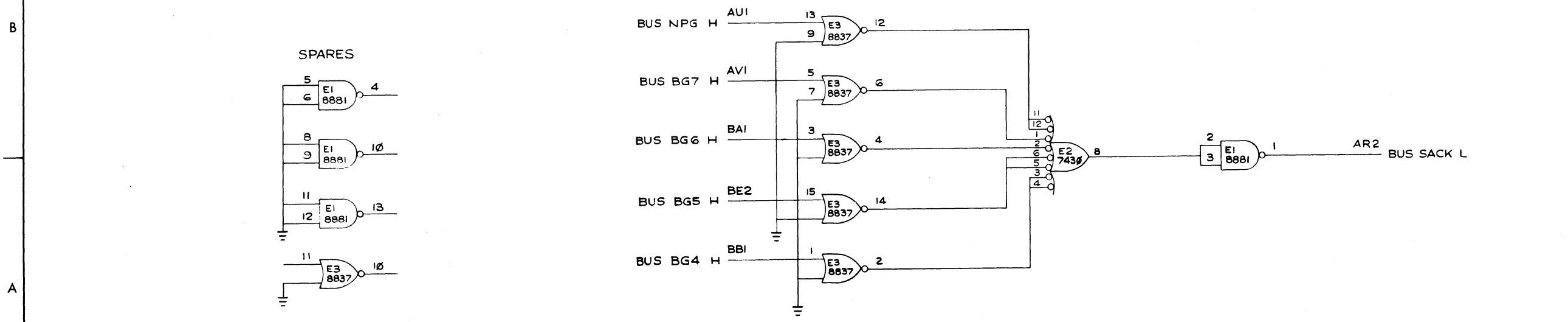
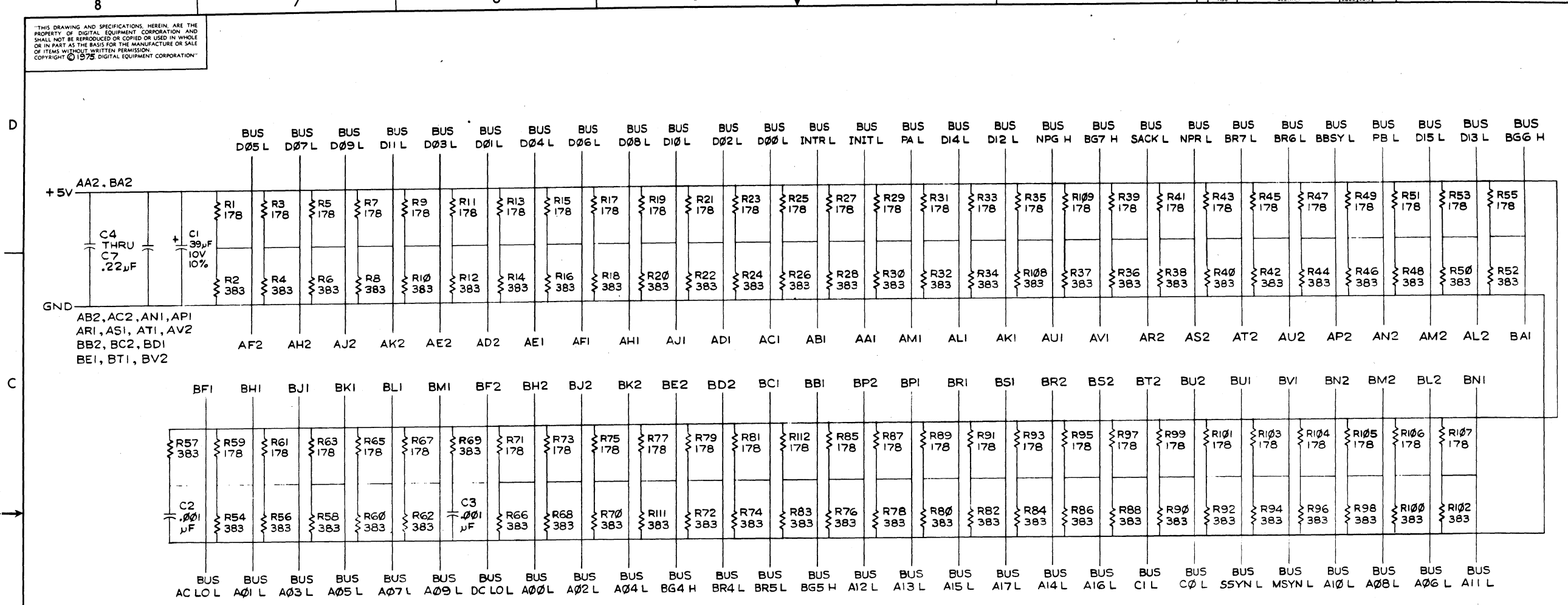
IC PIN LOCATIONS		
IC TYPE	GND	+5V
IC DEC 8837	8	16
GND AND 5V ARE USUALLY PIN 7 AND 14 RESPECTIVELY. EXCEPTIONS ARE STATED ABOVE.		

REF	X-Y HOLE COORDINATE HOLE LOCATION	K-CO-M9302-0-4	1	
REF	ASSY/DRILLING HOLE LAYOUT	D-AH-M9302-0-5	2	
REF	MODULE ECO HISTORY	B-MH-M9302-0-6	3	
1	ETCHED CIRCUIT BOARD	5011311	4	
3	C9, C10, C11	CAP .01 uf 100V 20% DISC	1001610-01	5
1	C1	CAP 39 uf 10V 10%	1000076	6
1	C8	CAP 0.01 uf 35V 10%	1000306	7
4	C4 THRU C7	CAP .22 uf 50V X%	1010274-#1	8
2	C2, C3	CAP .001 uf 250V 20% DISC	1000043	9
56	R2, R4, R6, R8, R10, R12, R14, R16, R18, R20, R22, R24, R26, R28, R30, R32, R34, R36, R38, R40, R42, R44, R46, R48, R50, R52, R54, R56, R58, R60, R62, R64, R66, R68, R70, R72, R74, R76, R78, R80, R82, R84, R86, R88, R90, R92, R94, R96, R98, R100, R102, R104, R106, R108, R110	RES 383 OHM 1/4W 1%	1305125	10
54	R1, R3, R5, R7, R9, R11, R13, R15, R17, R19, R21, R23, R25, R27, R29, R31, R33, R35, R37, R39, R41, R43, R45, R47, R49, R51, R53, R55, R57, R59, R61, R63, R65, R67, R69, R71, R73, R75, R77, R79, R81, R83, R85, R87, R89, R91, R93, R95, R97, R99, R101, R103 THRU R107, R109, R112	RES 178 OH 1/4W 1%	1311422	11
1	E2	I.C. DEC 7430	1905578	12
1	E1	I.C. DEC 8881	1809705	13
1	E3	I.C. DEC 8837	1911116	14
2		HANDLE, FLIP-CHIP (MAGENTA)	9008337-6	15
4		EYELETS	9006732	16
1		DECAL	B-DC-7416791-0-C	17

QTY	REF DESIGNATION	DESCRIPTION	PART NO.	ITEM NO.
PARTS LIST				
ETCH BOARD REV B				
FIRST USED ON OPTION MODEL				
DRN: <i>[Signature]</i> DATE: 10/9/74				
CHK'D: DATE: 12/3/74				
ENGR: DATE: 2-25-75				
PROJ. ENG. DATE: 2-25-75				
PROD. DATE: 3/20/75				
NEXT HIGHER ASSY				
TITLE: UNIBUS TERMINATOR				
DIGITAL EQUIPMENT CORPORATION MAYNARD, MASSACHUSETTS				
SCALE: 1 OF 2				
SEMICONDUCTOR CONVERSION CHART				
DEC NO. EIA NO. DEC NO. EIA NO.				
SIZE CODE: DCS M9302-0-1 REV. D				

THIS DRAWING AND SPECIFICATIONS HEREIN ARE THE PROPERTY OF DIGITAL EQUIPMENT CORPORATION AND SHALL NOT BE REPRODUCED OR COPIED OR USED IN WHOLE OR IN PART AS THE BASIS FOR THE MANUFACTURE OR SALE OF ITEMS WITHOUT WRITTEN PERMISSION. COPYRIGHT © 1975 DIGITAL EQUIPMENT CORPORATION

D CS M9302-0-1 2

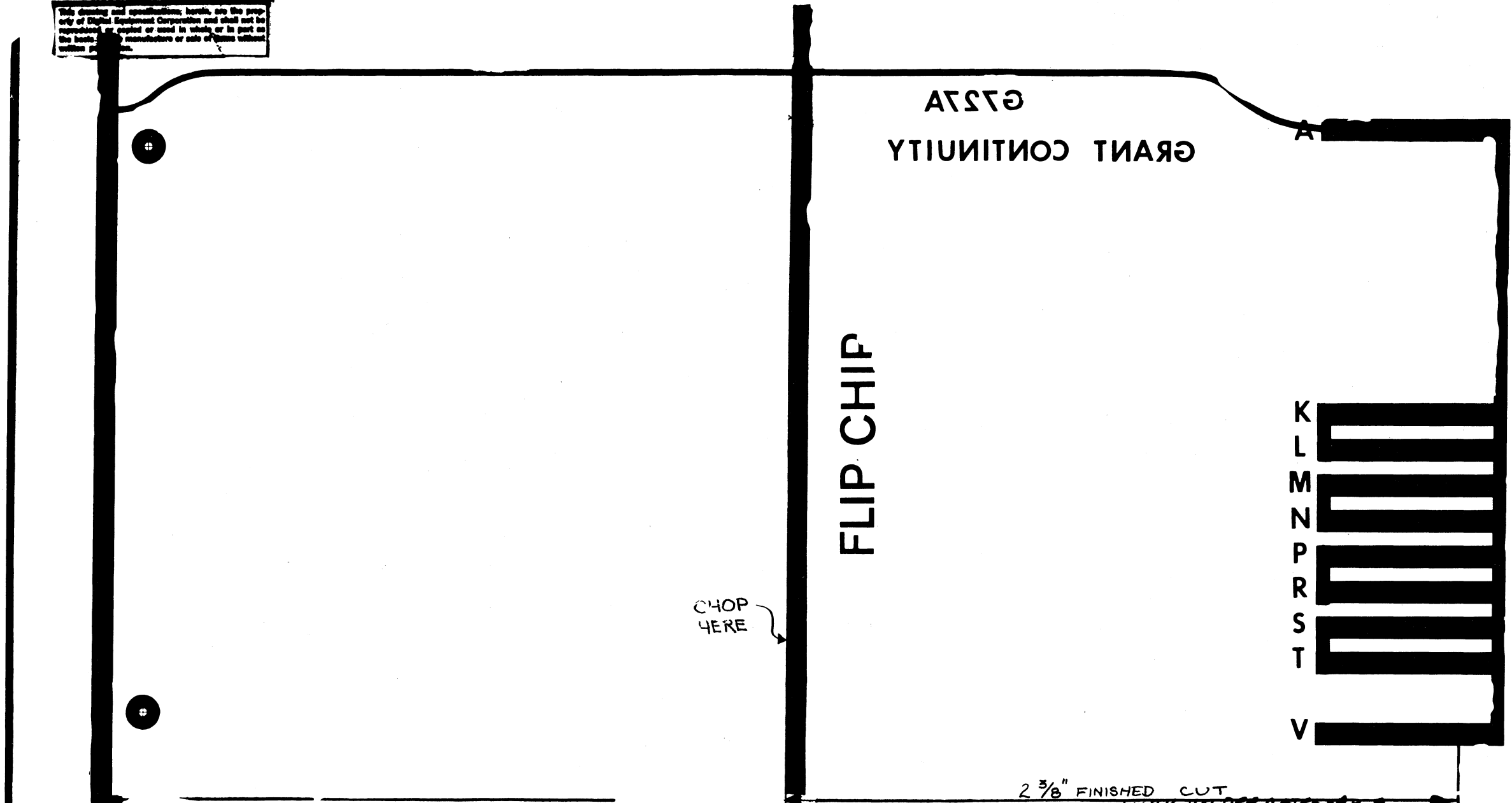


REVISIONS		
CHK	CHANGE NO	REV

TITLE	UNIBUS TERMINATOR	SIZE CODE	D CS	NUMBER	M9302-0-1	REV.	D
SCALE	---	SHEET	2	OF	2	DIST.	

DEC FORM NO. 080 137

This drawing and specifications herein are the property of Digital Equipment Corporation and shall not be reproduced, copied or used in whole or in part in the manufacture or sale of items without written permission.



UNLESS OTHERWISE INDICATED

RESISTORS ARE _____

CAPACITORS ARE _____

DIODES ARE _____

TRANSISTORS ARE _____

BOARD FABRICATION INFO

BOARD SIZE NON STD. (2 3/8") STOCK CODE # 2230

BOARD MAT'L .055 THK.; 2^{oz} COPPER CLAD

PLATED THRU EYELET SINGLE SIDED

HOLES BEFORE PLATING _____

UNMARKED HOLES ARE _____

HOLES ARE _____ PLACES _____

HOLES ARE _____ PLACES _____

HOLES ARE _____ PLACES _____

NOTCH BEFORE G.P. NOTCH AFTER G.P.

2 3/8" FINISHED CUT
WORK HOLDER CATEGORY A
PR# 7818

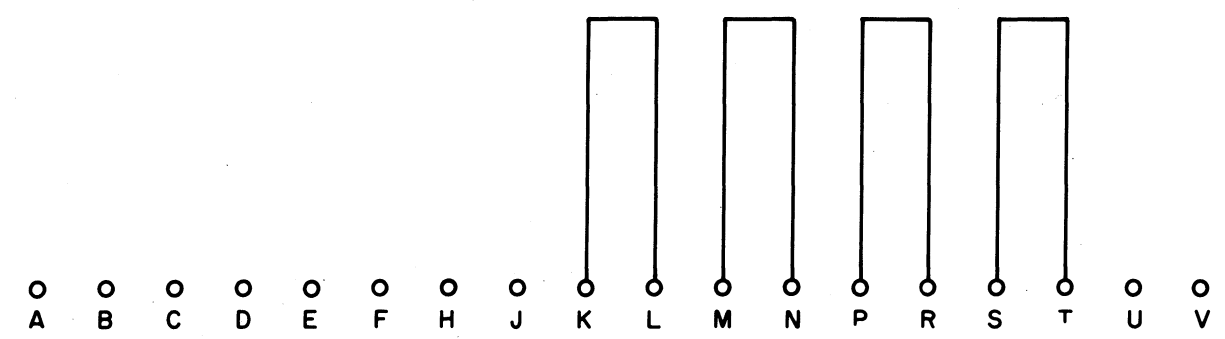
QTY.	DESCRIPTION	PART NO.	ITEM NO.
PARTS LIST			
DRN. J. PATTERSON		DATE 11-6-69	
CHK'D. J. Mikowski		DATE 12-16-69	
ENG. P.E. Jensen		DATE 1/28/70	
PRO. ENG. P.E. Jensen		DATE 1/28/70	
PROD. J. Patterson		DATE 3/9/70	
FIRST USED ON		G727	
SCALE		SIZE CODE C AH	NUMBER G727-0-5
SHEET OF		DIST. B44/K25	REV. 1

digital EQUIPMENT CORPORATION
MAYNARD, MASSACHUSETTS

TITLE
ASSY/DRILLING HOLE LAYOUT

2 PINK IV

THIS SCHEMATIC IS FURNISHED ONLY FOR TEST AND MAINTENANCE PURPOSES. THE CIRCUITS ARE PROPRIETARY IN NATURE AND SHOULD BE TREATED ACCORDINGLY. COPYRIGHT 1969 BY DIGITAL EQUIPMENT CORPORATION



REVISIONS CHK CHG NO. REV.	DRN. BUTLER	DATE 11-19-69	TRANSISTOR & DIODE CONVERSION CHART				digital EQUIPMENT CORPORATION MAYNARD, MASSACHUSETTS	TITLE GRANT CONTINUITY G727			
	CHK'D <i>P. Jo Stank</i>	DATE 6-FC 13 70	DEC	EIA	DEC	EIA		SIZE B	CODE CS	NUMBER G727-0-1	REV.
	ENG. <i>D. E. Johnson</i>	DATE 1/28/70						PRINTED CIRCUIT REV. A			
	PROD.	DATE									

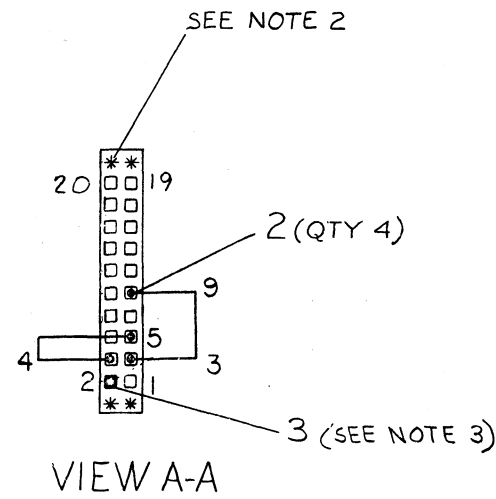
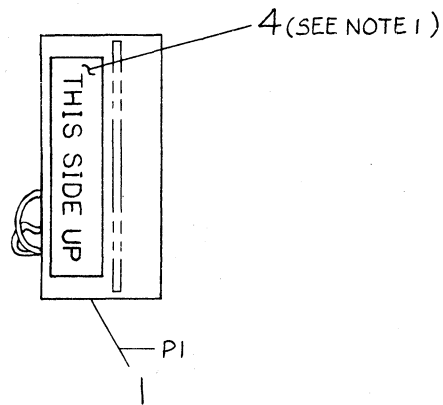
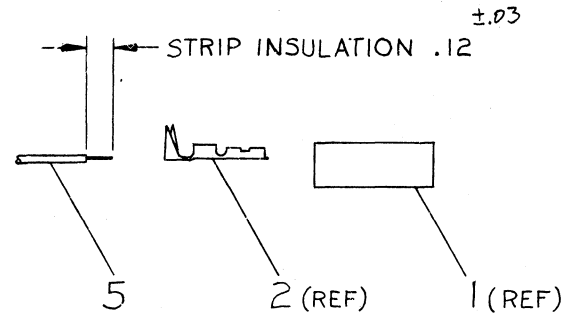
"THIS DRAWING AND SPECIFICATIONS, HEREIN, ARE THE PROPERTY OF DIGITAL EQUIPMENT CORPORATION AND SHALL NOT BE REPRODUCED OR COPIED OR USED IN WHOLE OR IN PART AS THE BASIS FOR THE MANUFACTURE OR SALE OF ITEMS WITHOUT WRITTEN PERMISSION. COPYRIGHT © 1979, DIGITAL EQUIPMENT CORPORATION"

WIRE TABLE

ITEM NO.	DESCRIPTION	FROM		TO		REMARKS	
		AWG	COLOR	CONN.	WITH		CONN
5	22	BLK	PI-3	ITEM 2	PI-9	ITEM 2	3.0IN.±.06
5	22	BLK	PI-4	ITEM 2	PI-5	ITEM 2	3.0IN.±.06
3	-	KEY	-	-	PI-2	ITEM 3	SEE NOTE 3

NOTES:

1. PLACE LABEL (ITEM 4) ON CONNECTOR (ITEM 1) APPROX. AS SHOWN.
2. POSITIONS MARKED "*" ASTERIX IN VIEW A-A ARE NOT TO BE USED.
3. CONNECTOR (ITEM 1) SHALL HAVE ONE KEY (ITEM 3) INSERTED IN POSITION 2 AS SHOWN.



ITEM NO.	DESCRIPTION	DWG./PART NO.	ITEM NO.
6.0	WIRE, 22AWG, STRD, UL1429	9107350-00	5
1	LABEL (THIS SIDE UP) 1.0x.25	3611567-01	4
1	CONN, PIN (DUMMY), KEY	9009140-00	3
4	SOCKET, CRIMP TYP REEL	1210089-07	2
1	TERM. 24 POS. HOUSING	1210918-25	1

DESCRIPTION		DWG./PART NO.	ITEM NO.
UNLESS OTHERWISE SPECIFIED DIMENSIONS ARE IN INCHES			
ANGLES ±0° 30'	CLASS OF ACCURACY (CHECK ONE)	NOMINAL DIMENSION RANGE INCHES	
SURFACE QUALITY IN	MEDIUM <input type="checkbox"/> MEDIUM <input type="checkbox"/>	OVER 0 TO 0.2	OVER 0.2 TO 1.2
		OVER 1.2 TO 4.0	OVER 4.0 TO 12.0
MICRONCHES	PREFERRED <input type="checkbox"/>	±.004	±.008
		±.012	±.016
		±.025	±.04
		±.03	±.04
		±.033	±.04
THIRD ANGLE PROJECTION	DRN. <i>R. Williams</i> 1 DEC 78	FIRST USED ON	11/44
REMOVE BURRS AND BREAK SHARP CORNERS	CHK'D. <i>J.F. Sullivan</i> MAR 26 79	TITLE	
DO NOT SCALE DWG	ENG. <i>R. Williams</i> 6/15/79	CONNECTOR, LOOP BACK	
MATERIAL SEE PARTS LIST	PROJ. ENG. <i>R. Williams</i> 6/23/79	SIZE	CODE
FINISH	PROD. <i>John G. Hall</i> 29 JUN 79	C	IA
	NEXT HIGHER ASSY.	NUMBER	REV.
	E-UR-1144-0-0	7422428-0-0	*
	SCALE 2/1	DIST.	
	SHEET 1 OF 1		

REV.	CHANGE NO.	DESCRIPTION
CHK		

DEC FORM NO. DBC 100-C

MAKEPEACE P-2874

REVISION NUMBER

4

3

2

TW 1

THIS DRAWING AND SPECIFICATIONS, HEREIN, ARE THE PROPERTY OF DIGITAL EQUIPMENT CORPORATION AND SHALL NOT BE REPRODUCED OR COPIED OR USED IN WHOLE OR IN PART AS THE BASIS FOR THE MANUFACTURE OR SALE OF ITEMS WITHOUT WRITTEN PERMISSION.
 COPYRIGHT © 1978, DIGITAL EQUIPMENT CORPORATION

REVISIONS
 CHANGE NO. REV. BY DATE
 1 BC44A-TWS01 A W. CANNON 1/20/77
 2 R. ABBOTT 1/20/77
 3 R. ABBOTT 1/20/77

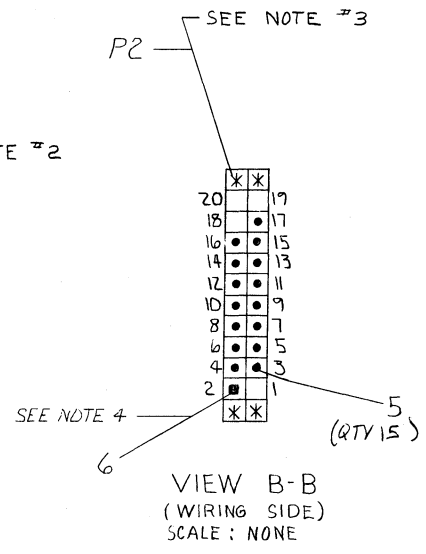
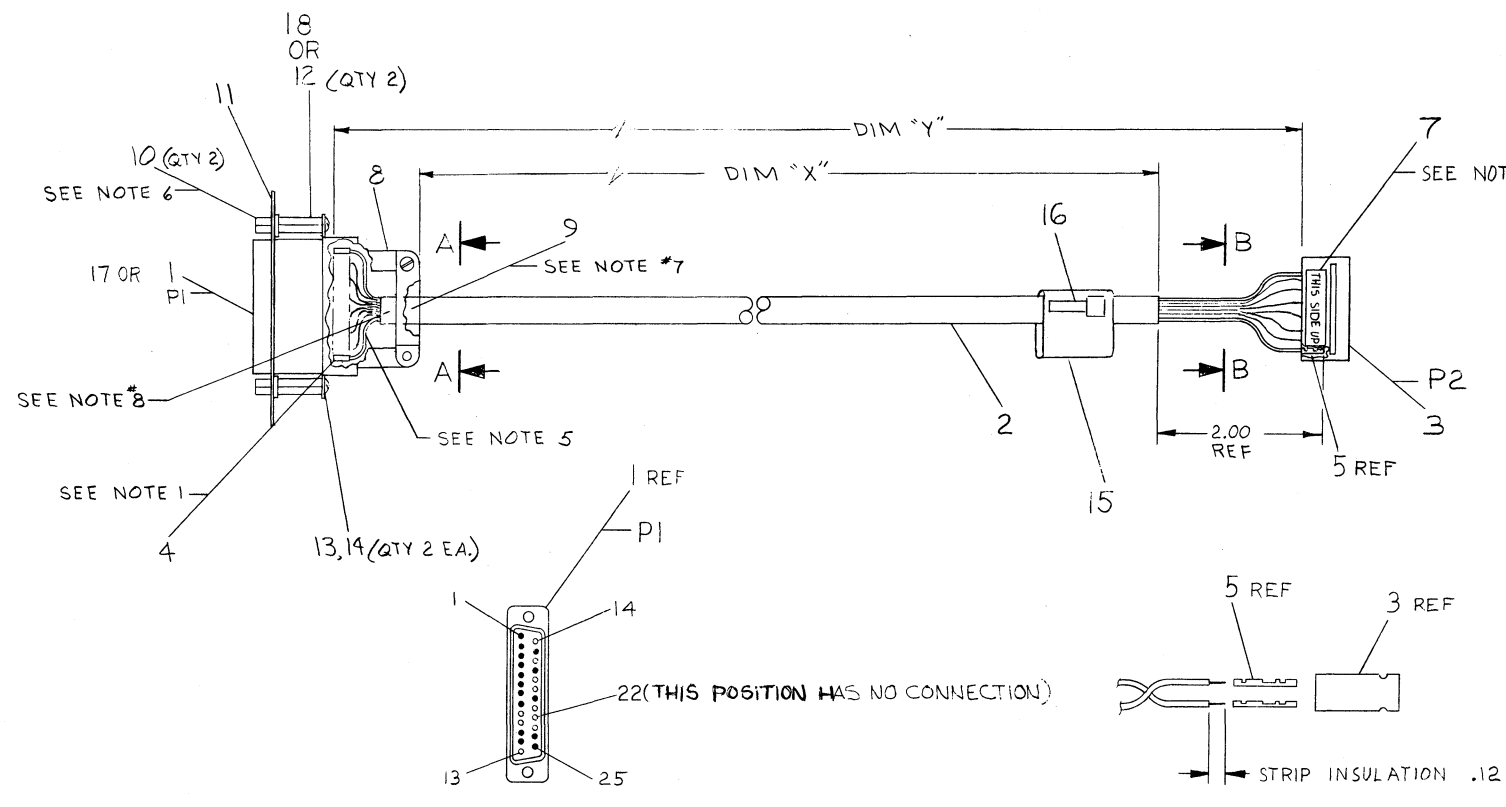
CHK. H.2. M. CANNON
 R. ABBOTT
 W. CANNON

DEC FORM NO. 100-C

ITEM NO	DESCRIPTION	FROM		TO		
		AWG	COLOR	CONN	WITH	CONN
2	22	BLU	PI-1	SOLDER	P2-3	5
		WHT/BLK	PI-2		P2-4	
		RED/BLK	PI-3		P2-5	
		GRN/BLK	PI-4		P2-6	
		BLK	PI-5		P2-7	
		WHT	PI-6		P2-8	
		ORN/BLK	PI-7		P2-9	
		BLU/BLK	PI-8		P2-10	
		BLK/WHT	PI-11		P2-11	
		RED/WHT	PI-12		P2-12	
		ORN	PI-15		P2-13	
		GRN	PI-17		P2-14	
		RED	PI-20		P2-15	
		BLU/WHT	PI-24		P2-16	
2	22	GRN/WHT	PI-25	SOLDER	P2-17	5

PART NO.	VARIATION		REMARKS
	DIM "X"	DIM "Y" PRECUT	
BC44A-10	10FT. ± 2IN.	10FT. 5IN.	SEE NOTE 9
BC44A-YA	10FT. ± 2IN.	10FT. 5IN.	

- NOTES:
- EACH SOLDERED CONTACT ON (PI) SHALL BE INSULATED WITH A .25 IN. PIECE OF SHRINK TUBING (ITEM # 4).
 - PLACE LABEL (ITEM # 7) AS SHOWN ON CONN (ITEM # 3).
 - PINS MARKED (X) IN VIEW B-B ARE NOT TO BE USED.
 - CONN. P2-2 (ITEM # 3) SHALL HAVE ONE KEY (ITEM # 6) INSERTED AS SHOWN.
 - WIRES COMING FROM CENTER OF PLUG CONN SHOULD BE FANNED OUT INTO HOOD SO THAT THEY ARE NOT BUNCHED.
 - PLACE LOCKWASHER (SUPPLIED WITH ITEM # 10) BETWEEN SPACER AND CONNECTOR FLANGE. DISCARD NUT (QTY. 2) SUPPLIED WITH ITEM # 10.
 - FOR STRAIN RELIEF WRAP 2 TURNS OF TAPE (ITEM # 9) AROUND CABLE (ITEM # 2) AS SHOWN.
 - CABLE JACKET INSULATION (ITEM # 2) SHOULD EXTEND BEYOND STRAIN RELIEF CLAMP (ITEM # 8) A MIN. OF .20 INCH.
 - THE BC44A-10 AND BC44-YA ARE THE SAME, EXCEPT FOR THE FILTERED CONNECTOR AND SPACER. THESE TWO VARIATIONS ARE INTERCHANGABLE.



QTY	DESCRIPTION	DWG./PART NO.	ITEM NO.
2	SPACER, HEX THD 4-40X 1 3/16	9000033-02	18
1	CONN, D SUB, 25 PIN FLTRD	1214081-02	17
1	TIE, CABLE SSTI-M	9007031-00	16
1	LABEL, CABLE I.D.	9009532-00	15
2	WASHER, LOCK #4	9006688-00	14
2	SCR. PHL PAN HD #4-40 X.25	9008301-01	13
-	2 SPACER, THREADED, HEX, 1-40	9008833-00	12
1	PLATE, CONN. MTG	B-MD-7414372-00	11
2	SCREW LOCK ASSY	9008451-00	10
A/R/A/R	TAPE, DOUBLE COATED .5WD	9007834-00	9
1	HOOD, CONN. W/CLAMP ASSY	1212516-00	8
1	LABEL (THIS SIDE UP) 1.0 X.25	3611567-01	7
1	KEY, DUMMY, POLAR	9009140-00	6
15	SOCKET, CRIMP	1210033-07	5
4	4" TUBING, SHRINK, .094 I.D.	9107714-09	4
1	TERM. HSG. (24 POS)	1210918-25	3
A/R	A/R CABLE, 22 AWG (15 COND) UL 2464	9107672-00	2
-	1 CONN, D SUB, 25 PIN FLTRD	1214081-00	1

QUANTITY & VARIATION	DESCRIPTION		DWG./PART NO.	ITEM NO.
	BC44A-YA	BC44A-10		
	UNLESS OTHERWISE SPECIFIED DIMENSIONS ARE IN INCHES			
	ANGLES 90° 30'		CLASS OF ACCURACY	
	SURFACE QUALITY IN		NOMINAL DIMENSION RANGE INCHES	
	MICROINCHES		OVER .02 TO .12	
	PREFERRED		OVER .12 TO .40	
			OVER .40 TO 12.0	
			OVER 12.0 TO 40.0	
			OVER 40.0 TO 80.0	
			OVER 80.0 TO 100.0	
			OVER 100.0 TO 160.0	
			OVER 160.0 TO 250.0	
			OVER 250.0 TO 400.0	
			OVER 400.0 TO 650.0	
			OVER 650.0 TO 1000.0	
			OVER 1000.0 TO 1600.0	
			OVER 1600.0 TO 2500.0	
			OVER 2500.0 TO 4000.0	
			OVER 4000.0 TO 6500.0	
			OVER 6500.0 TO 10000.0	

THIRD ANGLE PROJECTION
 REMOVE BURRS AND BREAK SHARP CORNERS
 DO NOT SCALE DWG
 MATERIAL SEE PARTS LIST
 FINISH

DRN. B. BLODGE 2/25/77
 CHK'D. J. S. ...
 ENG. R. ABBOTT 1/20/77
 PROJ. ENG. R. ABBOTT 1/20/77
 PROD. G. ... 1/20/77

FIRST USED ON 11/44 digital

TITLE FILTERED CABLE ASSY

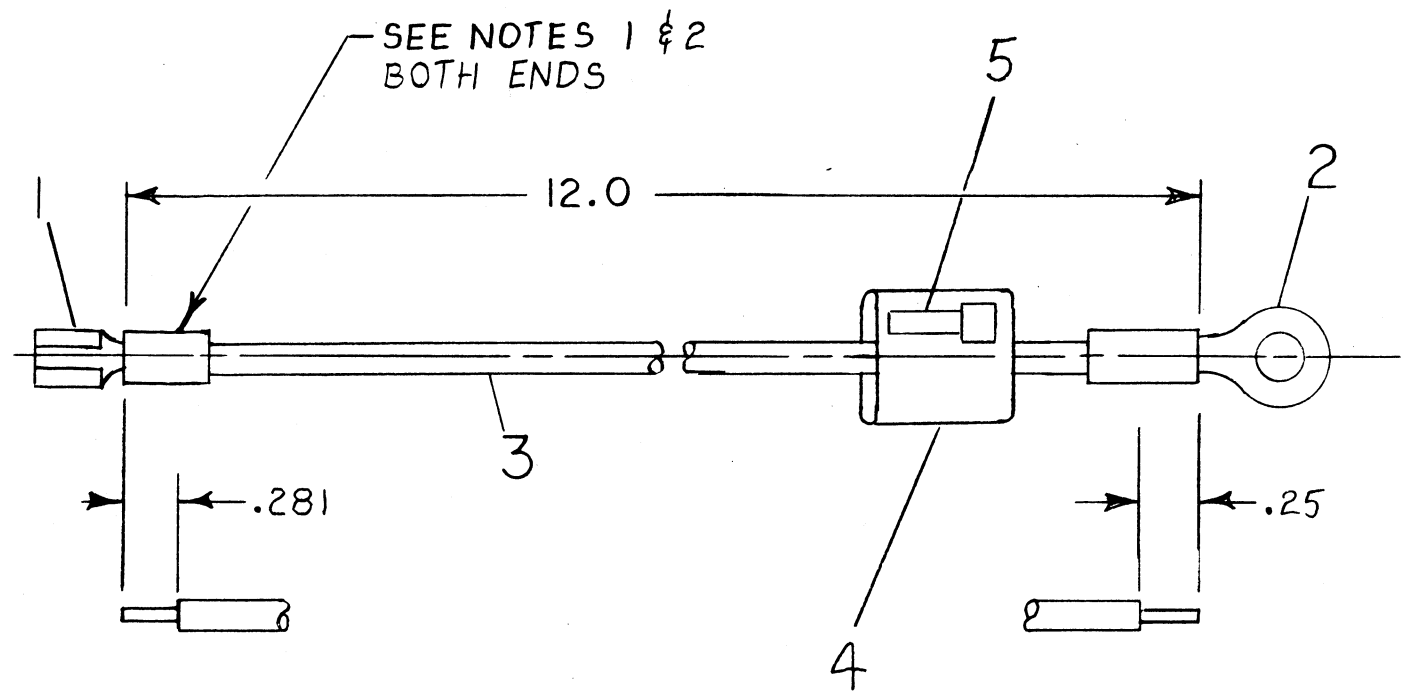
E-UR-1144-0-0
 SCALE 1/1
 SHEET 1 OF 1
 SIZE D IA
 NUMBER BC44A-0-0
 REV. A

THIS DRAWING AND SPECIFICATIONS, HEREIN, ARE THE PROPERTY OF DIGITAL EQUIPMENT CORPORATION AND SHALL NOT BE REPRODUCED OR COPIED OR USED IN WHOLE OR IN PART AS THE BASIS FOR THE MANUFACTURE OR SALE OF ITEMS WITHOUT WRITTEN PERMISSION.
 COPYRIGHT © 1978 DIGITAL EQUIPMENT CORPORATION

REV. 2
 SIZE B
 CODE IA
 NUMBER 7422393-0-0

NOTES:

1. CRIMP PER DEC. STD. 116 SEC 3 REV B PAGE 6
2. PULL TEST, PER DEC. STD A-SP-7665267 REV B, AFTER CRIMP



1	TIE, CABLE SSTI-M	9007031-00	5
1	LABEL, CABLE I.D.	9009532-00	4
12	WIRE #20AWG STRD GRN	9107460-55	3
1	RING TERM #8 STUD	1214628-00	2
1	FASTON TERM	9007970-00	1

DESCRIPTION	DWG./PART NO.	ITEM NO.
UNLESS OTHERWISE SPECIFIED DIMENSIONS ARE IN INCHES		
ANGLES ±0° 30'	CLASS OF ACCURACY (CHECK ONE)	NOMINAL DIMENSION RANGE INCHES
SURFACE QUALITY IN MICROINCHES	MEDIUM <input type="checkbox"/>	OVER 0 TO 0.2 ±.004 OVER 0.2 TO 1.2 ±.008 OVER 1.2 TO 4.0 ±.012 OVER 4.0 TO 12.0 ±.016 OVER 12.0 TO 40.0 ±.024 OVER 40.0 TO 80.0 ±.04
	PREFERRED <input checked="" type="checkbox"/>	±.012 ±.016 ±.025 ±.04 ±.063 ±0.1

REVISIONS	REV.
CHANGE NO.	
CHK	

THIRD ANGLE PROJECTION

REMOVE BURRS AND BREAK SHARP CORNERS

DO NOT SCALE DWG

MATERIAL SEE PARTS LIST

FINISH #

DRN. *A. Moore* 10-5-78
 CHK'D. *J. F. Sullivan* 11/17/79
 ENG. *R. O. Holt* 1/29/79
 PROJ. ENG. *R. O. Holt* 1/29/79
 PROD. *John Conella* 2/9/79

FIRST USED ON 11/44 **digital**

TITLE WIRE ASSY

SCALE NONE

SHEET 1 OF 1

SIZE B CODE IA NUMBER 7422393-0-0 REV. *

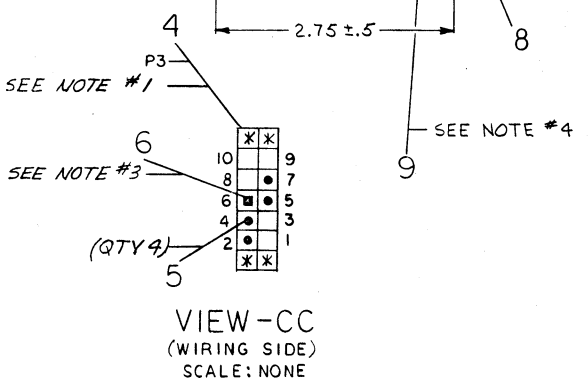
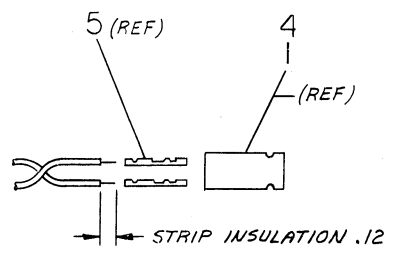
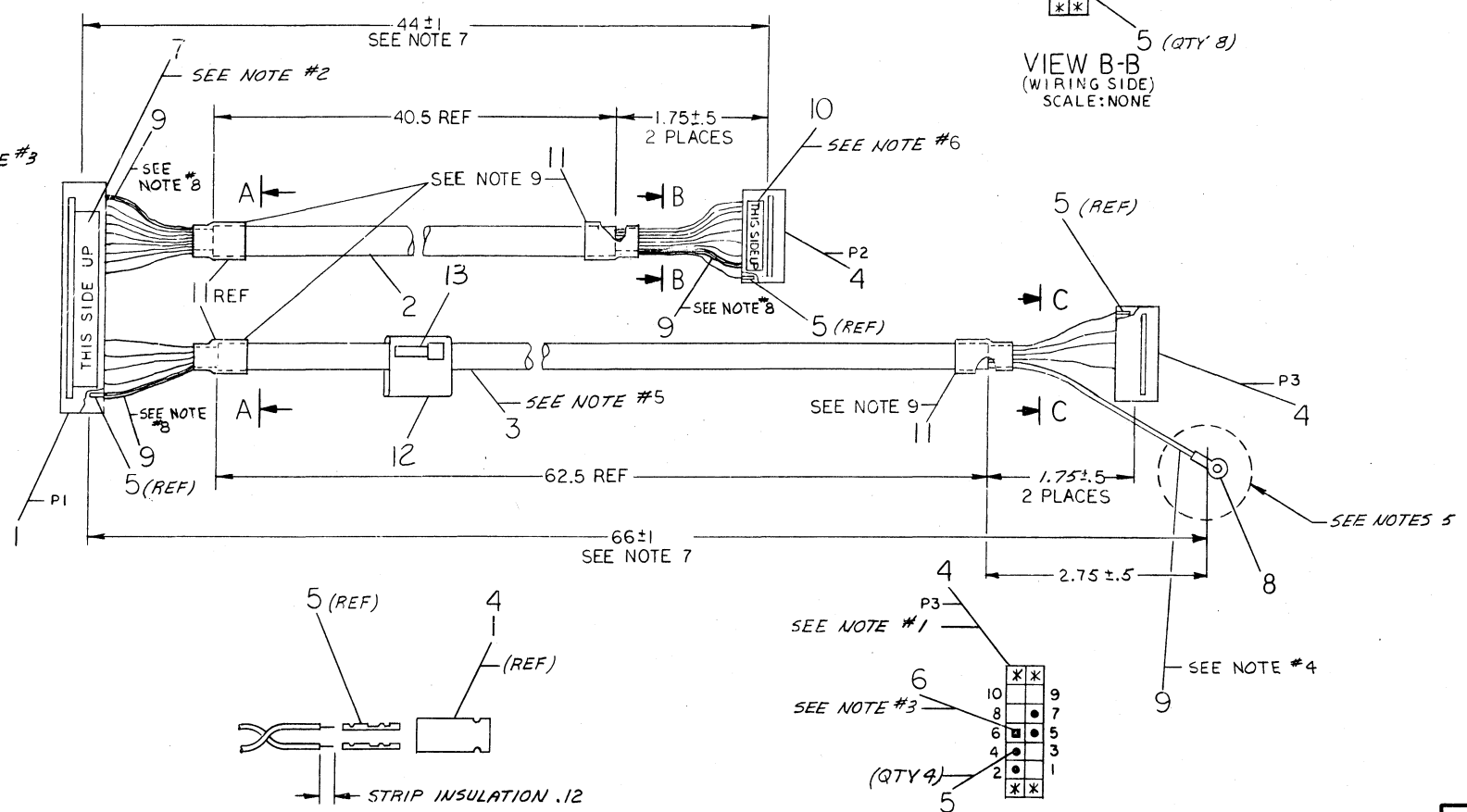
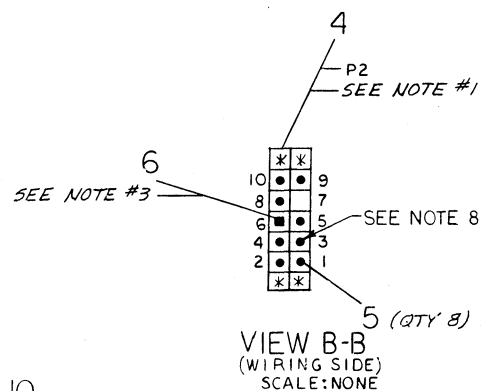
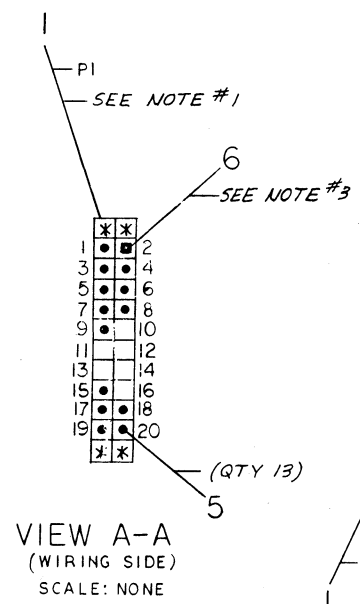
DRB 100A

"THIS DRAWING AND SPECIFICATIONS HEREIN ARE THE PROPERTY OF DIGITAL EQUIPMENT CORPORATION AND SHALL NOT BE REPRODUCED OR COPIED OR USED IN WHOLE OR IN PART AS THE BASIS FOR THE MANUFACTURE OR SALE OF ITEMS WITHOUT NOTICE FROM DIGITAL EQUIPMENT CORPORATION" COPYRIGHT © 1978, DIGITAL EQUIPMENT CORPORATION

WIRE TABLE							REMARKS
ITEM NO.	AWG	COLOR	CONN	WITH	CONN	WITH	
2	24	DRAIN	PI-1	ITEM 5	P2-3	ITEM 5	SEE NOTE 8
2	24	RED	PI-3	ITEM 5	P2-4	ITEM 5	
2	24	WHT	PI-4	ITEM 5	P2-5	ITEM 5	
2	24	GRN	PI-5	ITEM 5	P2-1	ITEM 5	
2	24	BLK	PI-6	ITEM 5	P2-2	ITEM 5	
2	24	BRN	PI-7	ITEM 5	P2-9	ITEM 5	
2	24	ORN	PI-8	ITEM 5	P2-8	ITEM 5	
2	24	BLU	PI-9	ITEM 5	P2-10	ITEM 5	
3	24	BLK	PI-15	ITEM 5	P3-2	ITEM 5	
3	24	GRN	PI-17	ITEM 5	P3-4	ITEM 5	
3	24	WHT	PI-18	ITEM 5	P3-5	ITEM 5	
3	24	RED	PI-19	ITEM 5	P3-7	ITEM 5	
3	24	DRAIN	PI-20	ITEM 5	ITEM 8	ITEM 9	SEE NOTES 9, 8

0-0-2487-0-0

- NOTES:
- LOCATIONS MARKED (*) IN VIEWS A-A, B-B AND C-C ARE NOT TO BE USED.
 - PLACE LABEL (ITEM #7) AS SHOWN ON CONN P1 (ITEM #1)
 - CONNS. P1-2, P2-6 AND P3-6 (ITEMS #1 AND 4) SHALL HAVE ONE KEY (ITEM #6) INSERTED AS SHOWN.
 - SLIDE EXTRUDED TUBING (ITEM #9) OVER DRAIN WIRE WHERE IT BREAKS OUT OF CABLE AS REQUIRED.
 - WIRE FROM P1-20 TO ITEM #8 SHALL BE MADE 1 INCH LONGER THAN WIRES FROM P1 TO P3.
 - LOCATE LABEL (ITEM #10) AS SHOWN ON CONNECTOR P2 (ITEM #4)
 - CUT LENGTH
 - SLIDE EXTRUDED TUBING (ITEM 9) OVER DRAIN WIRE BEFORE CRIMPING CONTACTS P2-3, P1-1, P1-20.
 - INSTALL SHRINK TUBING (ITEM #11) APPROX 1 INCH LONG, OVERLAPPING CABLE JACKET



ITEM NO.	DESCRIPTION	DWG./PART NO.	ITEM NO.
1	TIE, CABLE SSTI-M	9007031-00	13
1	LABEL, CABLE I.D.	9009532-00	12
4	TUBING, SHRINK .250 I.D.	9107253-09	11
1	LABEL (THIS SIDE UP), 50 X .25	3611567-02	10
8	TUBING EXTRUDED 22AWG .027 I.D.	9107256-00	9
1	RING TERM INS. 1 POS. 26-20 AWG	1214628-00	8
1	LABEL 1.0 X .25 (THIS SIDE UP)	3611567-01	7
3	KEY, POLAR, DUMMY	9009140-00	6
25	SOCKET, CRIMP REEL	1210089-07	5
2	TERM. HSG. (1A POS)	1210918-30	4
6	CABLE, #24 AWG STRND (4 COND)	1700155-01	3
44	CABLE, #24 AWG STRND (7 COND)	1700155-00	2
1	TERM. HSG. (24 POS)	1210918-25	1

UNLESS OTHERWISE SPECIFIED DIMENSIONS ARE IN INCHES		MICRON INCHES	
ANGLES	CLASS OF ACCURACY	OVER 0 TO 0.2	OVER 0.2 TO 1.2
30°	(CHECK ONE)	±.004	±.008
SURFACE QUALITY	MEDIUM	±.012	±.016
IN	PREFERRED	±.025	±.04
MICROINCHES		±.063	±.1

QUANTITY & VARIATION	DRN. <i>[Signature]</i> 28 OCT 78	FIRST USED ON	1/44
	CHK'D. J. F. <i>[Signature]</i> 1/22/79		
	ENG. R. O. <i>[Signature]</i> 1/29/79	TITLE	CIM CABLE ASSY
	PROJ. ENG. R. O. <i>[Signature]</i> 1/29/79		
	PROD. <i>[Signature]</i> 2/24/79		
DO NOT SCALE DWG	NEXT HIGHER ASSY.		
MATERIAL SEE PARTS LIST	E-0A-1144-0-0	SIZE	D
FINISH	SCALE 1/1	CODE	TA
	SHEET 1 OF 1	NUMBER	7016487-0-0
		REV.	*

REVISIONS
CHANGE NO.
CHK
REV.

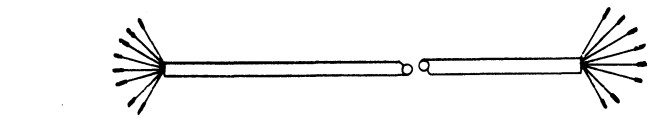
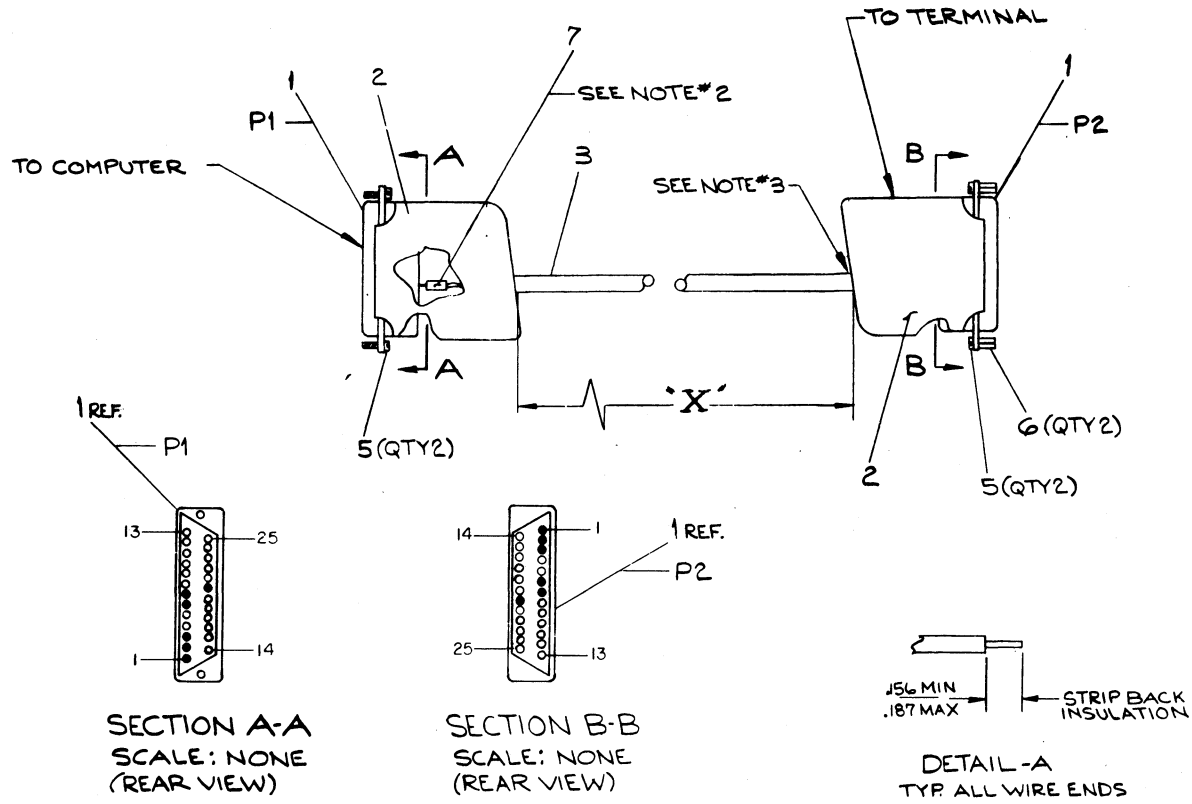
DWG FORM NO. 680 100-C

THIS DRAWING AND SPECIFICATIONS HEREIN ARE THE PROPERTY OF DIGITAL EQUIPMENT CORPORATION AND SHALL NOT BE REPRODUCED OR COPIED OR USED IN WHOLE OR IN PART AS THE BASIS FOR THE MANUFACTURE OR SALE OF ITEMS WITHOUT WRITTEN PERMISSION.
 COPYRIGHT © 1975 DIGITAL EQUIPMENT CORPORATION

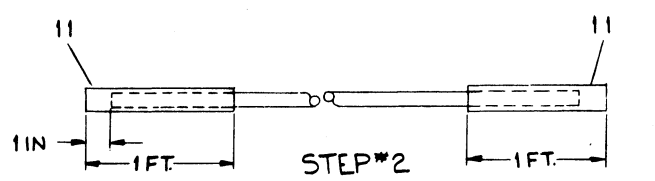
WIRE TABLE							
ITEM NO.	DESCRIPTION	FROM		TO		REMARKS	
		CONNECTION	WITH	CONNECTION	WITH		
3	22	BLK	P1-7 NOTE #4	4	P2-7 NOTE #4	4	
3		RED	P1-2	8	P2-3	8	
3		SHIELD	P1-1 NOTE #2 & 4	4 & 7	P2-1 NOTE #2	4 & 7	
3		BLK	P1-7 NOTE #4	4	P2-7 NOTE #4	4	
3		WHT	P1-3	8	P2-2	8	
3		SHIELD	P1-1 NOTE #2 & 4	4 & 7	P2-1 NOTE #2	4 & 7	
3		BLK	P1-6	8	P2-20	8	
3		GRN	P1-20	8	P2-6	8	
3	22	SHIELD	SEE NOTE #3	-	SEE NOTE #3	-	

LEGEND		
NUMBER	VARIATION	REMARKS
BC03M-01	DIM'S ±.2"	PREASSEMBLED
BC03M-25	1 FT.	PREASSEMBLED
BC03M-A0	100 FT.	PREASSEMBLED
BC03M-B5	250 FT.	PARTIALLY ASSEMBLED
BC03M-E0	500 FT.	PARTIALLY ASSEMBLED
BC03M-L0	1000 FT.	PARTIALLY ASSEMBLED
BC03M-H5	750 FT.	PARTIALLY ASSEMBLED

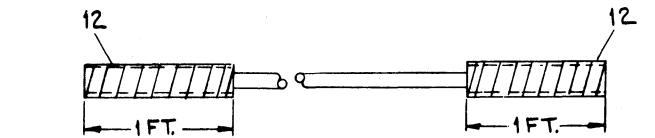
NOTES:
 1. VARIATIONS AND LENGTHS SHOWN IN LEGEND ARE STANDARD AND ARE SPECIFIED BY NUMERIC DESIGNATION IN FOOT INCREMENTS, THE TOLERANCE ON DIMENSION 'X' WILL BE ± 2% OF THE FOOT INCREMENT.
 2. DRAIN WIRES TO BE ENCLOSED WITH ITEM #7 (TUBING) FROM END OF CABLE JACKET TO POINT WHERE THEY ENTER CONTACT.
 3. CUT BACK DRAIN WIRE TO OUTER INSULATION ON BOTH ENDS.
 4. THERE ARE TWO WIRES INSTALLED IN EACH #18-20 GA CONTACT (ITEM #4).
 5. USE INSERTION/EXTRACTION TOOL (ITEM #9) TO CONSTRUCT CABLE. THIS PIECE IS DISCARDED AFTER USE.
 6. 1 FOOT, 25 FOOT AND 100 FOOT CABLES ARE PREASSEMBLED. ALL OTHERS ARE PARTIALLY ASSEMBLED.
 7. STEPS 1 THRU 4 ARE FOR CABLE LENGTHS OVER 100 FT.
 REFERENCE INFORMATION
 USE CRIMP TOOL TYPE M22520/1-01 WITH TH185 LOCATOR
 CABLES OVER 100 FT ARE TO BE STOCKED IN KIT FORM AS FOLLOWS
 PUT ITEMS 1, 2, 5, 6, 9 AND 1 (ONE) COPY OF THIS PRINT INTO PLASTIC BAG (ITEM #10) FOLD OVER CABLE (ITEM #3) AND STAPLE TOGETHER.
 8. REMOVE ITEM 6 FOR CONNECTION TO UNITS WITHOUT CABLES I.E. VT05, VT100, ETC.



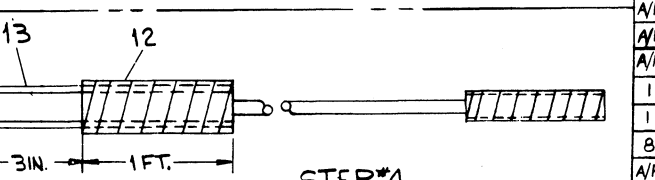
STEP #1
 INSTALL ITEM #4, #7 AND #8 TO ITEM #3 (CABLE) PER WIRE TABLE



STEP #2
 COVER BOTH ENDS WITH ITEM #11 (TUBING, HEAT SHRINK) PER ABOVE DIM'S



STEP #3
 COVER BOTH ENDS WITH ITEM #12 (TAPE) PER ABOVE DIM'S



STEP #4
 INSTALL ITEM #13 TO ITEM #3 BY USING ITEM #12 (TAPE) PER ABOVE DIM'S. THE WIRE LOOP AT END OF CABLE IS USED TO PULL CABLE THRU CONDUIT PIPE, AT INSTALLATION.

QTY	DESCRIPTION	DWG/PART NO.	ITEM NO.
13	WIRE #14 AWG (2 FT. IN LG)	9107370-00	13
11	TAPE (ROLL)	9009507	11
12	TUBING (HEAT SHRINK)	9107252-00	12
10	BAG, PLASTIC	9905129-21	10
9	TOOL, INSERT/EXTRACT	4700024	9
8	SOCKET #22	1212583-0	8
7	TUBING #18 GA (NAT)	9107278-11	7
6	SPACER #4-40 X.25 LG.	9008498	6
5	SCR. RETAINER (MALE)	9009722	5
4	SOCKET #18-20	1212583-1	4
3	CABLE	9107723	3
2	HOOD	1210493-50	2
1	PLUG	1211354	1

DESCRIPTION	DWG/PART NO.	ITEM NO.
BC03M-H5		
BC03M-L0		
BC03M-E0		
BC03M-B5		
BC03M-A0		
BC03M-01		

THIRD ANGLE PROJECTION

REMOVE BURRS AND BREAK SHARP CORNERS

DO NOT SCALE DWG

MATERIAL SEE PARTS LIST

FINISH

DRN: [Signature]

CHK: [Signature]

ENG: [Signature]

PROJ: [Signature]

PROF: [Signature]

NEXT HIGHER ASSY.

SCALE 1/1

SHEET 1 OF 1

FIRST USED ON

TITLE

CORD, EXTENSION NULL MODEM

SIZE CODE D IA BC03M-0-0

REV. D

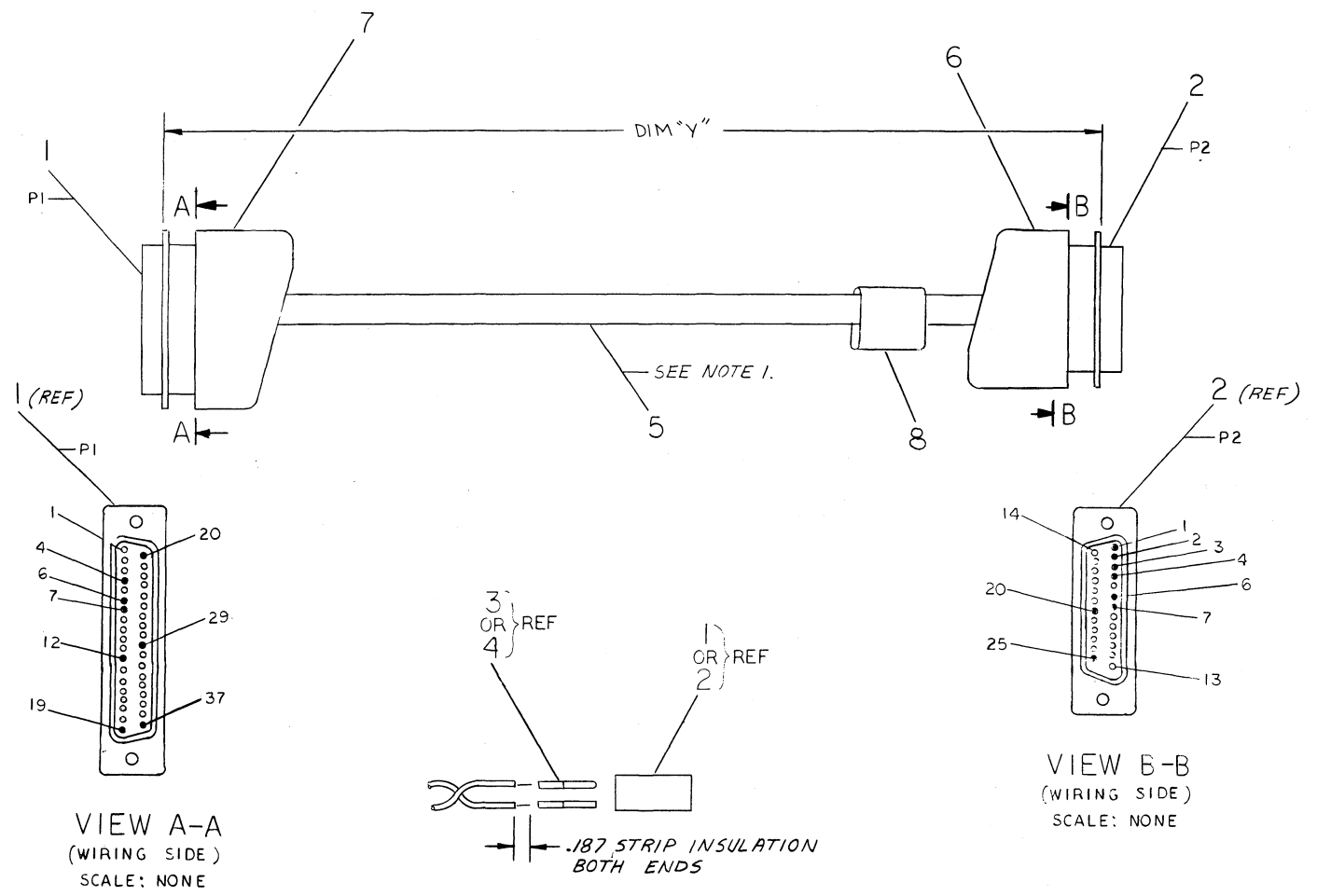
REV.	DESCRIPTION	DATE
1	INITIAL RELEASE	10-01-75
2	REVISED TO ADD 18 GA TUBING	10-01-75
3	REVISED TO ADD 18 GA TUBING	10-01-75
4	REVISED TO ADD 18 GA TUBING	10-01-75
5	REVISED TO ADD 18 GA TUBING	10-01-75
6	REVISED TO ADD 18 GA TUBING	10-01-75
7	REVISED TO ADD 18 GA TUBING	10-01-75
8	REVISED TO ADD 18 GA TUBING	10-01-75

"THIS DRAWING AND SPECIFICATIONS, HEREIN, ARE THE PROPERTY OF DIGITAL EQUIPMENT CORPORATION AND SHALL NOT BE REPRODUCED OR COPIED OR USED IN WHOLE OR IN PART AS THE BASIS FOR THE MANUFACTURE OR SALE OF ITEMS WITHOUT WRITTEN PERMISSION. COPYRIGHT © 1978, DIGITAL EQUIPMENT CORPORATION"

WIRE TABLE						
ITEM NO.	DESCRIPTION	FROM		TO		REMARKS
		CONN	WITH	CONN	WITH	
5	22	BLK	P1-37	ITEM 3	P2-1	ITEM 4
5	22	RED	P1-4	ITEM 3	P2-2	ITEM 4
5	22	WHT	P1-6	ITEM 3	P2-3	ITEM 4
5	22	GRN	P1-7	ITEM 3	P2-4	ITEM 4
5	22	BRN	P1-29	ITEM 3	P2-6	ITEM 4
5	22	GRY	P1-20	ITEM 3	P2-7	ITEM 4
5	22	BLU	P1-12	ITEM 3	P2-20	ITEM 4
5	22	ORN	P1-19	ITEM 3	P2-25	ITEM 4

LEGEND		
PART NO.	VARIATION	
	DIM. "Y"	
REMARKS		
BC44B-01	12.00 IN ± 1 IN	

NOTES:
1. THE YELLOW AND PURPLE CONDUCTORS ARE NOT USED, AND SHOULD BE CUT NEAR CABLE JACKET ON BOTH ENDS.



DESCRIPTION	DWG./PART NO.	ITEM NO.
1 LABEL, CABLE I.D.	3616073-00	8
1 HOOD, CONN. CABLE CLAMP	1214066-00	7
1 HOOD, HOUSING	1210493-50	6
A/R CABLE #22 AWG (10 COND)	3107623-00	5
8 CONTACT SOCKET, CRIMP	1210493-41	4
8 CONTACT PIN, CRIMP	1210493-39	3
1 CONN. HOUSING	1210493-32	2
1 CONN. PLUG 37 PIN	1214065-00	1

UNLESS OTHERWISE SPECIFIED DIMENSIONS ARE IN INCHES	
ANGLES 45° 30°	CLASS OF ACCURACY
SURFACE QUALITY IN	NOMINAL DIMENSION RANGE INCHES
MICROINCHES	

THIRD ANGLE PROJECTION	DRN. <i>[Signature]</i> 19 OCT 78	FIRST USED ON	11/44	digital
REMOVE BURRS AND BREAK SHARP CORNERS	CHK'D <i>[Signature]</i> 1/17/79	TITLE CABLE ADAPTER ASSEMBLY (TO EIA RS422 & RS423)		
DO NOT SCALE DWG	PROJ. ENG. <i>[Signature]</i> 1/23/79	SIZE CODE NUMBER		
MATERIAL SEE PARTS LIST	PROD. <i>[Signature]</i> 7/20/79	D I A BC44B-0-0		
FINISH	SHEET 1 OF 1	REV. A		

REV.	CHANGE NO.	DATE	BY	REASON
1	1	11/44	S. HOYLE	INITIAL D

D I A BC44B-0-0

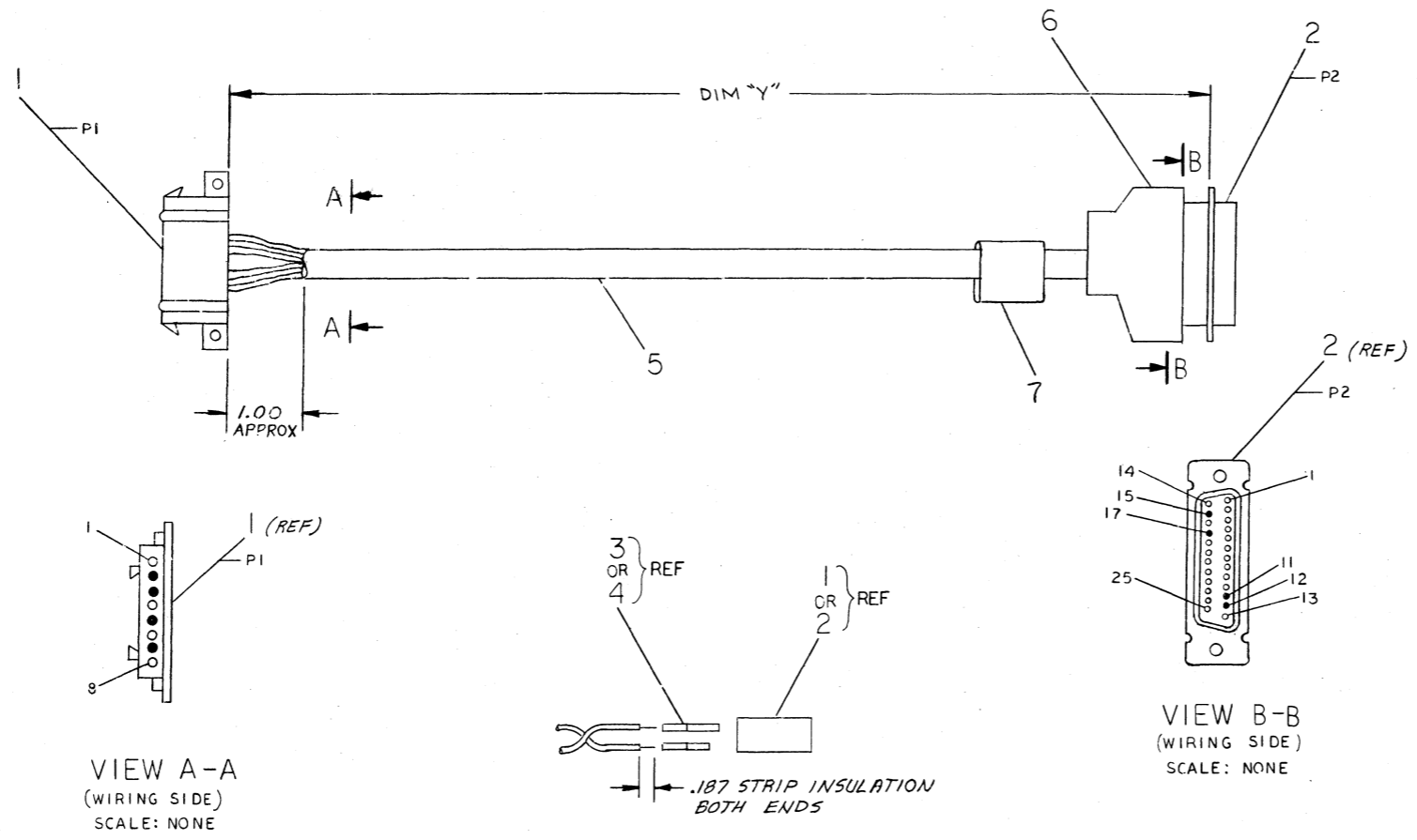
B

A

THIS DRAWING AND SPECIFICATIONS, HEREIN, ARE THE PROPERTY OF DIGITAL EQUIPMENT CORPORATION AND SHALL NOT BE REPRODUCED OR COPIED OR USED IN WHOLE OR IN PART FOR THE CONSTRUCTION OF ANY EQUIPMENT OR FOR THE REPRODUCTION OF THIS DRAWING OR SALE OF IT, WITHOUT WRITTEN PERMISSION.
 COPYRIGHT © 1973, DIGITAL EQUIPMENT CORPORATION

WIRE TABLE						
ITEM NO.	DESCRIPTION	FROM		TO		REMARKS
		AWG	COLOR	CONN.	WITH	
5	22	BLK	PI-2	ITEM 3	P2-11	ITEM 4
5	22	RED	PI-3	ITEM 3	P2-12	ITEM 4
5	22	WHT	PI-5	ITEM 3	P2-15	ITEM 4
5	22	GRN	PI-7	ITEM 3	P2-17	ITEM 4

LEGEND		
PART NO.	VARIATION	REMARKS
BC44C-01	12.00 IN ± 1 IN	



DESCRIPTION	DWG./PART NO.	ITEM NO.
1 LABEL, CABLE I.D.	3616073-00	7
1 CONN JUNCTION SHELL	1210493-50	6
M/R CABLE #22AWG (4 COND)	9107706-00	5
4 CONTACT, SOCKET CRIMP	1210493-41	4
4 M/N/L PIN, SOCKET 30-22AWG	1209379-03	3
1 CONN RECPT 25 SOCKET	1210493-32	2
1 MATE-N-LOCK, B PIN, HOUSING, SKT	1209340-00	1

UNLESS OTHERWISE SPECIFIED DIMENSIONS ARE IN INCHES	
ANGLES 50° 30'	CLASS OF ACCURACY
SURFACE QUALITY IN	NOMINAL DIMENSION RANGE INCHES
QUANTITY & VARIATION	OVER 0 TO 0.2
	OVER 0.2 TO 1.2
	OVER 1.2 TO 4.0
	OVER 4.0 TO 12.0
	OVER 12.0 TO 40.0
	OVER 40.0 TO 80.0
	OVER 80.0 TO 100.0
	OVER 100.0 TO 150.0
	OVER 150.0 TO 200.0
	OVER 200.0 TO 300.0
	OVER 300.0 TO 400.0
	OVER 400.0 TO 500.0
	OVER 500.0 TO 600.0
	OVER 600.0 TO 700.0
	OVER 700.0 TO 800.0
	OVER 800.0 TO 900.0
	OVER 900.0 TO 1000.0

THIRD ANGLE PROJECTION	DRN: [Signature] 11/44	FIRST USED ON 11/44
REMOVE BURS AND BREAK SHARP CORNERS	CHK'D: [Signature] 11/44	TITLE: CABLE ADAPTER ASSEMBLY (TO 20MA)
DO NOT SCALE DWG	PRC.: ENG. [Signature] 11/44	SIZE CODE: D
MATERIAL SEE PARTS LIST	PROD.: [Signature] 11/44	NUMBER: IA
FINISH: [Symbol]	SCALE: 1/1	REV.: A
	SHEET 1 OF 1	DIST.:

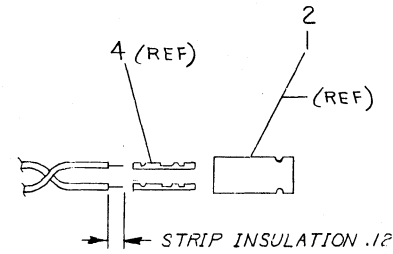
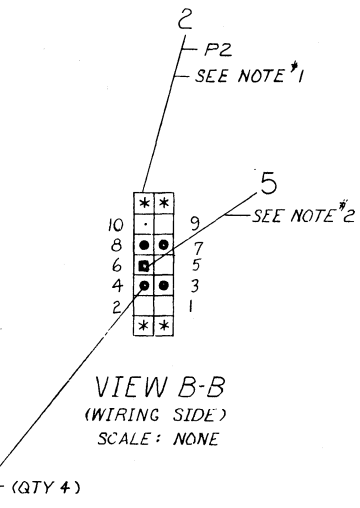
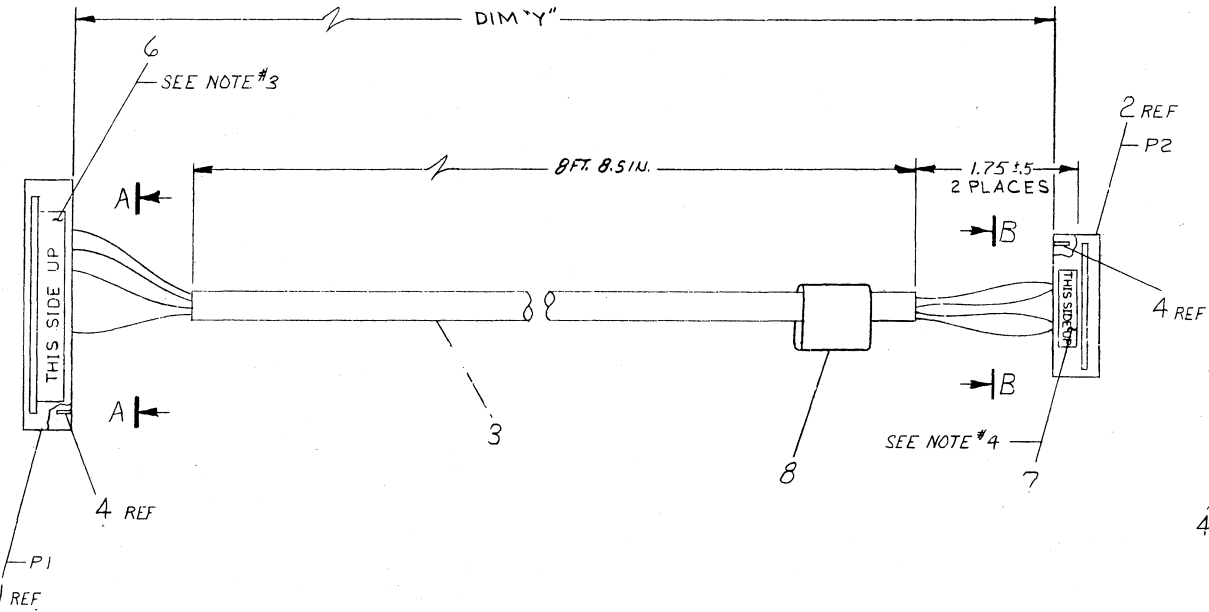
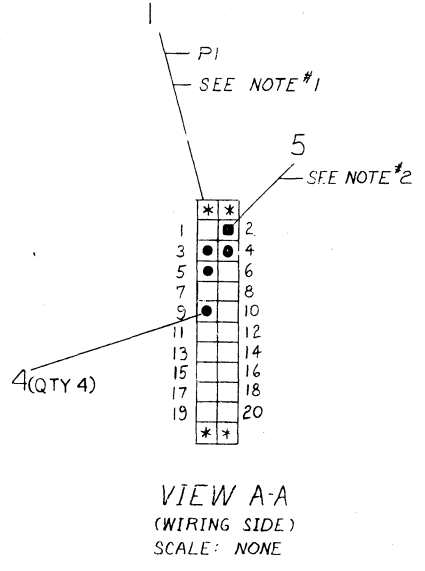
REV.	BY	DATE
1	S. HOYLE	11/44

"THIS DRAWING AND SPECIFICATIONS, HEREIN, ARE THE PROPERTY OF DIGITAL EQUIPMENT CORPORATION AND SHALL NOT BE REPRODUCED OR COPIED OR USED IN WHOLE OR IN PART AS THE BASIS FOR THE MANUFACTURE OR SALE OF ITEMS WITHOUT WRITTEN PERMISSION."
 COPYRIGHT © 1978, DIGITAL EQUIPMENT CORPORATION

WIRE TABLE							
ITEM NO.	DESCRIPTION	FROM		TO		REMARKS	
		AWG	COLOR	CONN	WITH		CONN
3	22	BLK	PI-3	ITEM 4	P2-7	ITEM 4	
3	22	RED	PI-4	↑	P2-8	↓	
3	22	WHT	PI-5	↓	P2-3	↑	
3	22	GRN	PI-9	ITEM 4	P2-4	ITEM 4	

LEGEND		
PART NO.	VARIATION	REMARKS
BC44D-09	9FT. ±2IN.	

- NOTES:
- LOCATIONS MARKED (*) IN VIEWS A-A AND B-B ARE NOT TO BE USED.
 - CONNS P1-2 AND P2-6 (ITEMS #1 AND #2) SHALL HAVE ONE KEY (ITEM #5) INSERTED AS SHOWN.
 - PLACE LABEL (ITEM #6) ON P1 CONNECTOR (ITEM #1) AS SHOWN.
 - PLACE LABEL (ITEM #7) ON P2 CONNECTOR (ITEM #2) AS SHOWN.



DESCRIPTION	DWG./PART NO.	ITEM NO.
1 LABEL, CABLE I.D.	3616073-00	8
1 LABEL (THIS SIDE UP) .50X.25	3611567-02	7
1 LABEL (THIS SIDE UP) 1.0X.25	3611567-01	6
2 KEY, DUMMY, POLAR.	9009140-00	5
8 SOCKET CRIMP CONTACT	1210089-07	4
A/R CABLE 22 AWG (4 COND)	9107706-00	3
1 TERM. HSG (14 POS)	1210918-30	2
1 TERM. HSG (24 POS)	1210918-25	1

CLASS OF ACCURACY (CHECK ONE)	NOMINAL DIMENSION RANGE INCHES					
	OVER 0 TO 0.2	OVER 0.2 TO 1.2	OVER 1.2 TO 4.0	OVER 4.0 TO 12.0	OVER 12.0 TO 40.0	OVER 40.0 TO 80.0
MEDIUM	±.004	±.008	±.012	±.016	±.024	±.04
PREFERRED	±.012	±.016	±.028	±.04	±.063	±.1

THIRD ANGLE PROJECTION

DRN: 21 E.L.L. 13 Nov 78
 CHK'D: J.P. 1/19/79
 ENG: T. G. 1/22/79
 PROJ. ENG: R. 3/16/79
 PROD: 1/22/79

FIRST USED ON 1/44 digital

TITLE: CABLE ASSY FOR TU58

MATERIAL: E-AD-7016719-0-0
 FINISH: SEE PARTS LIST

SIZE: D
 CODE: IA
 NUMBER: BC44D-0-0
 REV: *

QUANTITY & VARIATION

REMOVE BURRS AND BREAK SHARP CORNERS

DO NOT SCALE DWG

NEXT HIGHER ASSY.

SHEET 1 OF 1

REVISIONS
 NO. CHANGE NO.
 CHK
 REC 1098 NO. 880 198-C

